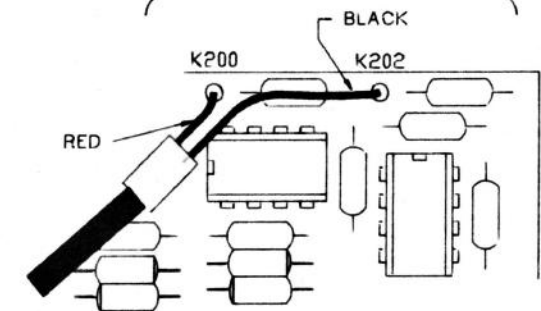
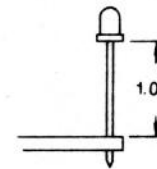
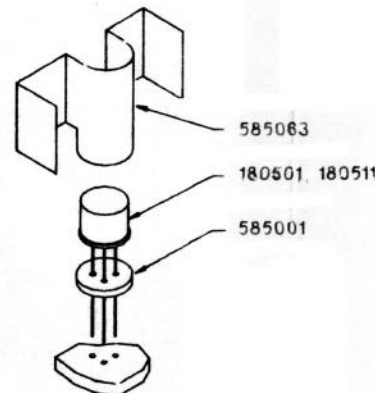
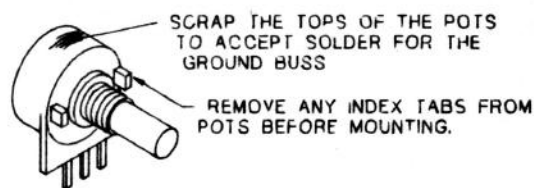
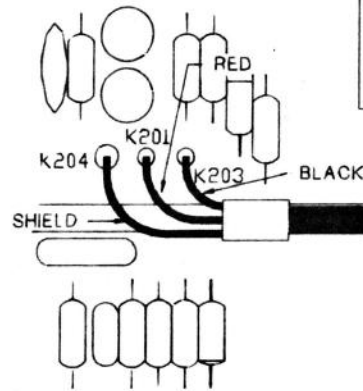
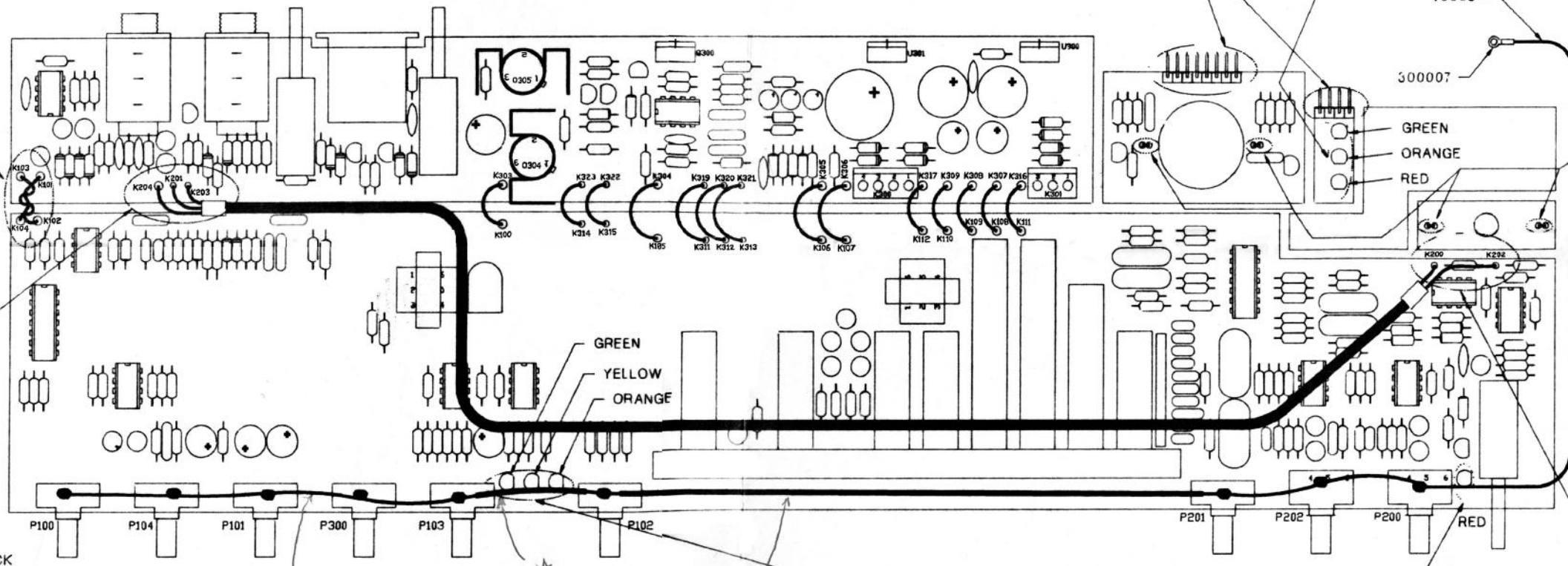
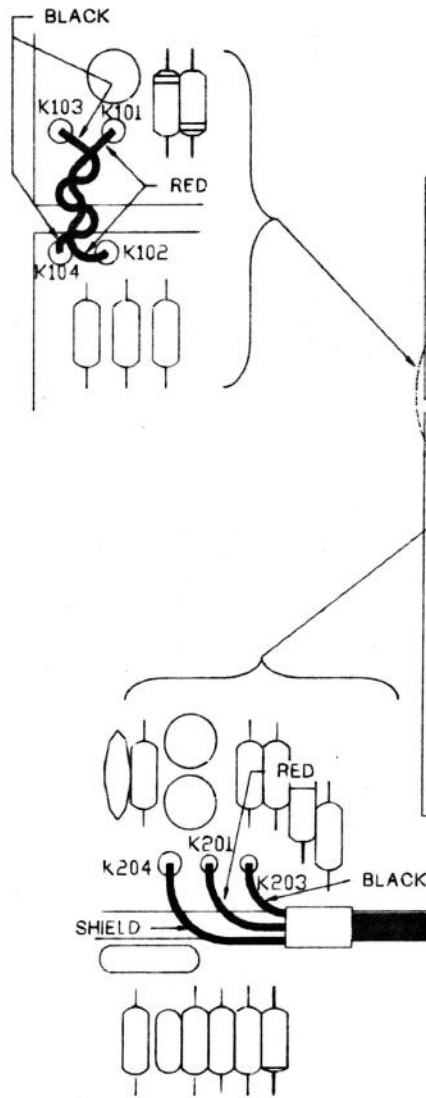
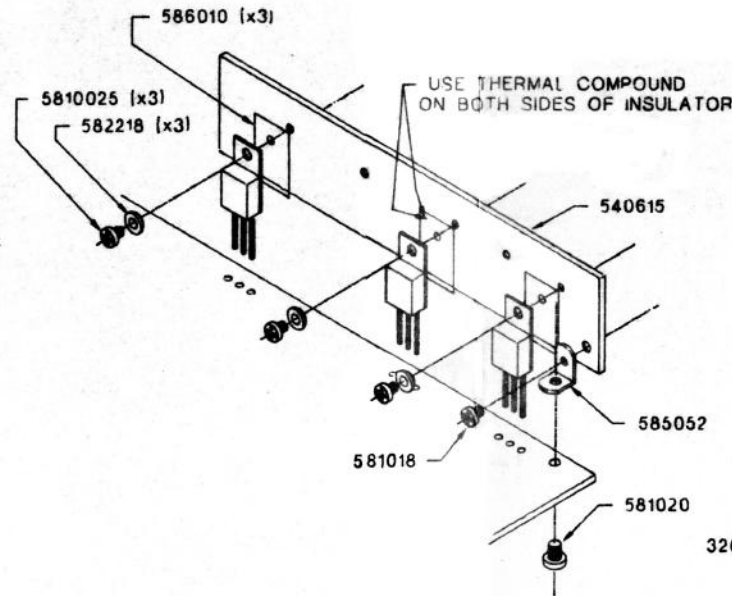


| REVISION HISTORY |     |                       |           |         |
|------------------|-----|-----------------------|-----------|---------|
| ZONE             | REV | DESCRIPTION           | SIGNATURE | DATE    |
|                  | A   | RELEASE               |           | 8/17/93 |
|                  | B   | ADD POT BUSS + SOLDER |           |         |

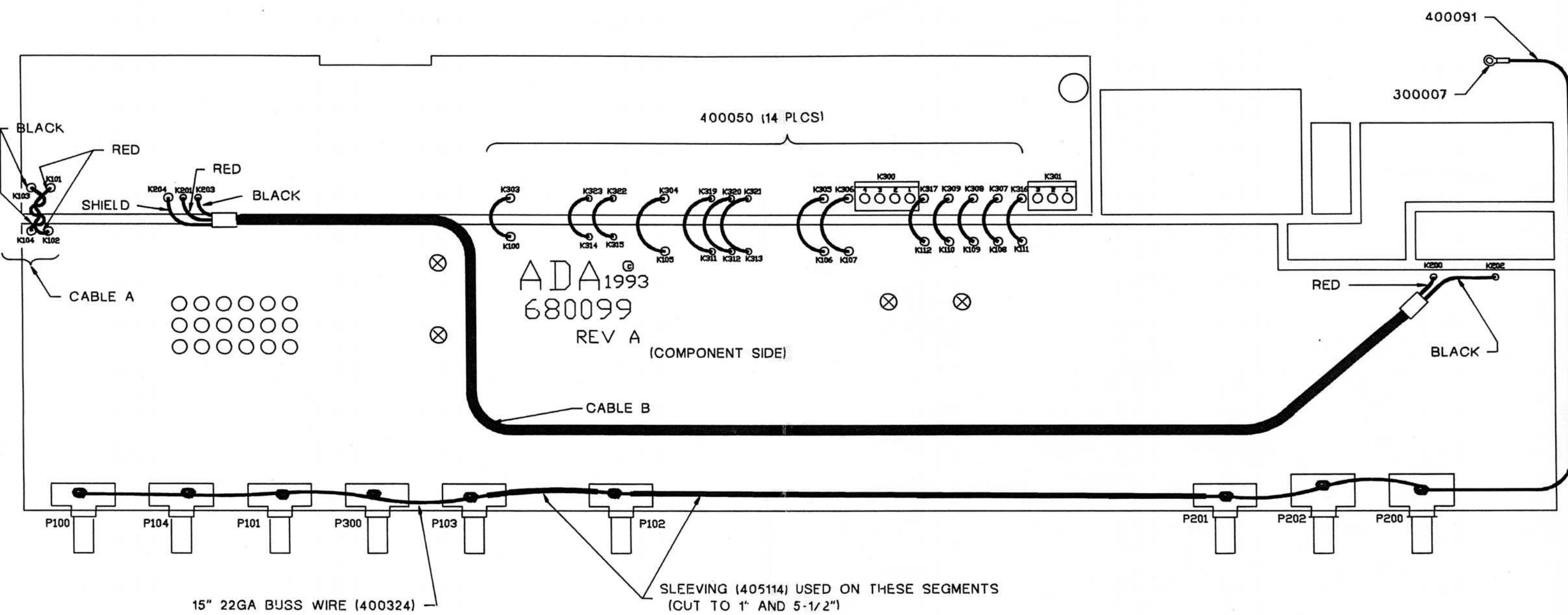
NOTES

1. INSTALL HEATSINK L-BRACKET BEFORE STUFFING PCB  
INSTALL COMPLETED HEATSINK ASSEMBLY BEFORE SOLDERING
2. SCUFF THE TOP OF THE POTS BEFORE INSTALLING, SO THAT THEY WILL ACCEPT SOLDER FOR THE GROUND BUSS. REMOVE INDEX TABS, IF ANY ARE PRESENT.



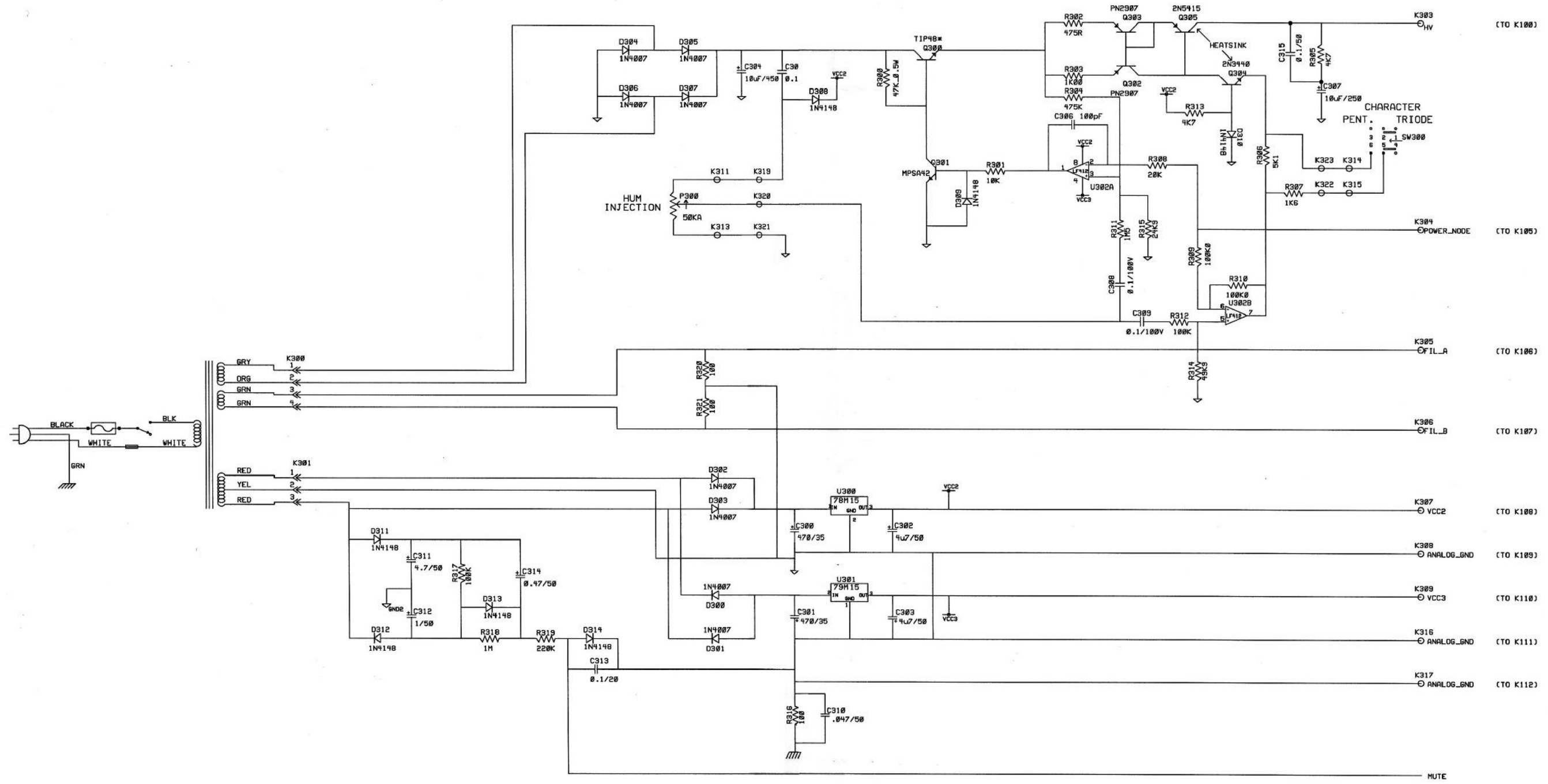
|  |       |                                |               |                 |
|--|-------|--------------------------------|---------------|-----------------|
| THIS DRAWING DOCUMENT CONTAINS INFORMATION WHICH IS PROPRIETARY TO AND THE PROPERTY OF ADA, INC. AND MAY NOT BE USED, REPRODUCED OR DISCLOSED IN ANY MANNER WITHOUT THE EXPRESSED CONSENT OF ADA, INC. |       |                                |               |                 |
| FILE NAME: C871A.DWG   |       | TITLE: AMPULATOR, PCB ASSEMBLY |               |                 |
| CHECKED BY:  | DATE: | DRAWN BY: D WIRT               | SIZE: C       | DRAWING NO: 871 |
| APPROVED BY:   | DATE: | ENGR:                          | DATE: 8/17/93 | REV: BA         |
| DATE:  |       | © COPYRIGHT 1993               | SCALE:        | SHEET 1 OF 1    |

| REVISION HISTORY |     |             |           |         |
|------------------|-----|-------------|-----------|---------|
| ZONE             | REV | DESCRIPTION | SIGNATURE | DATE    |
|                  | A   | RELEASE     |           | 8/10/93 |
|                  |     |             |           |         |



|  |  |  |                  |
|--|--|--|------------------|
| THIS DRAWING DOCUMENT CONTAINS INFORMATION WHICH IS PROPRIETARY TO AND THE PROPERTY OF ADA, INC. AND MAY NOT BE USED, REPRODUCED OR DISCLOSED IN ANY MANNER WITHOUT THE EXPRESSED CONSENT OF ADA, INC. |  | <b>ADA SIGNAL PROCESSORS, INC.</b><br>420 LESSER STREET, OAKLAND, CA 94601 |                  |
| FILE NAME: B864A.DWG   | TITLE AMPULATOR, PCB WIRING<br>DETAIL (780059) |  |                  |
| CHECKED BY:  | DRAWN: D.WIRT                                  | SIZE: <b>B</b>   | DRAWING NO.: 864 |
| DATE:  | ENGR:  | REV: <b>A</b>  |                  |
| APPROVED BY:   | DATE: 8/10/93                                  | SHEET 1 OF 1   |                  |
| DATE:  | SCALE:   |  |                  |

| REVISIONS |      |                            |         |          |
|-----------|------|----------------------------|---------|----------|
| ZONE      | REV. | DESCRIPTION                | DATE    | APPROVED |
|           | 1    | FIRST PROTOTYPE REVISIONS  | 5/26/93 |          |
|           | 2    | SECOND PROTOTYPE REVISIONS | 6/30/93 |          |
|           | A    | RELEASE                    | 9/15/93 |          |
|           | A1   | ECO 8899 - C315 ADDED      | 3/22/95 |          |
|           | A2   | ECO 8996 - C310 CHANGED    | 3/27/95 |          |



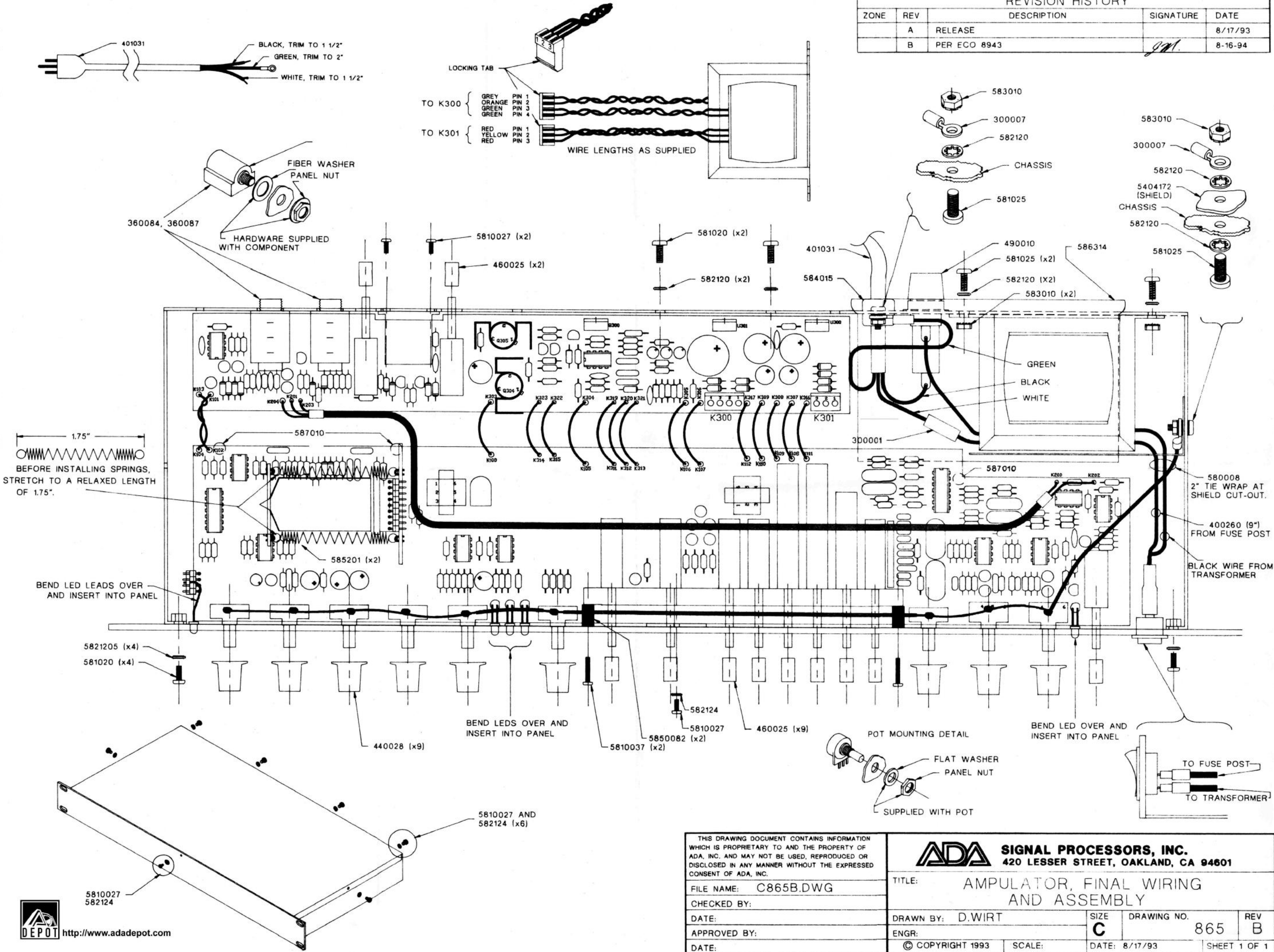
- K303 HV (TO K100)
- K304 POWER\_NODE (TO K105)
- K305 FILA (TO K106)
- K306 FIL\_B (TO K107)
- K307 VCC2 (TO K108)
- K308 ANALOG\_GND (TO K109)
- K309 VCC3 (TO K110)
- K310 ANALOG\_GND (TO K111)
- K311 ANALOG\_GND (TO K112)



|   |           |   |                     |
|---|-----------|---|---------------------|
| PROPRIETARY<br><small>THIS DRAWING DOCUMENT CONTAINS INFORMATION WHICH IS PROPRIETARY TO AND IS THE PROPERTY OF ADA SIGNAL PROCESSORS, INC. AND MAY NOT BE USED, REPRODUCED OR DISCLOSED IN ANY MANNER WITHOUT THE EXPRESSED WRITTEN CONSENT OF ADA SIGNAL PROCESSORS, INC.</small> |           | ADA SIGNAL PROCESSORS, INC.<br>420 LESSER STREET<br>OAKLAND, CA 94601 |                     |
| DATABASE FILE:<br>AMPUC_A2.DBF  |           | SCHEMATIC, AMPULATOR: POWER SUPPLY AND METER CIRCUITS                 |                     |
| CHECKED BY:   | ENGR: RTS | SIZE: D   | DRAWING NUMBER: 812 |
| APPROVED:   | SCALE:    | DATE: 28-MAR-95   | SHEET 3 OF 3        |

PART NO. SHEET

| REVISION HISTORY |     |              |             |         |
|------------------|-----|--------------|-------------|---------|
| ZONE             | REV | DESCRIPTION  | SIGNATURE   | DATE    |
|                  | A   | RELEASE      |             | 8/17/93 |
|                  | B   | PER ECO 8943 | <i>J.M.</i> | 8-16-94 |

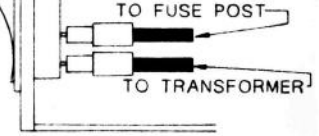
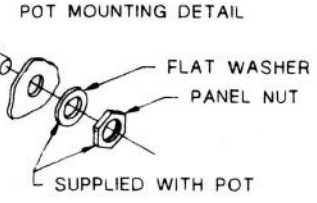


1.75"  
BEFORE INSTALLING SPRINGS,  
STRETCH TO A RELAXED LENGTH  
OF 1.75".

BEND LED LEADS OVER  
AND INSERT INTO PANEL

BEND LEDS OVER AND  
INSERT INTO PANEL

BEND LED OVER AND  
INSERT INTO PANEL

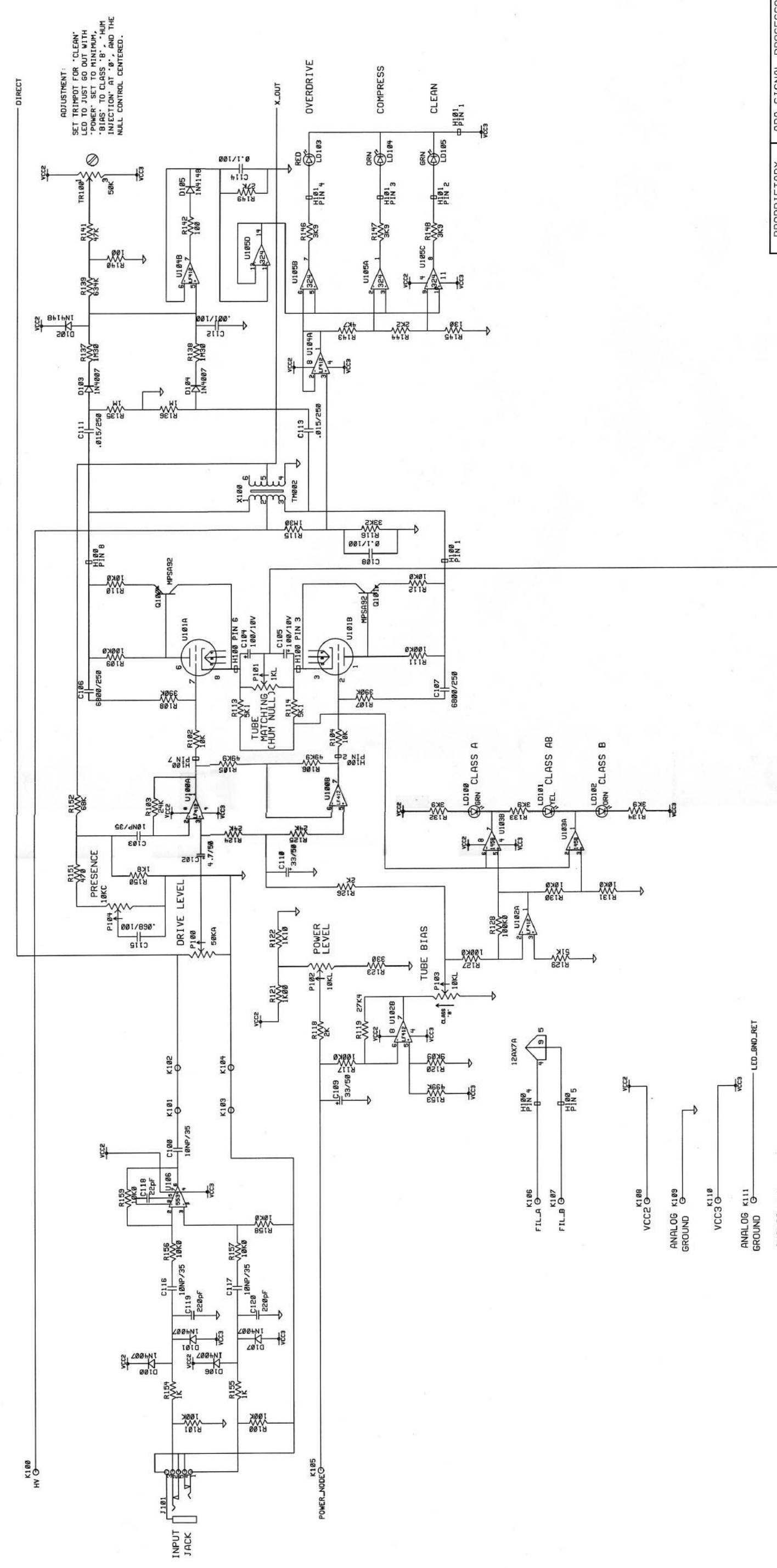


|  |   |  |                 |               |
|--|---|--|-----------------|---------------|
| THIS DRAWING DOCUMENT CONTAINS INFORMATION WHICH IS PROPRIETARY TO AND THE PROPERTY OF ADA, INC. AND MAY NOT BE USED, REPRODUCED OR DISCLOSED IN ANY MANNER WITHOUT THE EXPRESSED CONSENT OF ADA, INC. |   | <b>ADA SIGNAL PROCESSORS, INC.</b><br>420 LESSER STREET, OAKLAND, CA 94601 |                 |               |
| FILE NAME: C865B.DWG   | TITLE: AMPULATOR, FINAL WIRING AND ASSEMBLY |  |                 |               |
| CHECKED BY:  | DRAWN BY: D.WIRT                            | SIZE: C  | DRAWING NO. 865 | REV B         |
| DATE:  | ENGR:                                       | © COPYRIGHT 1993   | SCALE:          | DATE: 8/17/93 |
| APPROVED BY:   |   |  |                 | SHEET 1 OF 1  |

# MASTER 1

REVISIONS

| ZONE | REV. | DESCRIPTION                | DATE    | APPROVED |
|------|------|----------------------------|---------|----------|
|      | 1    | FIRST PROTOTYPE REVISIONS  | 5/16/93 |          |
|      | 2    | SECOND PROTOTYPE REVISIONS | 6/30/93 |          |
|      | A    | RELEASE                    | 9/15/93 |          |
|      | A1   | ECO 8899 - C105, C107      | 3/22/95 |          |
|      | A2   | ECO 8996                   | 3/28/95 |          |



PROPRIETARY  
THIS DRAWING DOCUMENT CONTAINS INFORMATION WHICH IS PROPRIETARY TO ADA SIGNAL PROCESSORS, INC. ANY REPRODUCTION OR DISCLOSURE IN ANY MANNER WITHOUT THE EXPRESS WRITTEN CONSENT OF ADA SIGNAL PROCESSORS, INC.

ADA SIGNAL PROCESSORS, INC.  
420 LESSER STREET  
OAKLAND, CA 94601

Schematic, Ampulator, Input, P/P Tube and Metering Circuits

DATABASE FILE: AMPUA\_A2.DBF

CHECKED BY: \_\_\_\_\_  
ENGR: RTS  
DRAWN: \_\_\_\_\_  
SCALE: \_\_\_\_\_

DATE: 28-MAR-93 SHEET 1 OF 3

INPUT JACK

POWER\_NODE

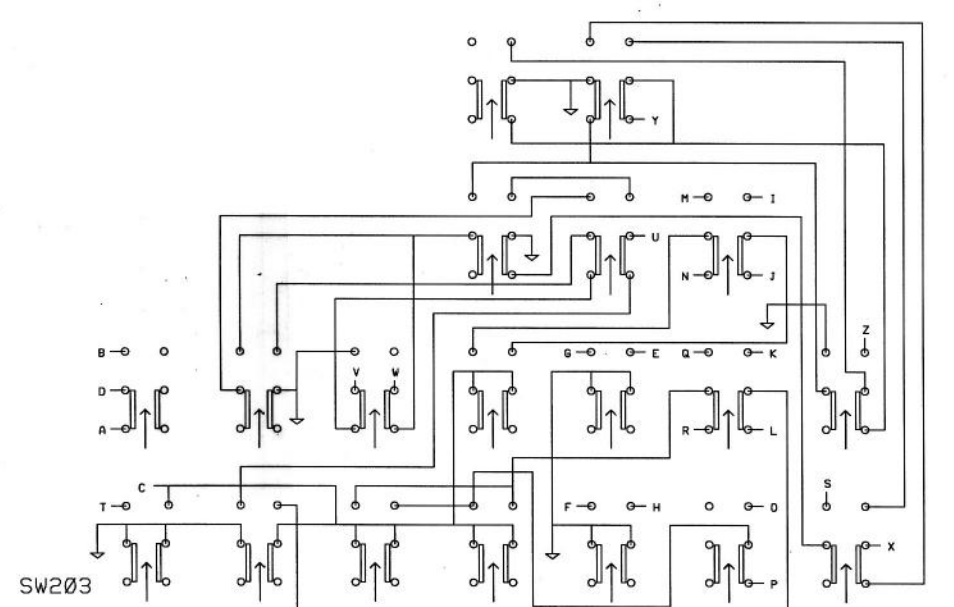
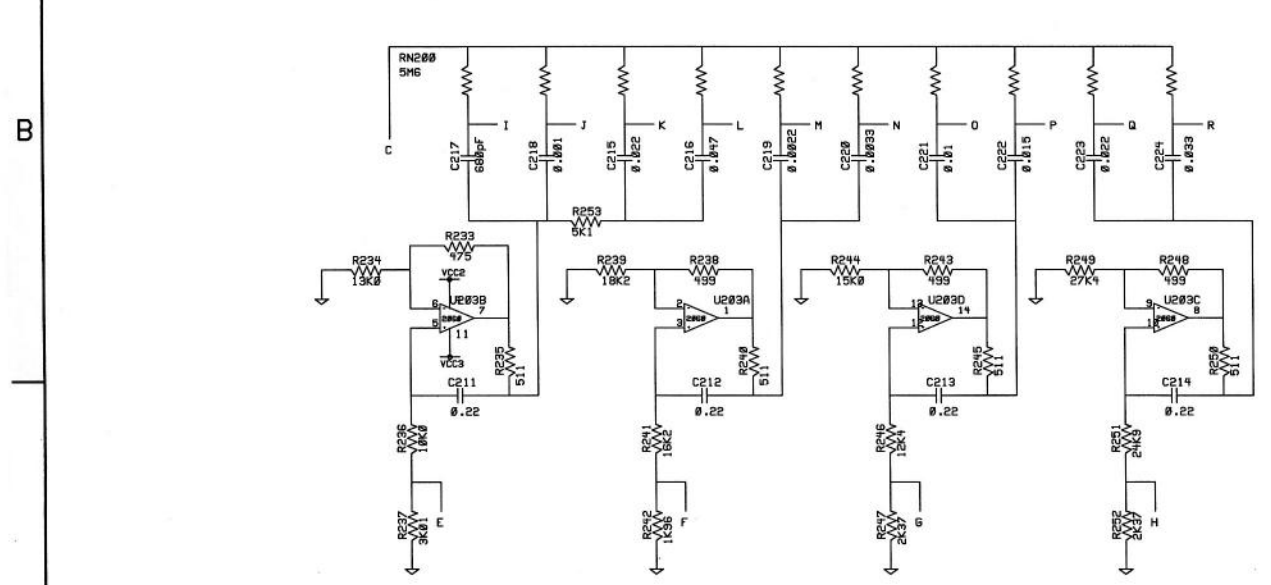
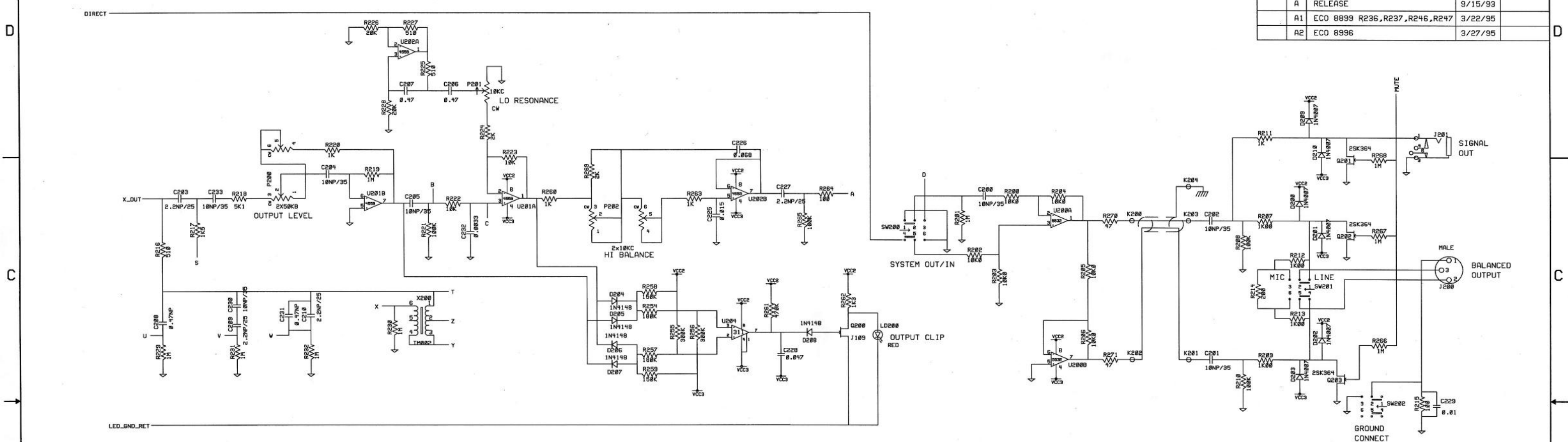
FIL\_A K106  
FIL\_B K107

VCC2 K108  
ANALOG GROUND K109  
VCC3 K110  
ANALOG GROUND K111  
ANALOG GROUND K112

LED\_BND\_RET

DEPOT <http://www.adadepot.com>

| REVISIONS |      |                              |         |          |
|-----------|------|------------------------------|---------|----------|
| ZONE      | REV. | DESCRIPTION                  | DATE    | APPROVED |
|           | 1    | FIRST PROTOTYPE REVISIONS    | 5/26/93 |          |
|           | 2    | SECOND PROTOTYPE REVISIONS   | 6/29/93 |          |
|           | A    | RELEASE                      | 9/15/93 |          |
|           | A1   | ECO 8899 R236,R237,R246,R247 | 3/22/95 |          |
|           | A2   | ECO 8996                     | 3/27/95 |          |



SPEAKER ARRAY  
 SIZE DRIVER CABINET  
 10" BRIGHT OPEN  
 12" DARK CLOSED

CABINET BYPASS 1 SPKR 2 SPKR 4 SPKR



|  |           |   |                     |
|--|-----------|---|---------------------|
| PROPRIETARY<br>THIS DRAWING DOCUMENT CONTAINS INFORMATION WHICH IS PROPRIETARY TO AND IS THE PROPERTY OF ADA SIGNAL PROCESSORS, INC. AND MAY NOT BE USED, REPRODUCED OR DISCLOSED IN ANY MANNER WITHOUT THE EXPRESSED WRITTEN CONSENT OF ADA SIGNAL PROCESSORS, INC. |           | ADA SIGNAL PROCESSORS, INC.<br>420 LESSER STREET<br>OAKLAND, CA 94601 |                     |
| DATABASE FILE:<br>AMPUB_A2.DBF   |           | SCHEM, AMPULATOR; METER, FILTERS, OUTPUT STAGE, SWITCH                |                     |
| CHECKED BY:  | ENGR: RTS | SIZE: D   | DRAWING NUMBER: 811 |
| APPROVED:  | SCALE:    | DATE: 28-MAR-95   | SHEET 2 OF 3        |

8

7

6

5

4

3

2

D

D

C

C

B

B

A

8

7

6

5

4

3

2

1

SHEET PART NO.