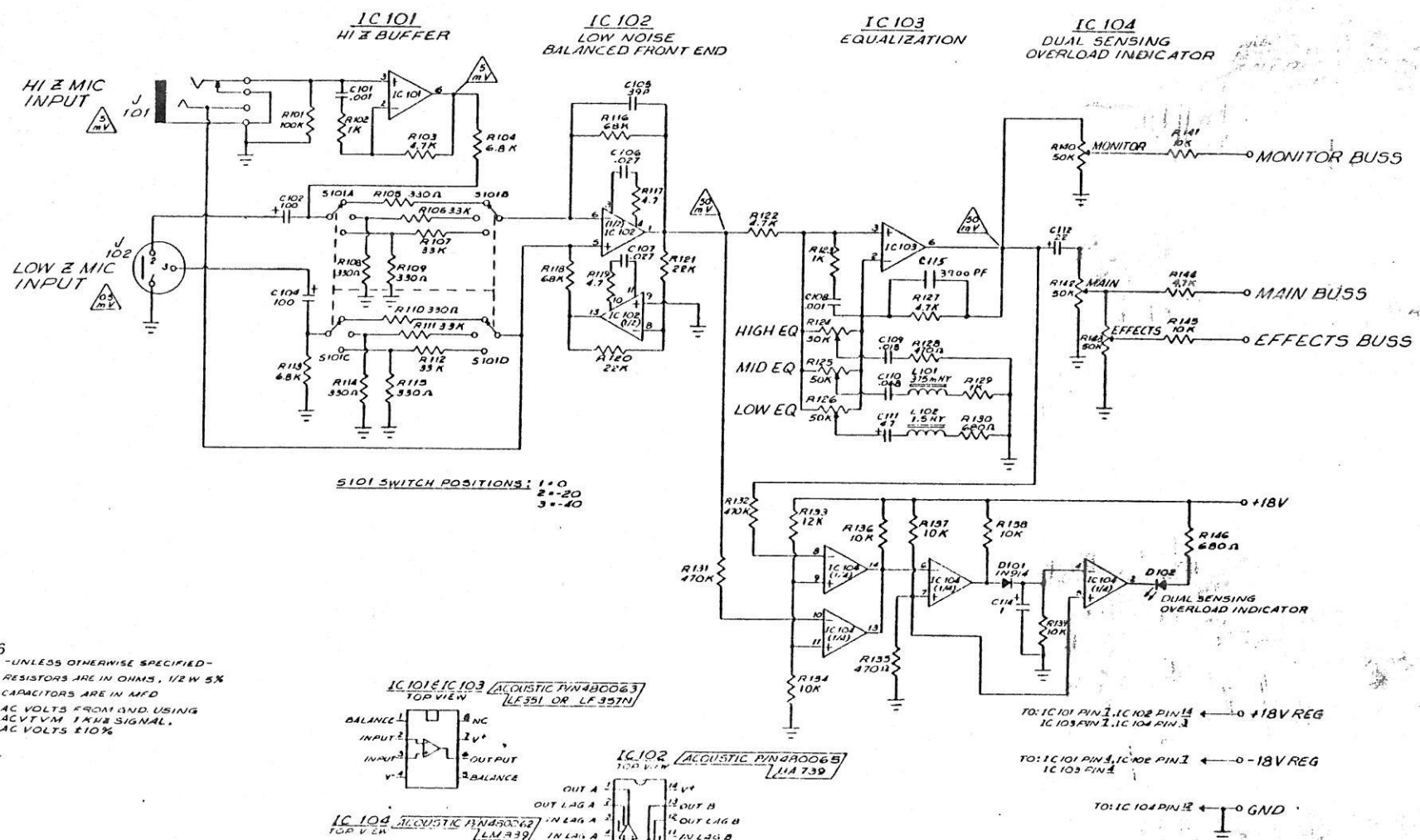


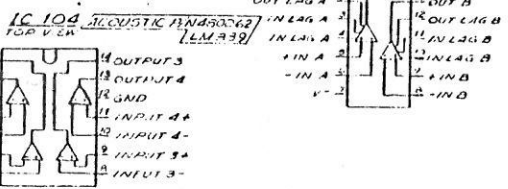
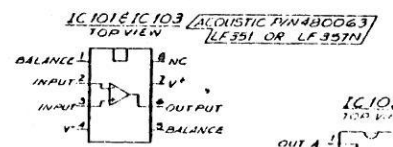
REV	DESCRIPTION	DATE	APPD
A	REVISED PER EGM 1737	5-3-79	
B	REVISED PER EGM 1740	7-6-79	

MODEL 911 CHANNEL 1-6



S101 SWITCH POSITIONS: 1=0, 2=-20, 3=-40

- NOTES**
 -UNLESS OTHERWISE SPECIFIED-
 1. ALL RESISTORS ARE IN OHMS, 1/2W 5%
 2. ALL CAPACITORS ARE IN MFD
 3. Δ AC VOLTS FROM GND, USING 40V/10M 1KHZ SIGNAL. AC VOLTS $\pm 10\%$



REFERENCE DESIGNATION	LAST	NOT USED
C 116		C 103, 113
IC 104		
J 102		
D 102		
R 146		
S 101		

170085	PC BOARD (REV 144)	UNLESS OTHERWISE SPECIFIED DIMENSIONS ARE IN INCHES TOLERANCES ARE	BY	DATE
170087	SCHEMATIC	PRECISION	DRW	5-3-79
170087	PC BD PWR AMP	INCHES	CHEKED	
170087	SCHEMATIC	MATERIAL	APPROVED	
		FINISH	acoustic control corp van dyke, calif 91406 TITLE SCHEMATIC 911 - PREAMP SHEET NO. D OF 1 PART NO. 1648 REV. B ROBERT SCALE THIS PRINT	

MODEL 911 MASTER

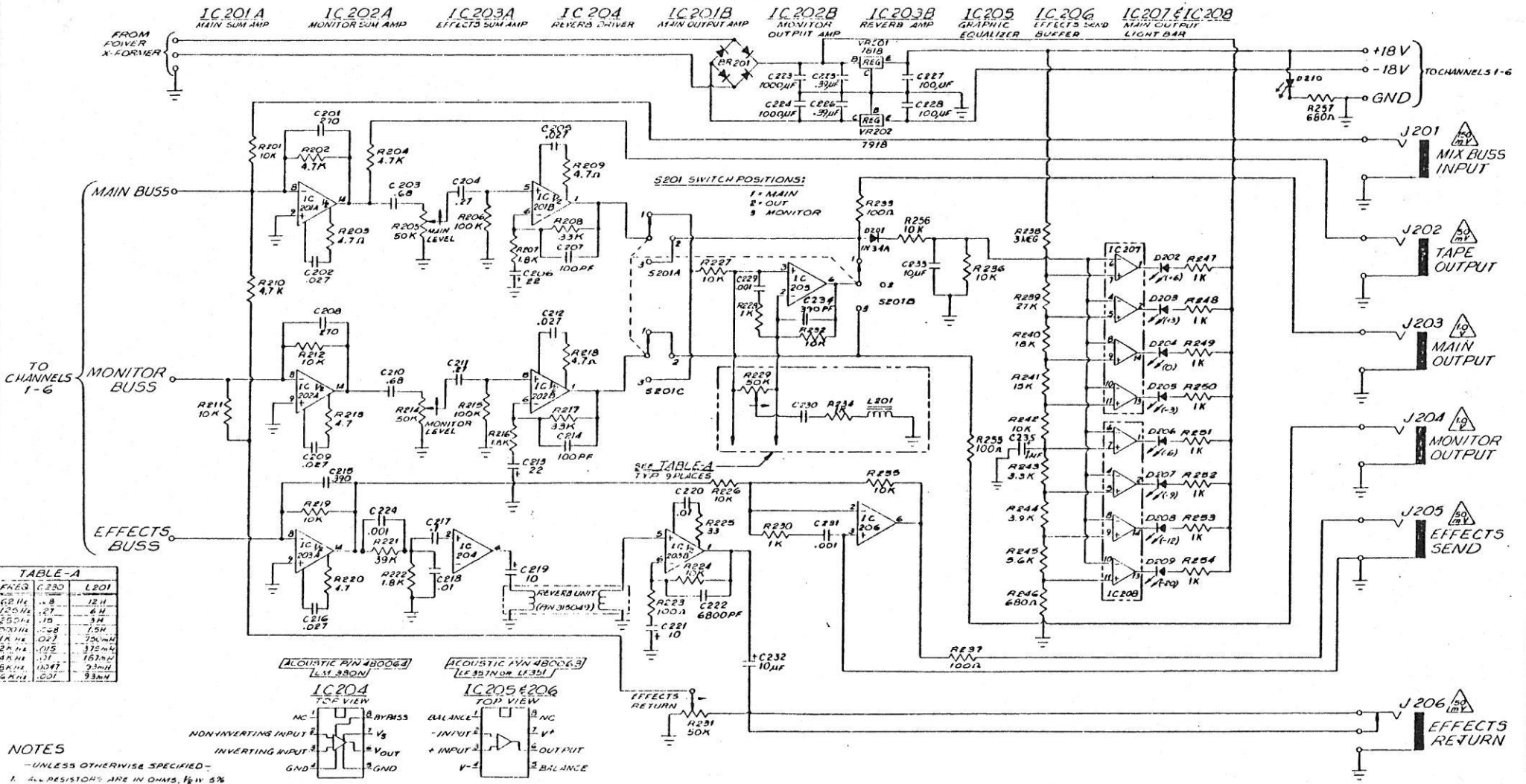
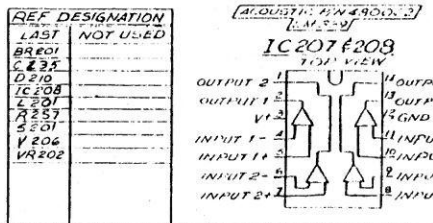
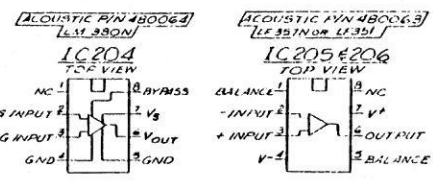


TABLE-A
TYPE 9 PLACES

FA203	C230	L201
62 Hz	.8	12 H
120 Hz	.27	6 H
250 Hz	.15	3 H
500 Hz	.08	1.5 H
1 K Hz	.027	.75 OHM
2 K Hz	.015	.375 OHM
4 K Hz	.007	.187 OHM
8 K Hz	.0035	.093 OHM
16 K Hz	.0017	.047 OHM

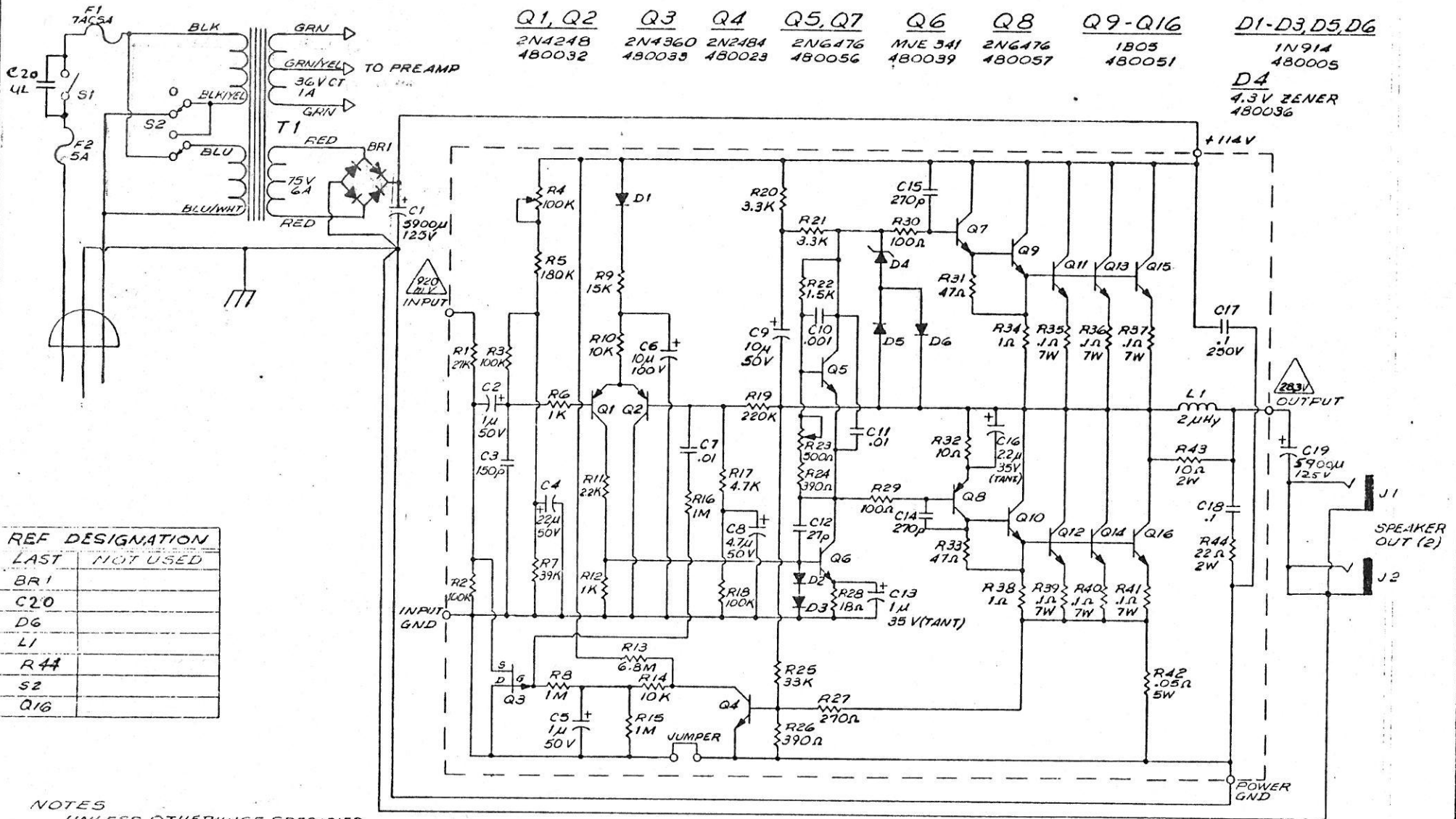
NOTES
- UNLESS OTHERWISE SPECIFIED -
1. ALL RESISTORS ARE IN OHMS, 1/4W 5%
2. ALL CAPACITORS ARE IN MFD.
3. Δ AC VOLTS FROM GND USING AC VOLTAGE 1 KHz SIGNAL AC VOLTS ±10%



B Revised Per ECN 1760		C L R	
A Revised Per ECNs 1677, 1695, 1738		S-24-77 145	
D 1648	SCHEMATIC, PWR AMP	DESIGNED BY	DATE
170065	AC BOARD PWR AMP	CHECKED BY	3-1-78
C 1676	SCHEMATIC, PWR AMP	APPROVED BY	
170087	PC BOARD PWR AMP	PROPRIETARY INFORMATION	
TITLE		SCHEMATIC	
PART NO.		911 MASTER SUM AMP	
DRAWING NO.		D	
CODE		PART NO. 1649	
REV		B	
DO NOT SCALE THIS PRINT			

acoustic control corp
van nuys, california 91408

MODEL 911 POWER AMP



Q1, Q2	Q3	Q4	Q5, Q7	Q6	Q8	Q9-Q16	D1-D3, D5, D6
2N4248	2N4360	2N2484	2N6476	MJE 341	2N6476	1B05	1N914
480032	480033	480023	480056	480039	480057	480051	480005
							D4
							4.3V ZENER
							480036

REF DESIGNATION	
LAST	NOT USED
BRI	
C20	
D6	
L1	
R44	
S2	
Q16	

- NOTES**
UNLESS OTHERWISE SPECIFIED
1. ALL RESISTORS ARE IN OHMS, $\frac{1}{2}$ W 5%
 2. ALL CAPACITORS ARE IN MFD
 3. Δ = AC VOLTS FROM GND USING AC VTVM 1K HZ SIGNAL AC V. $\pm 10\%$

170087 PCB POWER AMP

UNLESS OTHERWISE SPECIFIED DIMENSIONS ARE IN INCHES TOLERANCES ARE:

FRACTIONS \pm ANGLES \pm
DECIMALS HOLES

MATERIAL:

PRE-FINISH:

FINISH:

BY DATE
DRAWN *[Signature]* 5/30/78
CHECKED *[Signature]* 5/30/78
APPROVED *[Signature]* 5/30/78

PROPRIETARY INFORMATION
ALL INFORMATION CONTAINED IN THIS DOCUMENT IS THE PROPERTY OF acoustic control corp. AND IS NOT TO BE DIVULGED OR EMPLOYED IN ANY WAY WITHOUT SPECIFIC APPROVAL FROM acoustic control corp.

acoustic control corp
van nuys, california 91406

TITLE SCHEMATIC M911
POWER AMP

SIZE C DRAWING NO. PART NO. 1676 REV B

B Added C20, Deleted R45
A Revised Per ECN 1747

6-14-78 MFS
5-31-78 HFS

NUMBER TITLE RELATED DOCUMENTS

SCALE: DO NOT SCALE THIS PRINT