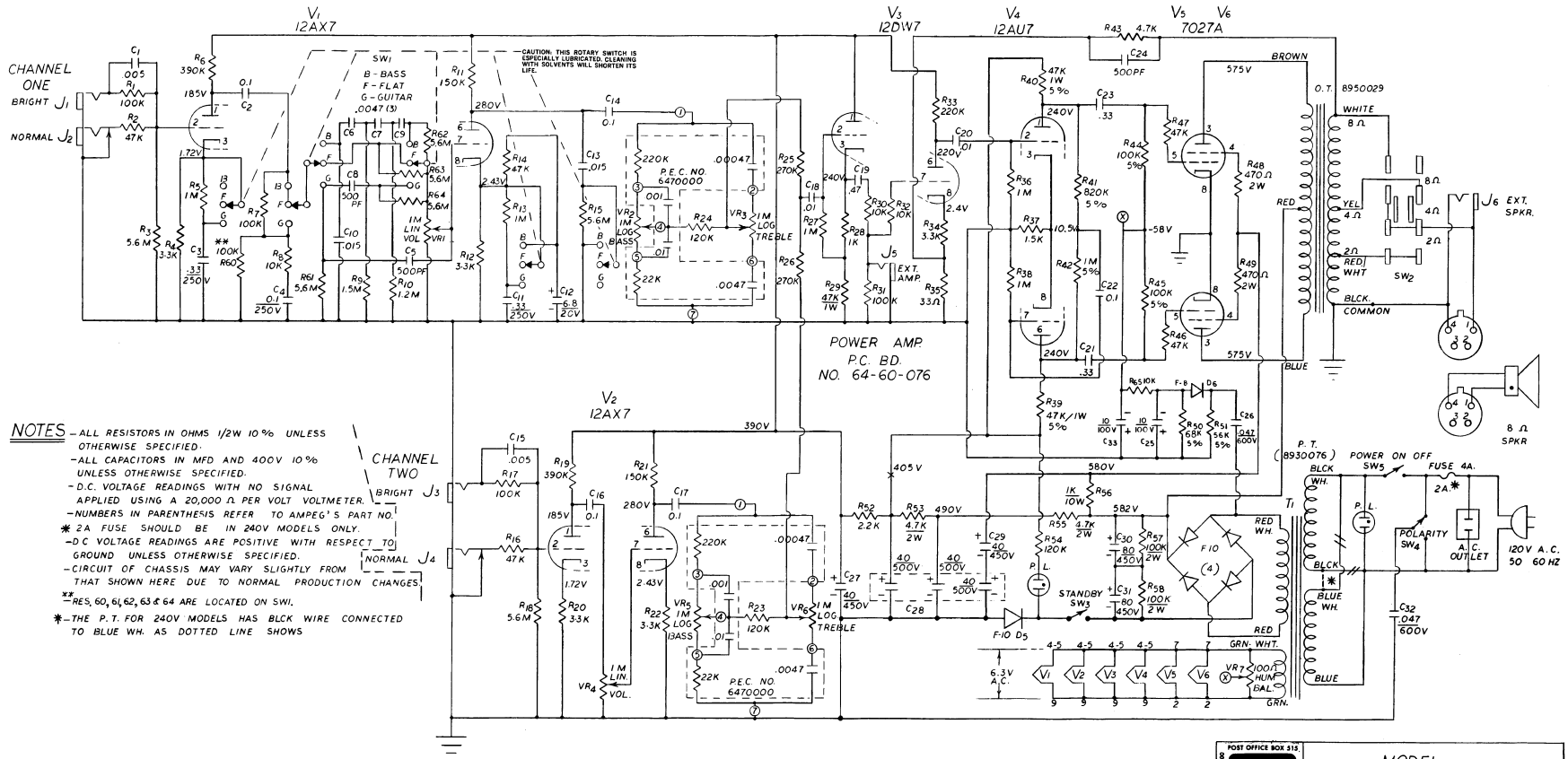



# B-15S (REV C)

# Ampeg



- NOTES**
- ALL RESISTORS IN OHMS 1/2W 10% UNLESS OTHERWISE SPECIFIED.
  - ALL CAPACITORS IN MFD AND 400V 10% UNLESS OTHERWISE SPECIFIED.
  - D.C. VOLTAGE READINGS WITH NO SIGNAL APPLIED USING A 20,000 Ω PER VOLT VOLTMETER.
  - NUMBERS IN PARENTHESIS REFER TO AMPEG'S PART NO.
  - \* 2A FUSE SHOULD BE IN 240V MODELS ONLY.
  - D.C. VOLTAGE READINGS ARE POSITIVE WITH RESPECT TO GROUND UNLESS OTHERWISE SPECIFIED.
  - CIRCUIT OF CHASSIS MAY VARY SLIGHTLY FROM THAT SHOWN HERE DUE TO NORMAL PRODUCTION CHANGES.
  - \*\* RES, 60, 61, 62, 63 & 64 ARE LOCATED ON SW1.
  - \* - THE P.T. FOR 240V MODELS HAS BLK WIRE CONNECTED TO BLUE WH. AS DOTTED LINE SHOWS

 <p>POST OFFICE BOX 319 LINDEN, NEW JERSEY 07036</p>	<b>MODEL B15S</b> U.S. PATENT PENDING			
	DRN. BY	DATE	DWG. NO.	PART NO.
	S.C.	3-71	06400	40102580
				REV. C