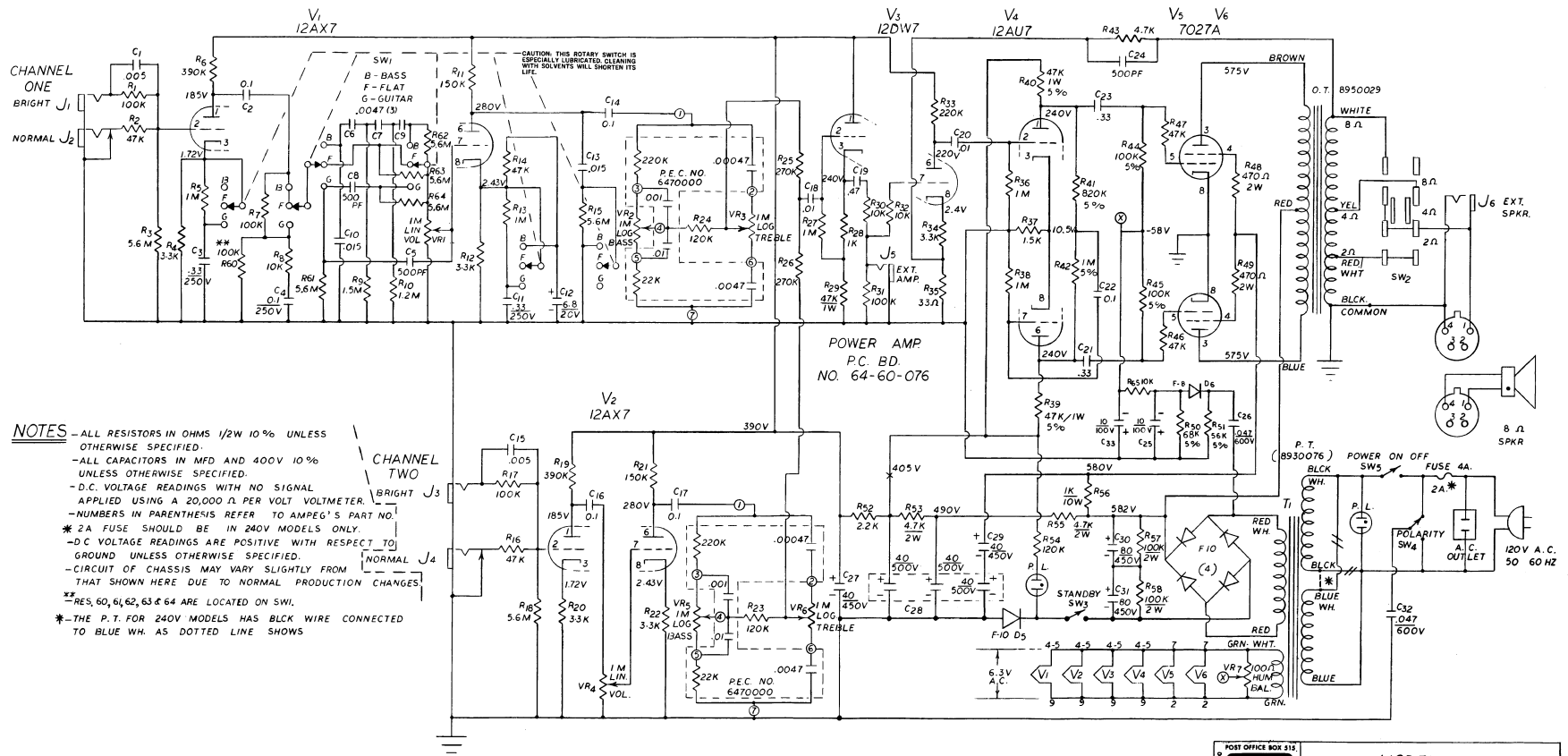



# B-15S (REV C)

# Ampeg



**NOTES**

- ALL RESISTORS IN OHMS 1/2W 10% UNLESS OTHERWISE SPECIFIED.
- ALL CAPACITORS IN MFD AND 400V 10% UNLESS OTHERWISE SPECIFIED.
- D.C. VOLTAGE READINGS WITH NO SIGNAL APPLIED USING A 20,000 Ω PER VOLT VOLTMETER.
- NUMBERS IN PARENTHESIS REFER TO AMPEG'S PART NO.
- \* 2A FUSE SHOULD BE IN 240V MODELS ONLY.
- D.C. VOLTAGE READINGS ARE POSITIVE WITH RESPECT TO GROUND UNLESS OTHERWISE SPECIFIED.
- CIRCUIT OF CHASSIS MAY VARY SLIGHTLY FROM THAT SHOWN HERE DUE TO NORMAL PRODUCTION CHANGES.
- \*\* RES. 60, 61, 62, 63 & 64 ARE LOCATED ON SW1.
- \* - THE P.T. FOR 240V MODELS HAS BLK WIRE CONNECTED TO BLUE WH. AS DOTTED LINE SHOWS



POST OFFICE BOX 319  
LINDEN, NEW JERSEY 07036

**MODEL B15S**  
U.S. PATENT PENDING

DRN. BY	DATE	DWG. NO.	PART NO.	REV.
S.C.	3-71	06400	40102580	C