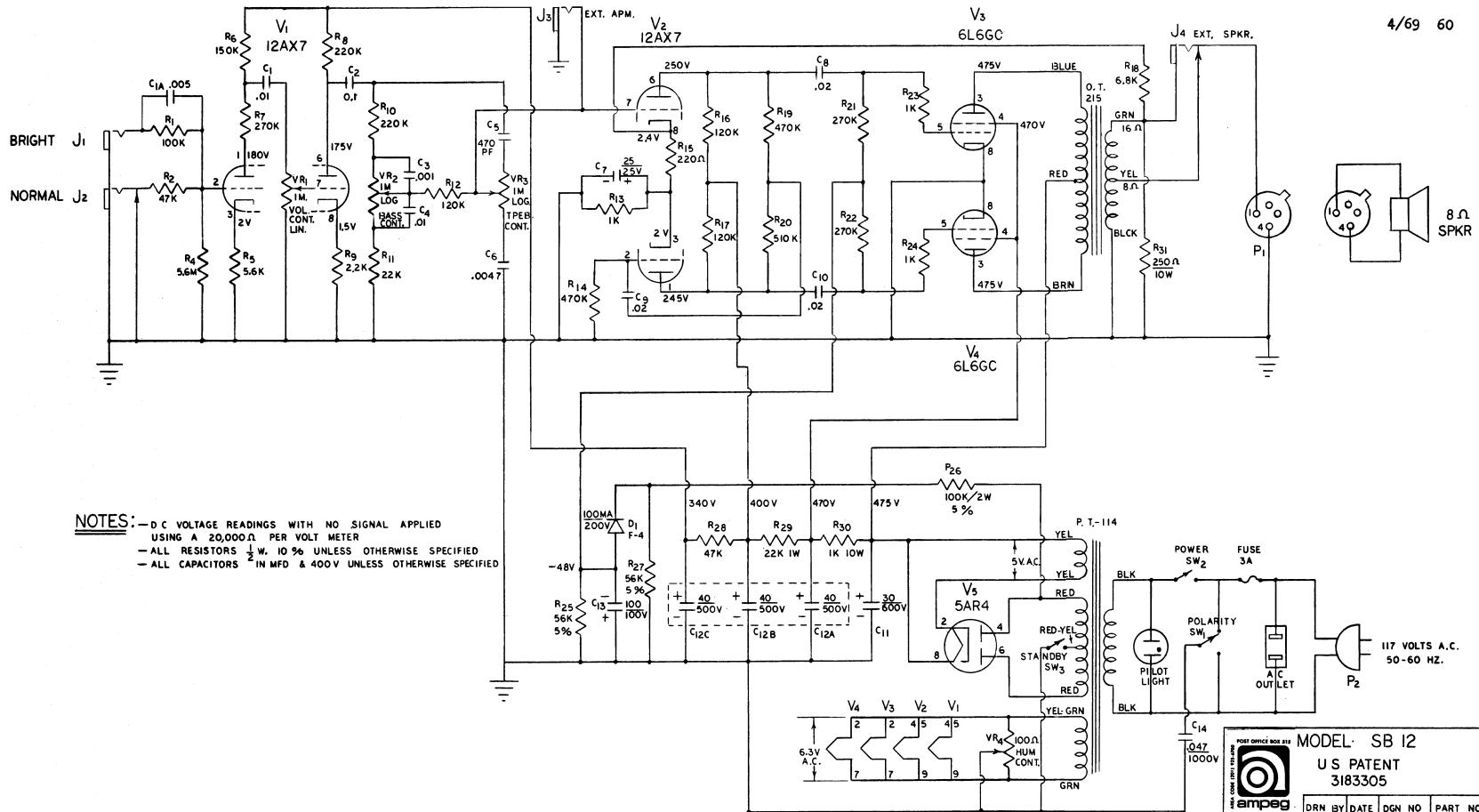


4/69 60



**NOTES:** - D.C. VOLTAGE READINGS WITH NO SIGNAL APPLIED USING A 20,000Ω PER VOLT METER  
 - ALL RESISTORS 1/2 W. 10% UNLESS OTHERWISE SPECIFIED  
 - ALL CAPACITORS 1/2 IN MFD & 400V UNLESS OTHERWISE SPECIFIED

MODEL: SB 12  
 U.S. PATENT 3183305

ampeg  
 LONDON NEW JERSEY

DRN BY	DATE	DGN NO	PART NO	REV
S C	569	04900	4010159	