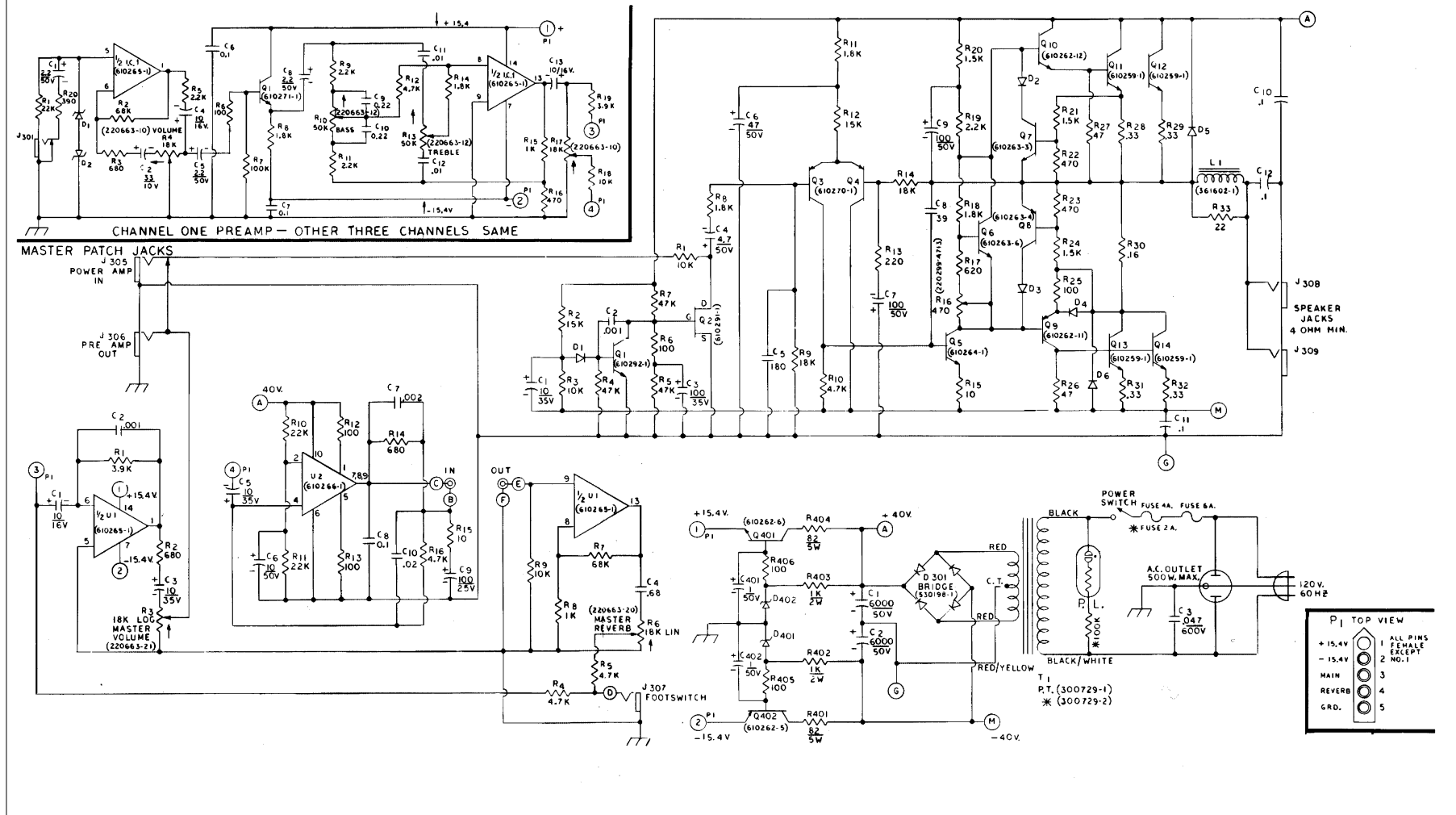


SR4

Ampeg

MODEL SR4 SCHEMATIC DIAGRAM



P1 TOP VIEW

| | | |
|--------|---|----------|
| +15.4V | 1 | ALL PINS |
| -15.4V | 2 | FEMALE |
| MAIN | 3 | EXCEPT |
| REVERB | 4 | NO.1 |
| GRD. | 5 | |