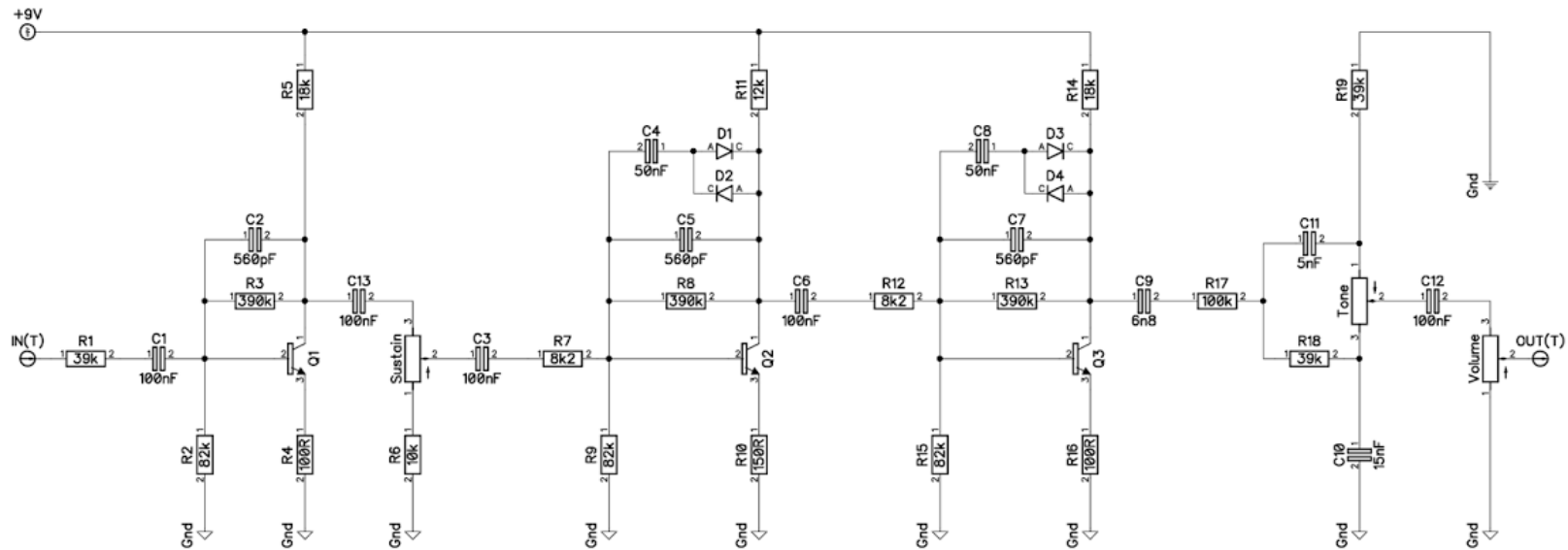


2

1

REVISIONS

ZONE	REV	DESCRIPTION	DATE	APPROVED
------	-----	-------------	------	----------



B

B

A

A

ARIA

<http://tagboardeffects.blogspot.co.uk>

Guitar FX Layouts

AWF-2

SIZE	FSCM NO.	DWG NO.	REV
------	----------	---------	-----

Super Fuzz Sustainer

SCALE	Sheet 1
-------	---------

2

1