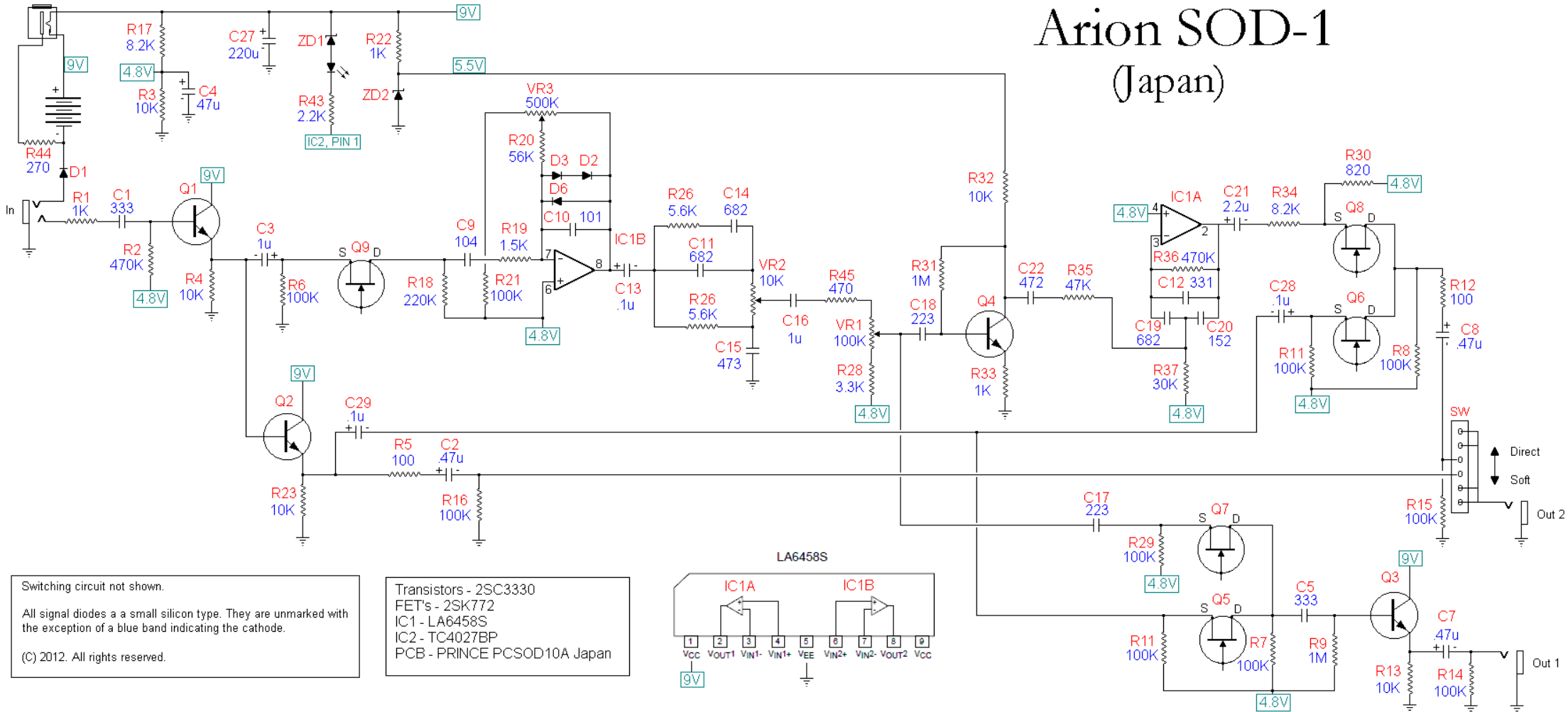


Arion SOD-1 (Japan)



Switching circuit not shown.
All signal diodes are a small silicon type. They are unmarked with the exception of a blue band indicating the cathode.
(C) 2012. All rights reserved.

Transistors - 2SC3330
FET's - 2SK772
IC1 - LA6458S
IC2 - TC4027BP
PCB - PRINCE PCSOD10A Japan

