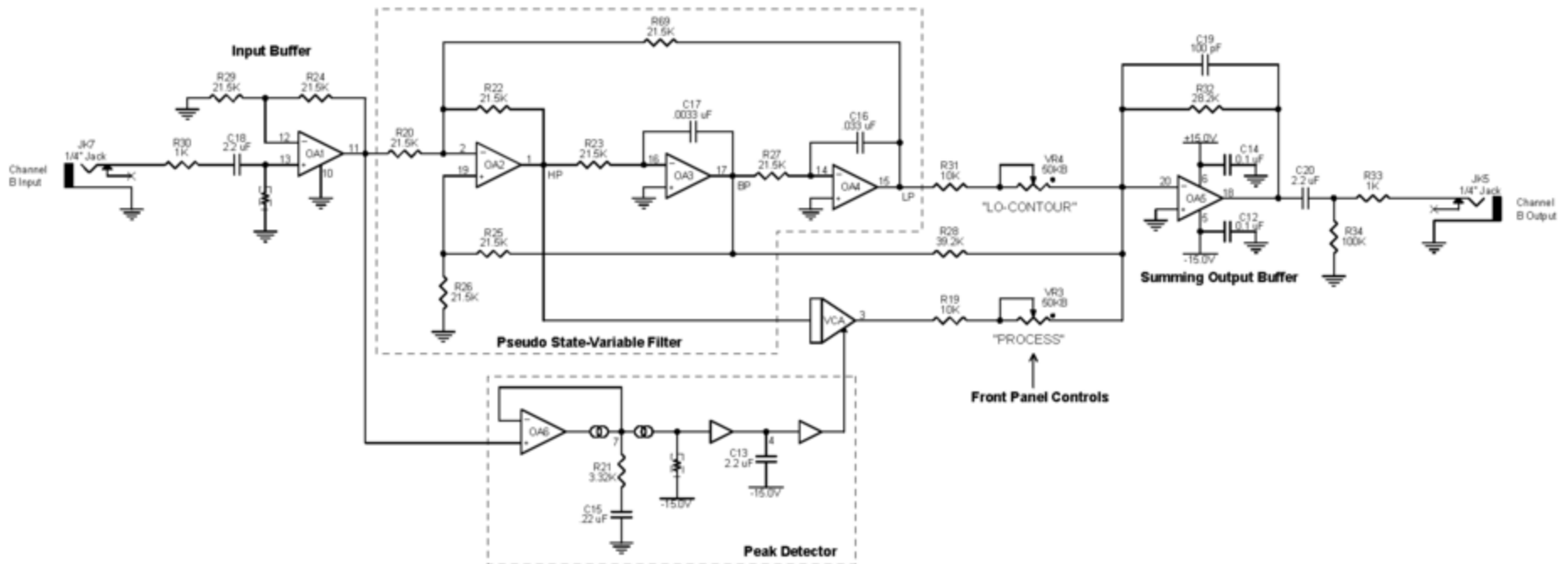


# BBE SONIC MAXIMIZER

## Model 482i - "B" Channel Audio Path



### Notes

The only active component is a 20-pin IC labeled "NUM2153" and is known as the BBE-PRO.  
 There is one NUM2153 IC per processing channel (two needed for stereo).  
 The NUM2153 is manufactured under license by NJR (New Japan Radio).  
 All components with a part number and value are discrete, external to the IC.  
 All component designators (C17, R26, etc.) were obtained from a BBE model 482i Sonic Maximizer schematic of the "B" channel.  
 This schematic shows the connections of the internal "guts" of the IC and the requisite external components.  
 Pin numbers refer to the pins on the NUM2153 IC package. Not all circuit elements are available outside the package.  
 All resistors are 1% tolerance. Capacitors less than 0.1 uF are 5% tolerance. Capacitors >= 0.1 uF are 20% tolerance.  
 The functionality of the BBE 482i could probably be reproduced with a few dollars worth of off-the-shelf parts.

radio-flir electronics

Documented by Tom Farrand

836 Galleon Lane Elk Grove Village, IL 60007-6921

Copyright (C) 2003, 2004 Radio-Flir Electronics. All Rights Reserved Worldwide

Title		
BBE SONIC MAXIMIZER		
Size	Document Number	Rev
B	Circuit Analysis of BBE 482i "B" Channel	0
Date	Wednesday, September 08, 2004	Sheet 1 of 1