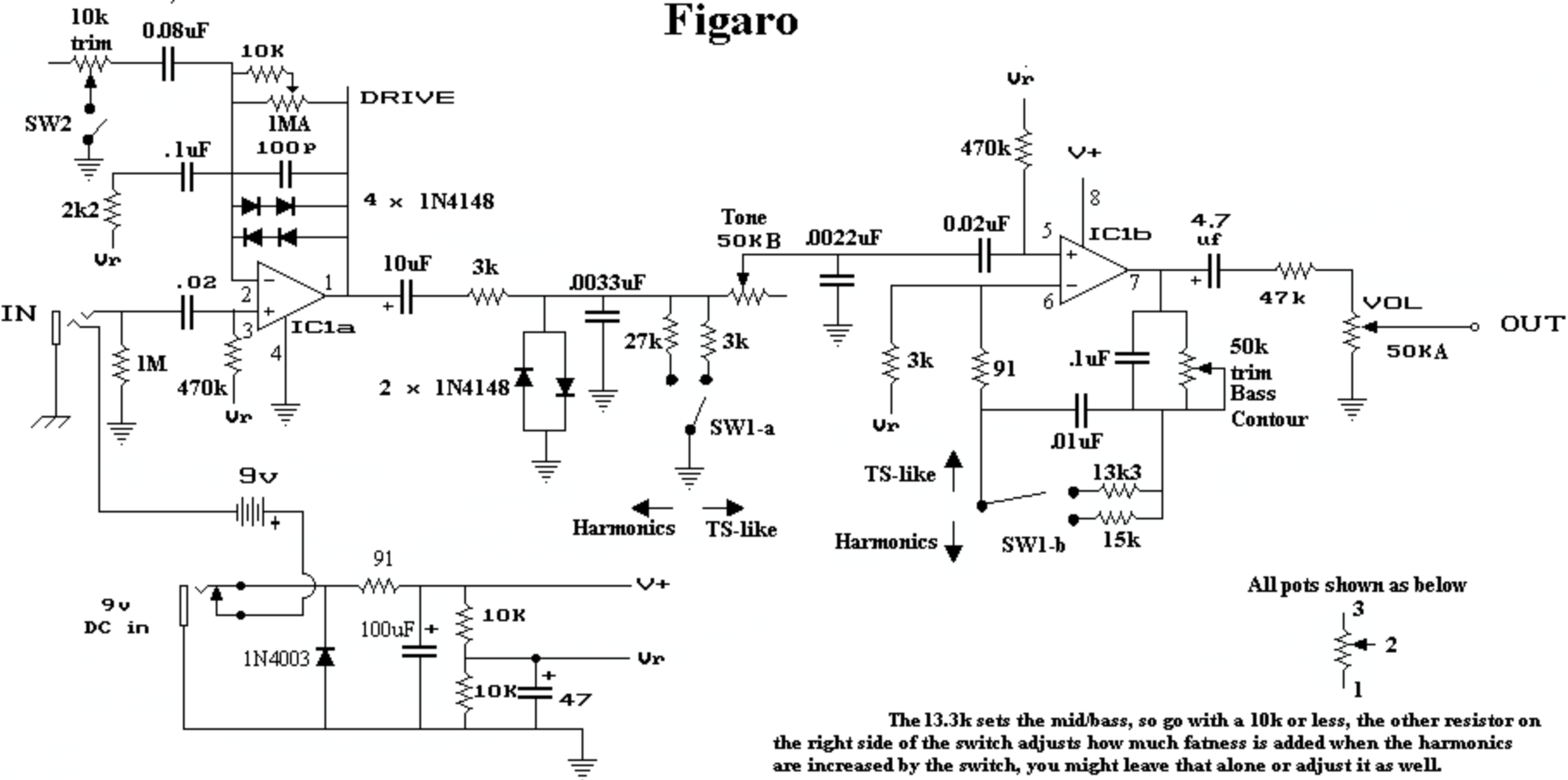
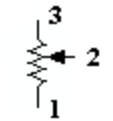


# Figaro

Presence Preset/ Switch



All pots shown as below



The 13.3k sets the mid/bass, so go with a 10k or less, the other resistor on the right side of the switch adjusts how much fatness is added when the harmonics are increased by the switch, you might leave that alone or adjust it as well.