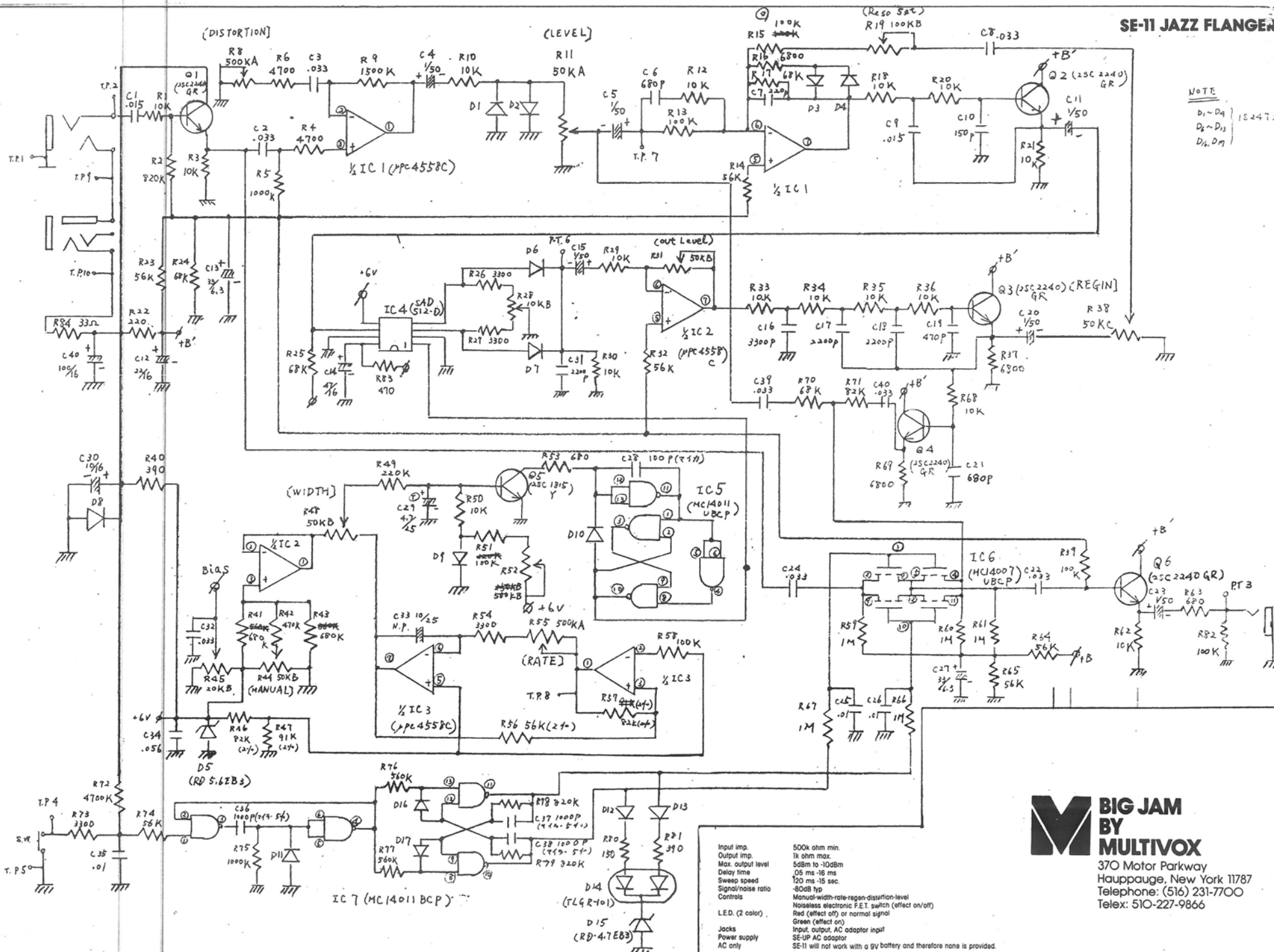


SE-11 JAZZ FLANGER



NOTE
 D1-D4 1S2473
 D5-D13
 D14, D15

Input imp. 500k ohm min.
 Output imp. 1k ohm max.
 Max. output level 50dB to -10dBm
 Delay time 05 ms-16 ms
 Sweep speed 120 ms-15 sec.
 Signal/noise ratio -80dB typ
 Controls
 Manual-width-rate-regen-distortion-level
 Noiseless electronic F.E.T. switch (effect on/off)
 Red (effect off) or normal signal
 Green (effect on)
 Input, output, AC adaptor input
 SE-11 AC adaptor
 SE-11 will not work with a 9V battery and therefore none is provided.

BIG JAM BY MULTIVOX
 370 Motor Parkway
 Hauppauge, New York 11787
 Telephone: (516) 231-7700
 Telex: 510-227-9866