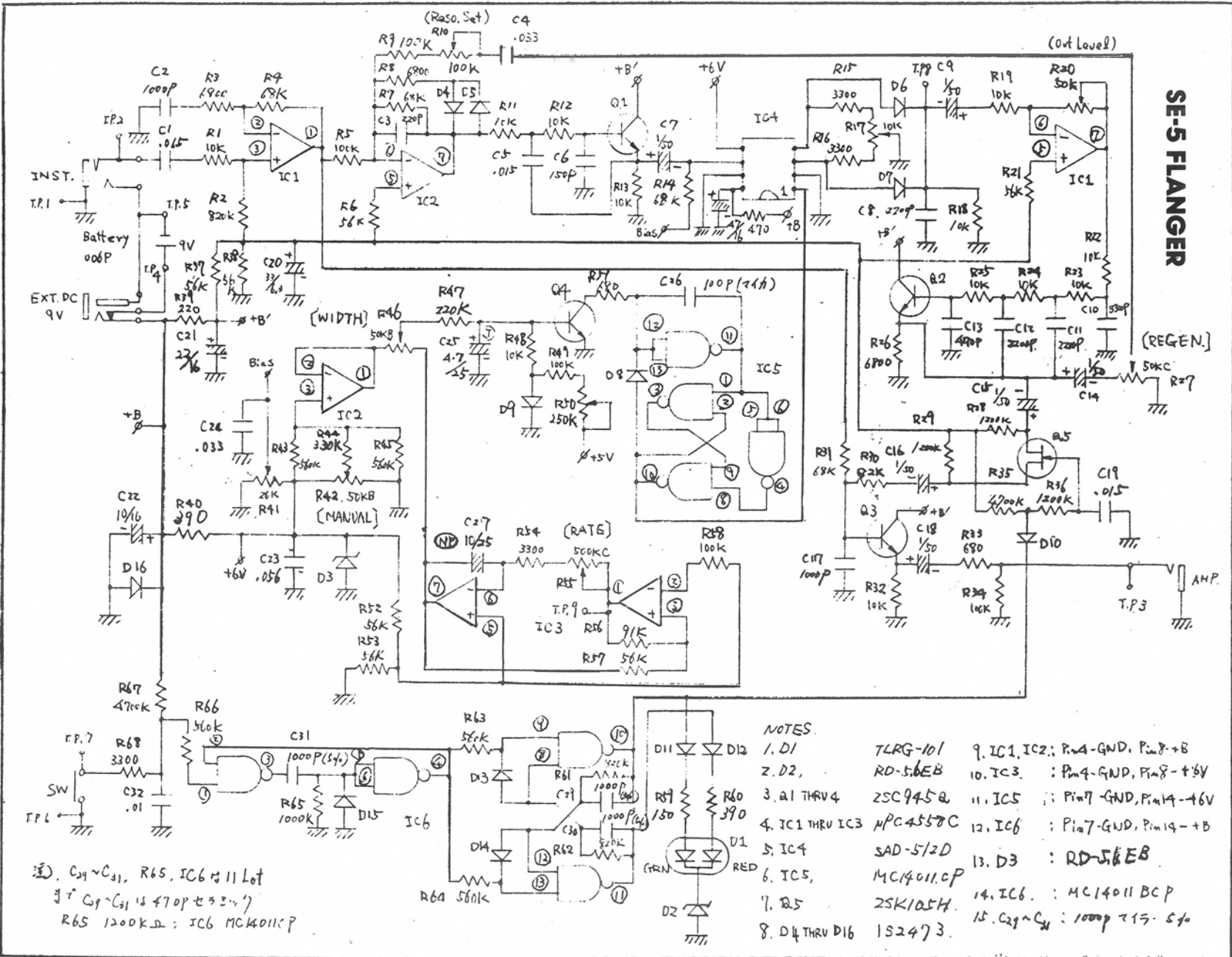


SE-5 FLANGER



① C₂₉ ~ C₃₁, R₆₅, IC₆ 11 Lot
 ② C₇ ~ C₁₁ is 470P ± 5%
 R₆₅ 1200KΩ; IC₆ MC4011CP

- NOTES:
1. D1 TLRG-101
 2. D2 RD-56EB
 3. D3, D4, D5, D6, D7, D8, D9, D10, D11, D12 ZSC945B
 4. IC1 THRU IC3 MPC4557C
 5. IC4 SAD-5/2D
 6. IC5 MC4011CP
 7. D5 ZSK105H
 8. D4 THRU D16 1S2473
 9. IC1, IC2: Pin4-GND, Pin8-+B
 10. IC3: Pin4-GND, Pin8-+6V
 11. IC5: Pin7-GND, Pin14-+6V
 12. IC6: Pin7-GND, Pin14-+B
 13. D3: RD-56EB
 14. IC6: MC4011BCP
 15. C₂₉ ~ C₃₁: 1000P ± 15% 5%

Input imp. 500K ohm min.
 Output imp. 1K ohm max.
 Max. output level -5dBm
 Delay time 0.5 ms -16 ms.
 Sweep speed 120 ms -15 sec.
 Signal/noise ratio -80dB
 Controls: Manual-width-rate-regen
 Noiseless electronic FET switch (effect on/off)
 LED (2 color)
 Jacks: Power supply
 SE-UP AC adaptor included
 9V battery (006B) included



370 Motor Parkway
 Hauppauge, New York 11787
 Telephone: (516) 231-7700
 Telex: 510-227-9866