

# BOSS AD-5

## ACOUSTIC INSTRUMENT PROCESSOR

# SERVICE NOTES

*First Edition*

**Issued by RJA**

### TABLE OF CONTENTS

SPECIFICATIONS .....  
 LOCATION OF CONTROLS .....  
 EXPLODED VIEW .....  
 PARTS LIST .....  
 TEST MODE .....  
 ERROR MESSAGES .....  
 IC DATA .....  
 PWB .....  
 CIRCUIT DIAGRAM .....

### 目次

仕様 ..... 2  
 パネル配置図 ..... 3  
 分解図 ..... 4  
 パーツリスト ..... 5  
 テストモード ..... 6 ~ 8  
 エラーメッセージ ..... 9  
 ICデータ ..... 10  
 基板図 ..... 11、13  
 回路図 ..... 12、14

### Page



Copyright © 1997 by ROLAND CORPORATION

All rights reserved. No part of this publication may be reproduced in any form without the written permission of ROLAND CORPORATION.

本書の一部、もしくは全部を無断で複写・転載することを禁じます。

## SPECIFICATIONS / 仕様

### AD-5: ACOUSTIC INSTRUMENT PROCESSOR

⊙AD Conversion/AD変換	.....	: 21 bit AF Method
⊙DA Conversion/DA変換	.....	: 20-bit Input, 4 Times Oversampling Digital Filter + $\Delta\Sigma$ Method
⊙Sampling Frequency/サンプリング周波数	.....	: 44.1 kHz
⊙Nominal Input Level/規定入力レベル	.....	: INPUT: -10 dBm INSERT(RETURN): -10 dBm
⊙Input Impedance/入力インピーダンス	.....	: INPUT (PIEZO): 4.7 Mohm INPUT (MAGNETIC): 1 Mohm INSERT (RETURN): 100 kohm
⊙Nominal Output Level/規定出力レベル	.....	: OUTPUT: -10 dBm OUTPUT (Balanced): -10 dBm into 600 ohm INSERT (SEND): -10 dBm
⊙Output Impedance/出力インピーダンス	.....	: OUTPUT: 2 kohm OUTPUT (Balanced): 600 ohm INSERT (SEND): 1 kohm
⊙Controls/コントロール	.....	: [INPUT LEVEL] PIEZO Knob, MAGNETIC Knob, Phase Switch [PREAMP] LEVEL Knob, BASS Knob, MIDDLE Knob, TREBLE Knob, PRESENCE Knob [ANTI FEEDBACK] DEPTH Knob, FREQUENCY Knob [ACOUSTIC] BODY Knob, MIC DISTANCE Knob 2x2 CHORUS Knob, REVERB Knob POWER Switch, BALANCED OUTPUT Switch, EFFECTS BYPASS Button
⊙Indicators/インジケータ	.....	: POWER, PEAK, EFFECTS BYPASS, 2x2 CHORUS, REVERB
⊙Connectors/接続端子	.....	: INPUT Jacks (PIEZO, MAGNETIC) INSERT Jack (1/4 inch TRS Phone Type) OUTPUT Jacks L(MONO), R OUTPUT Connectors L, R(XLR-3-32 Type) REMOTE Jack AC Adaptor Jack
⊙Power Supply/電源	.....	: DC 9V (Roland ACI or ACB-Series)
⊙Current Draw/消費電流	.....	: 300 mA
⊙Dimensions/外形寸法	.....	: 150(W) x 155(D) x 65(H) mm 5-15/16(W) x 6-1/8(D) x 2-9/16(H) inches
⊙Weight/重量	.....	: 1.0 kg (excluding the AC Adaptor) 2 lbs 4 oz
⊙Accessories/付属品	.....	: Owner's Manual Japanese (70901723) English (70901823) AC Adaptor ACI-100C (00905756) ACI-120C (00905767) ACI-230C (01018312) ACB-240(E) (12449564) ACB-240(A) (12449549)
⊙Options/別売品	.....	: Foot Switch: FS-5U Cord: Roland PCS-31 (1/4 inch TRS Phone Type - 1/4 inch Phone Typex2)

\* 0 dBm = 0.775 Vrms

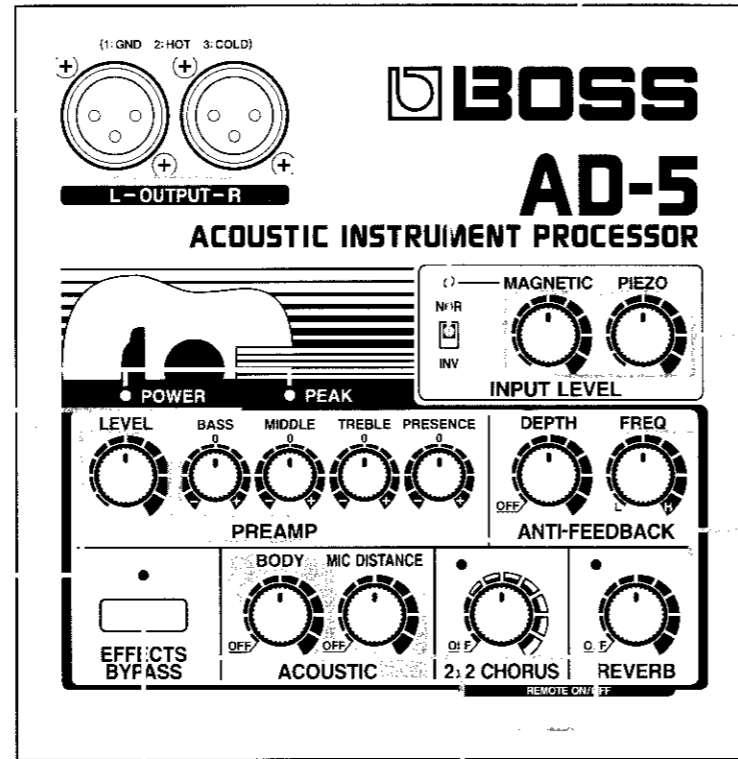
LOCATION OF CONTROLS / パネル配置図

TOP COVER  
(01230423)

Cannon  
NC3MAH  
(00679767)

P R-KNOB SF BLK/LCG  
(22480305)  
RK09K113 100KB-CC  
(01230523)

LED (Red)  
LN282RPX  
(00124601)



Slide Switch (NOR-INV)  
SSSF012-S09N0  
(01230489)

P R-KNOB MF BLK/LCG  
(22480260)  
RK09K113 250KD  
(01230501)

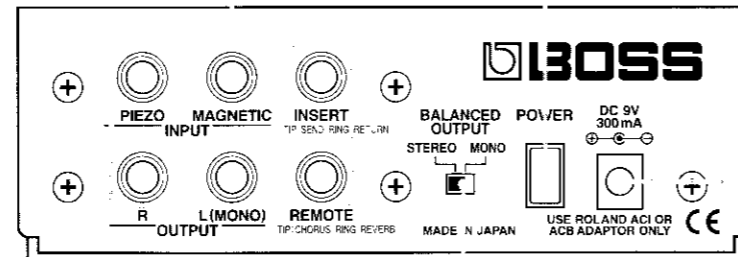
P R-KNOB MF BLK/LCG  
(22480260)  
RK09K113 100KB  
(01230512)

D S-KEYTOP MX1H BLK  
(22495274)  
Tact Switch  
SKQKAA  
(01231034)

LED (Red)  
LN282RPX  
(00124601)

Jack  
LGR4619-8000  
(01230490)

G S-BUTTON S1H BLK  
(12499175)  
Push Switch  
SPUN19430A  
(13129369)

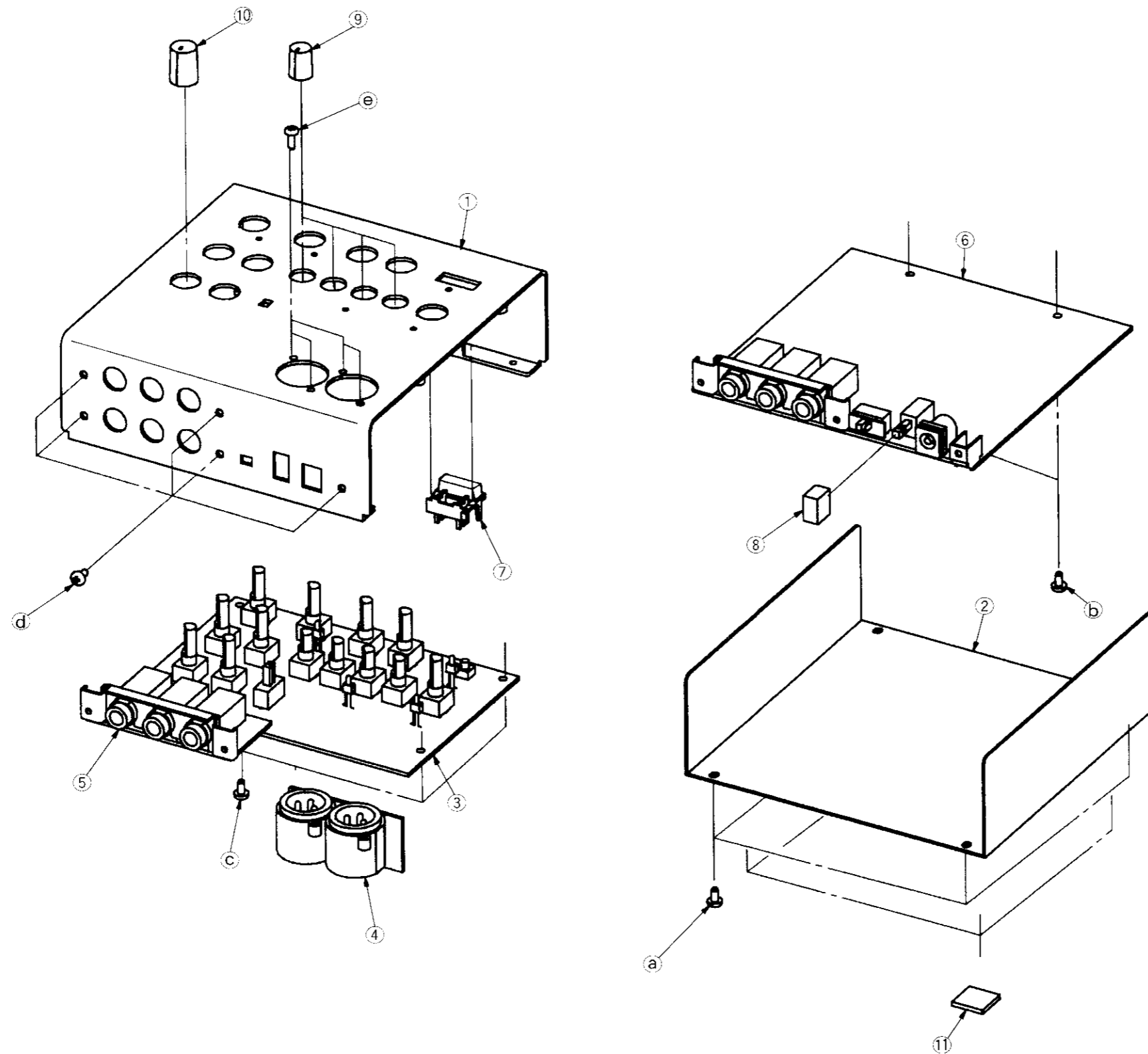


Adaptor Jack  
HEC2305-01-250  
(13449720)

BOTTOM COVER  
(01230434)

Slide Switch (STEREO-MONO)  
SSSF112-P06S0  
(01230223)

## EXPLODED VIEW / 分解図



## [PARTS]

No.	PART No.	PART NAME
①	01230423	TOP COVER
②	01230434	BOTTOM COVER
③	*****	VR BOARD ASSY
④	*****	OUT JK BOARD ASSY
⑤	*****	IN JK BOARD ASSY
⑥	70901667	MAIN BOARD ASSY
⑦	22495274	D S-KEYTOP MX1H BLK
⑧	12499175	G S-BUTTON S1H BLK
⑨	22480305	P R-KNOB SF BLK/LCG
⑩	22480260	P R-KNOB MF BLK/LCG
⑪	22350313	AMDEK FOOT MKS

## [SCREW]

No.	PART No.	PART NAME
a	40011390	Binding Taptite S W/INT TW 3x6 S BZC
b	40012512	Binding Taptite S 3x6 ZC
c	40013056	Pan Machine Screw W/SW+PW # 6 M3x6 ZC
d	40010412	Binding Machine Screw W/INT TW 3x6 BZC
e	40011312	Binding Taptite P 2.6x8 BZC

# PARTS LIST / パーツリスト

<p><b>SAFETY PRECAUTIONS:</b> The parts marked <math>\Delta</math> have safety-related characteristics. Use only listed parts for replacement.</p> <p>安全上の注意: <math>\Delta</math>が付いている部品は、安全上特別な規格でつくられたものです。交換の際は、注意をよく読み、指定された部品番号以外の部品は使わないようにして下さい。</p> <p>NOTE: The parts marked # are new. (initial parts) 注意: #が付いた部品は新規部品です。</p>	<p><b>CONSIDERATIONS ON PARTS ORDERING</b> When ordering any parts listed in the parts list, please specify the following items in the order sheet.</p> <table border="1"> <thead> <tr> <th>QTY</th> <th>PART NUMBER</th> <th>DESCRIPTION</th> <th>MODEL NUMBER</th> </tr> </thead> <tbody> <tr> <td>Ex. 10</td> <td>22575241</td> <td>Sharp Key</td> <td>C-20/50</td> </tr> <tr> <td>15</td> <td>2247017300</td> <td>Knob (orange)</td> <td>DAC-15D</td> </tr> </tbody> </table> <p>Failure to completely fill the above items with correct number and description will result in delayed or even undelivered replacement.</p> <p><b>パーツ発注に関するお願い</b> オーダーシートには、必ず下記の4項目は正確に記入して下さい。(例外は除く)</p> <table border="1"> <thead> <tr> <th>必要数</th> <th>パーツナンバ</th> <th>品名</th> <th>使用機種</th> </tr> </thead> <tbody> <tr> <td>例) 10</td> <td>22575241</td> <td>Sharp Key</td> <td>C-20/50</td> </tr> <tr> <td>15</td> <td>2247017300</td> <td>Knob (orange)</td> <td>DAC-15D</td> </tr> </tbody> </table> <p>もし記入漏れ、誤記等がある場合、必要部品が発送出来なかったり、大幅な遅れの原因になります。御協力をお願いします。</p>	QTY	PART NUMBER	DESCRIPTION	MODEL NUMBER	Ex. 10	22575241	Sharp Key	C-20/50	15	2247017300	Knob (orange)	DAC-15D	必要数	パーツナンバ	品名	使用機種	例) 10	22575241	Sharp Key	C-20/50	15	2247017300	Knob (orange)	DAC-15D
QTY	PART NUMBER	DESCRIPTION	MODEL NUMBER																						
Ex. 10	22575241	Sharp Key	C-20/50																						
15	2247017300	Knob (orange)	DAC-15D																						
必要数	パーツナンバ	品名	使用機種																						
例) 10	22575241	Sharp Key	C-20/50																						
15	2247017300	Knob (orange)	DAC-15D																						

MB->MAIN BOARD IB->IN JK BOARD  
VB->VR BOARD OB->OUT JK BOARD

## CASING / ケース

#	01230423	TOP COVER	
#	01230434	BOTTOM COVER	
#	22350313	AMDEK FOOT MKS	BOTTOM COVER

## CHASSIS / シャーシ

#	01230445	JACK HOLDER	MB,IB
#	12199584	GROUNDING TERMINAL M1698	MB

## PCB ASSY / 基板完成品

#	70901667	MAIN BOARD ASSY	
#	70904201	SUB SHEET ASSY	
NOTE : Replacement SUB SHEET ASSY includes VR BOARD ASSY, IN JK BOARD ASSY and OUT JK BOARD ASSY. Exchange VR BOARD, IN JK BOARD and OUT JK BOARD in the lump.			
注意: 補修用SUB SHEET ASSYはVR BOARD ASSY, IN JK BOARD ASSY, OUT JK BOARD ASSYを含みます。基板交換の際は、VR BOARDとIN JK BOARDとOUT JK BOARDを同時に交換して下さい。			

## KNOB BUTTON / ノブ, ボタン

#	22480260	P R-KNOB MF BLK/LCG	INPUTx2(PIEZO,MAGNETIC),LEVEL,DEPTH, FREQ,BODY,MIC DISTANCE,CHORUS,REVERB
#	22480305	P R-KNOB SF BLK/LCG	BASS,MIDDLE,TREBLE,PRESNCE
#	22495274	D S-KEYTOP MX1H BLK	EFFECTS BYPASS
#	12499175	G S-BUTTON S1H BLK	POWER

## SWITCH / スイッチ

#	01231034	SKQKAA	Tact SW	SW301 on VB
#	01230223	SSSF112-P06S0	Slide SW	SW2 on MB
#	01230489	SSSF012-S09N0	Slide SW	SW201 on VB
$\Delta$	13129369	SPUN19430A	Push SW	SW1 on MB

## JACK, SOCKET / ジャック, ソケット

#	01230490	LGR4619-8000		JK1-JK3 on IB,JK4-JK6 on MB
#	00679767	NC3MAH	Cannon	JK7,JK8 on OB
#	13449720	HEC2305-01-250	AC Adaptor	JK9 on MB

## FILTER / フィルター

#	12449452	BLM41A800SPT	EMI Filter(Chip)	L2,L3 on MB
#	12449426	BLM31B601SPT	EMI Filter(Chip)	L4,L5,L7,L8 on MB
#	12399506	BL03RN2-R62T2	EMI Filter	L9-L11 on IB
#	13529246	DSS310-91D223S-50ATL12-134	EMI Filter	FL1 on MB
$\Delta$	00897190	ELC10B221	Choke Coil	L1 on MB

## RESONATOR / 発振子

#	12389783	CST8.00MTW	Crystal	X1 on MB
#	01129889	SG-531PCV 67.7376MHZ	Oscillator	X2 on MB

## POTENTIOMETER / ボリューム

#	01230512	RK09K113 100KB		VR3,VR8-VR13 on VB
#	01230523	RK09K113 100KB-CC		VR4-VR7 on VB
#	01230501	RK09K113 250KD		VR1,VR2 on VB

## TRANSISTOR / トランジスタ

#	15329538	RN2311	Digital Tr.(Chip)	Q15 on MB
#	00344312	RN2301	Digital Tr.(Chip)	Q11-Q14 on MB
#	15139123	2SK184GR	FET	Q201,Q202 on VB
#	15129179	2SC2458GR	Tr.	Q501 on MB
#	00565289	2SC2459GR	Tr.	Q203 on VB
#	15319115	2SC4213-A	Tr.	Q1-Q6 on MB
#	00897201	2SA1706S-AN	Tr.	Q10 on MB

## IC / 集積回路

#	01230467	HD6433612H	CPU Mask(Flat)	IC9 on MB
#	00892556	TC170C140AF-003	ESP Chip(Flat)	IC12 on MB
#	01230456	SAA7367T	AD Converter(Flat)	IC2 on MB
#	00897178	TDA1386T-T	DA Converter(Flat)	IC3 on MB
#	15289123	M51953AFP-600C	Reset IC(Flat)	IC11 on MB
#	01120523	HM514800DJ6Z	DRAM(SOJ)	IC13 on MB
#	15169569	TC74HC4053AP	Analog Multiplexer	IC301 on VB
#	15289148	M5218AFP-600E	OP Amp(Flat)	IC1,IC5-IC7 on MB
#	15189251	M5218AP	OP Amp	IC201,IC202 on VB
$\Delta$	15199159	IR3M03A	DC/DC Converter	IC8 on MB
$\Delta$	15199225	TA78L05S	Voltage Regulator	IC4 on MB

## DIODE, LED / ダイオード, LED

#	15339119T0	1SS352	Switching Diode(Chip)	D5 on MB
#	15339120T0	1SS302	Diode Array(Chip)	DA1,DA2 on MB
#	01233301	RD9.1ESAB1-T1	Zener Diode	D3 on MB
#	00902978	SB07-03N-AA	Schottky Diode	D1,D2 on MB
#	00124601	LN282RPX	LED(Red)	D301-D305 on VB

## RESISTOR / 抵抗

#	00126112	EXBV8V101JV	Resistor Array(Chip)	RA1,RA2 on MB
#	15409113	EXBV8V103JV	Resistor Array(Chip)	RA3,RA4 on MB
#	15419701	RR1220P-103-D 10K(D)	Metal Film(Chip)	R5,R8 on MB
#	15419702	RR1220P-102-D 1.0K(D)	Metal Film(Chip)	R85 on MB
#	15419706	RR1220P-122-D 1.2K(D)	Metal Film(Chip)	R7 on MB
#	00897234	RR1220P-183-D 18K(D)	Metal Film(Chip)	R4 on MB
#	00904701	RR1220P-302-D 3.0K(D)	Metal Film(Chip)	R84 on MB
#	01236378	RSSX1/2 0.68 OHM J	Metal Oxide 1/2W	R81 on MB

## WIRING, CABLE / ワイヤリング, ケーブル

#	01230989	FUJI CARD 20X70-A4.0BBR-P1.25-HBL8		CN3 on MB -> CN13 on VB
#	01231023	WIRING 5P		CN2 on MB -> CN12 on OB
#	01230990	WIRING 3P		CN1 on MB -> CN11 on VB
#	01233312	RIBON CABL 6X50-P2.0		CN4 on IB -> CN14 on VB

## CONNECTOR / コネクタ

#	13379154	IL-FPC-20ST-N		CN3 on MB
#	01127456	IL-FPC-20SL-N		CN13 on VB
#	13439330	IL-S-3P-S2T2-EF		CN1 on MB
#	13439350	IL-S-5P-S2L2-EF		CN12 on OB

## SCREW / ネジ類

#	40013056	Pan Machine Screw W/SW+PW $\phi$ 6 M3x6 ZC		VB->Top Cover
#	40010412	Binding Machine Screw W/INT TW 3x6 BZC		Top Cover->MB,IB
#	40011312	Binding Tapitite P 2.6x8 BZC		Top Cover->OB
#	40011390	Binding Tapitite S W/INT TW 3x6 S BZC		Bottom Cover->Top Cover
#	40012512	Binding Tapitite S 3x6 ZC		MB->Top Cover

## PACKING CASE / 梱包材

#	01230390	PACKING CASE	
#	01230401	PAD	
#	01230412	SUB PAD	
#	01237423	ADAPTOR PAD	

## MISCELLANEOUS / その他

#	40124567	CAUTION SEAL FCC20x40	
---	----------	-----------------------	--

## ACCESSORIES / 標準付属品

#	70901723	Owner's Manual (Japanese)	
#	70901823	Owner's Manual (English)	
#	00905756	ACI-100C	AC Adaptor(100V)
#	00905767	ACI-120C	AC Adaptor(117V UL/CSA)
#	01018312	ACI-230C	AC Adaptor(230V DNSFI)
#	12449564	ACB-240(E)	AC Adaptor(230V E)
#	12449549	ACB-240(A)	AC Adaptor(240V A)

## TEST MODE / テストモード

### ◎ Test Items

- 1.LED Check
- 2.EFFECTS BYPASS key and Remote Jack Check
- 3.VR Check(except INPUT LEVEL)
- 4.DSP Check
- 5.Output Frequency Response Check
- 6.Output Mute Check
- 7-1a.Residual Noise and Shock Noise Check(DSP Thru)
- 7-1b.AF-AD Check
- 7-2.INPUT LEVEL VR and Total Frequency Response Check(DSP Thru)
- 7-3.PHASE SW Check
- 7-4.PEAK LED Check
- 7-5.INSERT Jack Check

### ◎ Equipment Required

- ・ Foot SW:FS-5U x2 or equivalent
- ・ STEREO - MONO x2(Tip and Ring) Cord:PCS-31 or equivalent
- ・ Multiple Jack:J-5 or equivalent
- ・ Cannon Cable
- ・ Opened Plug
- ・ Oscillator
- ・ Oscilloscope
- ・ Noise Meter

### ◎ NOTE:

Before starting the test, make the following settings.

- 1.Set the INPUT LEVEL's knobs(PIEZO and MAGNETIC) to the center.
- 2.Set POLARITY SWs of two FS-5Us to the direction to the jack.
- 3.Connect the REMOTE jack and two FS-5Us by using the PCS-31.

### ◎ To Enter the Test Mode

At first, set the all knobs except the INPUT LEVEL's one to the minimum.While pressing the EFFECTS BYPASS key, turn the power on, so the POWER LED will be turned on.

### ◎ To Exit the Test Mode

Simply turn off the power.

#### 1.LED Check

If you set the FREQ knob to the maximum, the test program will start and turn on and off the LEDs one by one in the order shown in Fig.1. Verify each LEDs light correctly. Set the FREQ knob to the minimum to proceed to the next step. Press the EFFECTS BYPASS key to proceed to the step 5.

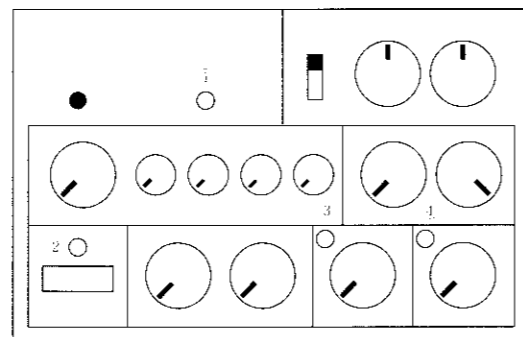


Fig.1 / 図1

### ◎ テスト項目

- 1.LEDチェック
- 2.EFFECTS BYPASSキー、REMOTEジャックチェック
- 3.ボリュームチェック (INPUT LEVELを除く)
- 4.DSPチェック
- 5.出力f特チェック
- 6.出力ミュートチェック
- 7-1a.残留ノイズ、ショックノイズチェック (DSPスルー)
- 7-1b.AF-ADチェック
- 7-2.INPUT LEVELボリュームと回路全体のf特チェック (DSPスルー)
- 7-3.位相切り替えスイッチチェック
- 7-4.PEAK LEDチェック
- 7-5.INSERTジャックチェック

### ◎ 用意する物

- ・ フットスイッチ：FS-5U 2台 (または相当品)
- ・ ステレオ モノラル×2 (チップ、リング) コード：PCS-31 (または相当品)
- ・ マルチプルジャック：J-5 (または相当品)
- ・ キャンオンケーブル
- ・ 空プラグ
- ・ 発振器
- ・ オシロスコープ
- ・ ノイズメーター

### ◎ 注意:

テストを行う前に、下記の設定をしておいて下さい。

- 1.INPUT LEVELのつまみ (PIEZOとMAGNETIC) をセンターにセットして下さい。
- 2.2台のFS-5Uのポラリティスイッチをジャック側に設定します。
- 3.REMOTEジャックと2台のFS-5UをPCS-31を使って接続して下さい。

### ◎ テスト・モードへの入り方

まずINPUT LEVEL以外の全てのつまみを最小にします。EFFECTS BYPASSキーを押しながら電源をオンにしてPOWER LEDを点灯させます。

### ◎ テスト・モードの抜け方

電源をオフにします。

#### 1.LEDチェック

FREQつまみを最大にするとテストが始まります。LEDが図1の順で1つずつ点灯、消灯するので、各LEDが正常に点灯するか確認して下さい。FREQつまみを最小にすると、次のステップに進みます。EFFECTS BYPASSキーを押すと、ステップ5に進みます。

### 2.EFFECTS BYPASS key and Remote Jack Check

Press the EFFECTS BYPASS key and verify that the EFFECTS BYPASS LED is turned on. Verify that the CHORUS LED or the REVERB LED is turned on by pressing the each FU-5U. If you turn the LEVEL knob to the other direction except the minimum, the test proceed to the next step.

### 3.VR Check(except INPUT LEVEL)

Check the VRs one by one in the order shown in Fig.2. If you turn the VR from the minimum to the maximum clockwise, and counterclockwise, you can verify the several lighting patterns of the LEDs(CHORUS, REVERB and EFFECTS BYPASS) according to the VR direction. Shown in Table 1. If you haven't finished to turn the VR to be tested exactly and turn the other one, the PEAK LED will blink. If all VR tests are finished, the EFFECTS BYPASS LED will be turned on. Press the EFFECTS BYPASS key to proceed to the next step.

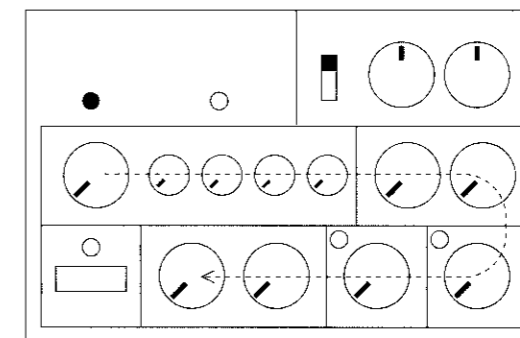


Fig.2 / 図2

VR	EFFECTS BYPASS LED	CHORUS LED	REVERB LED
Min.		--	--
↑	--	--	--
↓	--	--	--
Max.	--		
↑	--		
↓	--		
Min.	--		

Table.1 / 表1

○ : Turn On / 点灯  
-- : Turn Off / 消灯

### 4.DSP Check

The test program writes the test data into the DSP and reads it from the DSP. If the test program fail to write or read, the each LEDs(CHORUS,REVERB) are turned on or off according to the content of the error. Shown in Table 2. Otherwise, it proceed to the next step automatically.

### 4.DSPチェック

DSPへのテストデータの書き込みおよび読み出しを行います。書き込み又は読み出しが失敗した場合、表2のようにエラーの内容によってそれぞれのLED (CHORUS, REVERB) が点灯又は消灯します。OKであれば、次のステップへ自動的に進みます。

CHORUS LED	REVERB LED	Error Message
		DSP busy Error
		DSP PRAM Error
--		DSP IRAM Error
		DSP ERAM Error

Table.2 / 表2

○ : Turn On / 点灯  
-- : Turn Off / 消灯

**5. Output Frequency Response Check**

NOTE: Check the Lch(MONO)/Rch jacks and the Lch/Rch cannons(HOT-GND,COLD-GND). If the Lch of the OUTPUT jack is used alone, or the BALANCED OUTPUT SW is set to MONO, the Lch and the Rch signals are mixed internally, but no signals is outputted(because their phase are opposite each other). So, when checking the Lch of the OUTPUT jack, be sure to insert the opened plug into the Rch, and when checking the Lch of the OUTPUT cannon, be sure to set the BALANCED OUTPUT SW to STEREO to obtain the correct waveform.

Set the noise meter to FLAT. The frequency being output will be changed depending on the LED lighting pattern shown in Table 3. Verify the meter readings are -20dBm±1.5dB. The difference between the Lch and the Rch should be within 2dB. Press the EFFECTS BYPASS key to proceed to the next step. To return back to the step 3, press the FS-5U being connected to the CHORUS REMOTE.

CHORUS LED	REVERB LED	Frequency/周波数
●	●	20Hz
○	○	1kHz
●	○	5kHz
○	●	15kHz

Table.3/表3

● : Turn On/点灯  
○ : Turn Off/消灯

**6. Output Mute Check**

NOTE: Check the Lch(MONO)/Rch jacks and the Lch/Rch cannons(HOT-GND,COLD-GND). If the Lch of the OUTPUT jack is used alone, or the BALANCED OUTPUT SW is set to MONO, the Lch and the Rch signals are mixed internally, but no signals is outputted(because their phase are opposite each other). So, when checking the Lch of the OUTPUT jack, be sure to insert the opened plug into the Rch, and when checking the Lch of the OUTPUT cannon, be sure to set the BALANCED OUTPUT SW to STEREO to obtain the correct waveform.

The muting on and off should correspond to the blinking of the CHORUS LED. Verify the waveform being output. Press EFFECT BYPASS key to proceed to the next step. To return back to the step 5, press the FS-5U being connected to the CHORUS REMOTE.

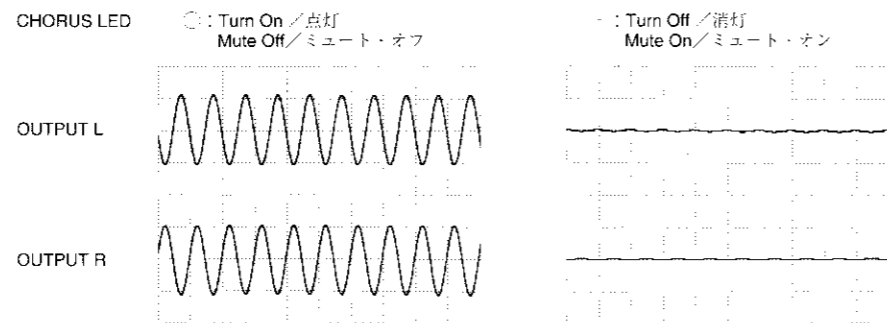


Fig.3/図3 (1mS/DIV, 0.1V/DIV)

**5.出力特チェック**

注意:Lch(MONO)/RchジャックとLch/Rchキャノン(HOT-GND,COLD-GND)をチェックします。OUTPUTジャックをLch単体で使用した場合やBALANCED OUTPUT SWがMONO側にセットされている場合は、Lch,Rchの信号は内部でミキシングされますが、信号は出力されません(Lch,Rchの信号の位相が互いに逆のため)。よって、正常な波形を得るためにLch OUTPUTジャックの測定時には必ずRchに空プラグを挿入し、Lch OUTPUTキャノンの測定時にはBALANCED OUTPUT SWをSTEREO側にセットして下さい。

ノイズ・メーターをFLATに切り換えます。LEDの点灯パターンに伴い、表3のように出力される正弦波の周波数が変化するので、それぞれの出力レベルが-20dBm±1.5dBであることを確認します(Lch,Rchのレベル差は2dB以内)。EFFECTS BYPASSキーを押すと、次のステップに進みます。CHORUS REMOTEに接続されているFS-5Uを押すと、ステップ3に戻ります。

**6.出力ミュートチェック**

注意:Lch(MONO)/RchジャックとLch/Rchキャノン(HOT-GND,COLD-GND)をチェックします。OUTPUTジャックをLch単体で使用した場合やBALANCED OUTPUT SWがMONO側にセットされている場合は、Lch,Rchの信号は内部でミキシングされますが、信号は出力されません(Lch,Rchの信号の位相が互いに逆のため)。よって、正常な波形を得るために、Lch OUTPUTジャックの測定時には必ずRchに空プラグを挿入し、Lch OUTPUTキャノンの測定時にはBALANCED OUTPUT SWをSTEREO側にセットして下さい。

CHORUS LEDの点滅に合わせて、ミュートのオン・オフが行なわれるので、出力波形を確認して下さい。EFFECTS BYPASSキーを押すと、次のステップに進みます。CHORUS REMOTEに接続されているFS-5Uを押すと、ステップ5に戻ります。

**7-1a. Residual Noise and Shock Noise Check(DSP Thru)**

NOTE: Check the Lch(MONO)/Rch jacks and the Lch/Rch cannons(HOT-GND,COLD-GND). If the Lch of the OUTPUT jack is used alone, or the BALANCED OUTPUT SW is set to MONO, the Lch and the Rch signals are mixed internally, and the correct waveform would not be output. So, when checking the Lch of the OUTPUT jack, be sure to insert the opened plug into the Rch, and when checking the OUTPUT cannon of the Lch, be sure to set the BALANCED OUTPUT SW to STEREO to obtain the correct waveform.

First of all, check the INPUT LEVEL VRs(PIEZO, MAGNETIC) are set to the center and PHASE SW is set to the NOR. Insert the noise meter into the OUTPUT(either Lch or Rch) jack or cannon. Set the meter to IHF-A and verify the noise level is -93dBm or below. Differences between the Lch and the Rch should be within 2dB. Check the shock noise, too. To return back to the step 6, press the FS-5U being connected to the CHORUS REMOTE. Press the EFFECTS BYPASS key to proceed to the next step.

**7-1b. AF-AD Check**

NOTE: Check the Lch(MONO) and Rch jacks. If the Lch of the OUTPUT jack is used alone, the Lch and the Rch signals are mixed internally, and the correct waveform would not be OUTPUT. So, when checking the Lch oh the OUTPUT jack, be sure to insert the opened plug into the Rch, to obtain the correct waveform.

Check the INPUT LEVEL VRs (PIEZO, MAGNETIC) are set to the center. Input a 200Hz, 50mVp-p square wave to the input jack PIEZO. Insert the noise meter into the OUTPUT (either Lch or Rch) Jack. Set the meter to IHF-A and verify the noise level is -83dBm or below. To return back to the step 7-1a, press the FS-5U being connected to the CHORUS REMOTE. Press the EFFECTS BYPASS key to proceed to the next step.

**7-2.INPUT LEVEL VR and Total Frequency Response Check(DSP Thru)**

NOTE: Check the Lch(MONO)/Rch jacks and the Lch/Rch cannons(HOT-GND,COLD-GND). If the Lch of the OUTPUT jack is used alone, or the BALANCED OUTPUT SW is set to MONO, the Lch and the Rch signals are mixed internally, and the correct waveform would not be output. So, when checking the Lch of the OUTPUT jack, be sure to insert the opened plug into the Rch, and when checking the OUTPUT cannon of the Lch, be sure to set the BALANCED OUTPUT SW to STEREO to obtain the correct waveform.

First of all, check the the PHASE SW is set to the NOR, and set the INPUT LEVEL VRs(PIEZO, MAGNETIC) to the minimum. Input a 200Hz, 200mVp-p square wave to the INPUT jack(both of PIEZO and MAGNETIC) by using J-5. Verify the changing of the output waveform corresponding to the direction of the VR when the other one is set to the minimum. Check the output waveform when the VR is set to

**7-1a. 残留ノイズ、ショックノイズチェック (DSPスルー)**

注意:Lch(MONO)/RchジャックとLch/Rchキャノン(HOT-GND,COLD-GND)をチェックします。OUTPUTジャックをLch単体で使用した場合やBALANCED OUTPUT SWがMONO側にセットされている場合は、Lch,Rchの信号は内部でミキシングされるため正常な波形が得られません。よって、正常な波形を得るためLch OUTPUTジャックの測定時には必ずRchに空プラグを挿入し、Lch OUTPUTキャノンの測定時にはBALANCED OUTPUT SWをSTEREO側にセットして下さい。

まず、INPUT LEVELボリューム (PIEZO, MAGNETIC) がセンターにセットされ、位相切り替えスイッチがNOR側にセットされている事を確認します。ノイズ・メーターをOUTPUT (LchまたはRch) ジャック、あるいはキャノンに接続します。メーターをJIS-Aに切り替えて、ノイズ・レベルが-93dBm以下であることを確認して下さい(Lch,Rchのレベル差は2dB以内)。また、ショックノイズも確認してください。CHORUS REMOTEに接続されているFS-5Uを押すと、ステップ6に戻ります。EFFECTS BYPASSキーを押すと、次のステップへ進みます。

**7-1b. AF-ADチェック**

注意:Lch(MONO)/Rchジャックをチェックします。OUTPUTジャックをLch単体で使用した場合は、Lch,Rchの信号は内部でミキシングされるため正常な波形が得られません。よって、正常な波形を得るためLch OUTPUTジャックの測定時には必ずRchに空プラグを挿入して下さい。

INPUT LEVELボリューム (PIEZO, MAGNETIC) がセンターにセットされている事を確認します。矩形波200Hz,50mVp-pをPIEZOのINPUTジャックに入力して下さい。ノイズ・メーターをOUTPUT (LchまたはRch) ジャックに接続します。メーターをJIS-Aに切り替えて、ノイズレベルが-83dBm以下であることを確認して下さい。CHORUS REMOTEに接続されているFS-5Uを押すと、ステップ7-1aに戻ります。EFFECTS BYPASSキーを押すと、次のステップに進みます。

**7-2.INPUT LEVELボリュームと回路全体の特性チェック (DSPスルー)**

注意:Lch(MONO)/RchジャックとLch/Rchキャノン(HOT-GND,COLD-GND)をチェックします。OUTPUTジャックをLch単体で使用した場合やBALANCED OUTPUT SWがMONO側にセットされている場合は、Lch,Rchの信号は内部でミキシングされるため正常な波形が得られません。よって、正常な波形を得るためLch OUTPUTジャックの測定時には必ずRchに空プラグを挿入し、Lch OUTPUTキャノンの測定時にはBALANCED OUTPUT SWをSTEREO側にセットして下さい。

まず、位相切り替えスイッチがNOR側にセットされている事を確認し、2つのINPUT LEVELボリューム (PIEZO, MAGNETIC) を最小にします。矩形波200Hz,200mVp-pをJ-5を使ってPIEZOとMAGNETICの両方のINPUTジャックに入力して下さい。ボリュームの片方を最小にしたまま、もう片方だけを変化させて、出力波形がこれに併せて変化する事を確認します。また、ボリュームの片方が最小で、もう片方がセンターのときのそれぞれの出力

minimum and the other one is set to the center. The waveforms and the levels of the PIEZO and the MAGNETIC will be the same.  
To return back to the step 6, press the FS-5U being connected to the CHORUS REMOTE.

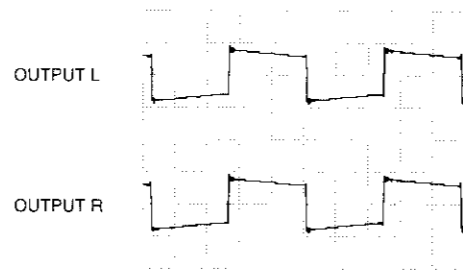


Fig.4/図4  
(1mS/DIV, 0.1V/DIV)

### 7-3.Phase SW Check

NOTE: Check the Lch(MONO)/Rch jacks. If the Lch of the OUTPUT jack is used alone, the Lch and the Rch signals are mixed internally, and the correct waveform would not be output. So, when checking the Lch of the OUTPUT jack, be sure to insert the opened plug into the Rch to obtain the correct waveform.

Set the PHASE SW to the INV and input a 200Hz, 200mVp-p square wave to the INPUT jack(both of PIEZO and MAGNETIC) by using J-5. When the INPUT LEVEL VRs(both of PIEZO and MAGNETIC) are set to around the center, the Output waveforms will disappear. Set the PHASE SW to the NOR, and verify the square wave being output.  
To return back to the step 6, press the FS-5U being connected to the CHORUS REMOTE.

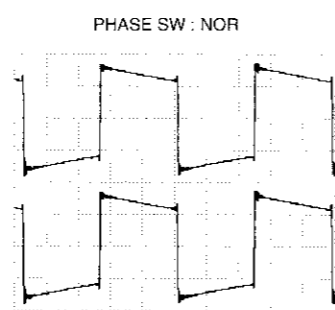
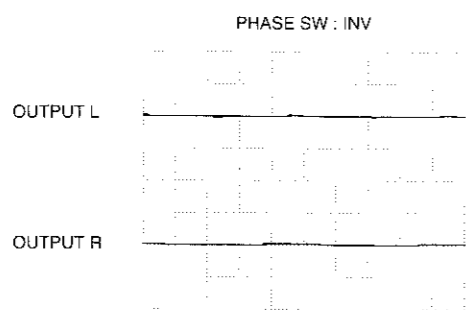


Fig.5/図5  
(1mS/DIV, 0.1V/DIV)

波形を確認して下さい (PIEZO側、MAGNETIC側ともに波形もレベルも同じになる)。  
CHORUS REMOTEに接続されているFS-5Uを押すと、ステップ6に戻ります。

### 7-3.位相切り替えスイッチチェック

注意:Lch(MONO)/Rchジャックをチェックします。OUTPUTジャックをLch単体で使用した場合は、Lch,Rchの信号は内部でミキシングされるため正常な波形が得られません。よって、正常な波形を得るためLch OUTPUTジャックの測定時には必ずRchに空プラグを挿入して下さい。

位相切り替えスイッチをINV側に切り替え、矩形波200Hz,200mVp-pをJ-5を使ってPIEZOとMAGNETICの両方のINPUTジャックに入力して下さい。INPUT LEVELボリューム (PIEZO,MAGNETICの両方) をセンター付近にセットすると、出力波形が消える事を確認します。位相切り替えスイッチをNOR側に切り替え、矩形波が出力される事を確認します。CHORUS REMOTEに接続されているFS-5Uを押すと、ステップ6に戻ります。

### 7-4.PEAK LED Check

NOTE: Check the Lch(MONO)/Rch jacks. If the Lch of the OUTPUT jack is used alone, the Lch and the Rch signals are mixed internally, and the correct waveform would not be output. So, when checking the Lch of the OUTPUT jack, be sure to insert the opened plug into the Rch to obtain the correct waveform.

Set the INPUT LEVEL VRs(both of PIEZO and MAGNETIC) to the minimum. Input a 1kHz, 3.5dBm(3.5Vp-p) sin wave to the INPUT jack(either PIEZO or MAGNETIC). If you turn the INPUT LEVEL VR being inputted signals to around the center slowly, PEAK LED will be turned on. At that time, verify the signals are not distorted.  
To return back to the step 6, press the FS-5U being connected to the CHORUS REMOTE.

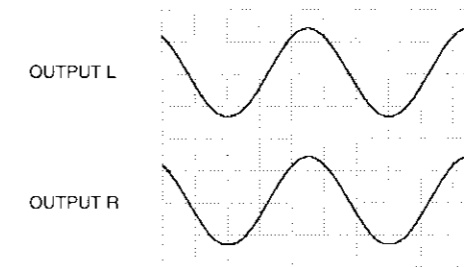


Fig.6/図6  
(0.2mS/DIV, 1V/DIV)

### 7-5.INSERT Jack Check

NOTE: Check the Lch(MONO)/Rch jacks. If the Lch of the OUTPUT jack is used alone, the Lch and the Rch signals are mixed internally, and the correct waveform would not be output. So, when checking the OUTPUT jack of the Lch, be sure to insert the opened plug into the Rch to obtain the correct waveform.

Connect the stereo plug of the PCS-31 to the INSERT jack. Set the INPUT LEVEL VRs(both of PIEZO and MAGNETIC) to the center. Input a 200Hz, 200mVp-p square wave to the INPUT jack(either PIEZO or MAGNETIC). Verify the signal being output from the mono plug of the PCS-31 connected to the SEND of the INSERT jack. Then, input the same square wave to the RETURN of the INSERT jack. Verify the waveform being output from the OUTPUT jack.

To return back to the step 6, press the FS-5U being connected to the CHORUS REMOTE.

### 7-4.PEAK LEDチェック

注意:Lch(MONO)/Rchジャックをチェックします。OUTPUTジャックをLch単体で使用した場合は、Lch,Rchの信号は内部でミキシングされるため正常な波形が得られません。よって、正常な波形を得るためLch OUTPUTジャックの測定時には必ずRchに空プラグを挿入して下さい。

INPUT LEVELボリューム (PIEZOとMAGNETICの両方) を最小にします。正弦波1kHz, 3.5dBm(3.5Vp-p)をPIEZOまたはMAGNETICのINPUTジャックに入力して下さい。信号が入力されているINPUT LEVELボリュームをセンター付近へゆっくり回すと、PEAK LEDが点灯します。このとき、波形が歪んでいない事を確認して下さい。CHORUS REMOTEに接続されているFS-5Uを押すと、ステップ6に戻ります。

### 7-5.INSERT Jackチェック

注意:Lch(MONO)/Rchジャックをチェックします。OUTPUTジャックをLch単体で使用した場合は、Lch,Rchの信号は内部でミキシングされるため正常な波形が得られません。よって、正常な波形を得るためLch OUTPUTジャックの測定時には必ずRchに空プラグを挿入して下さい。

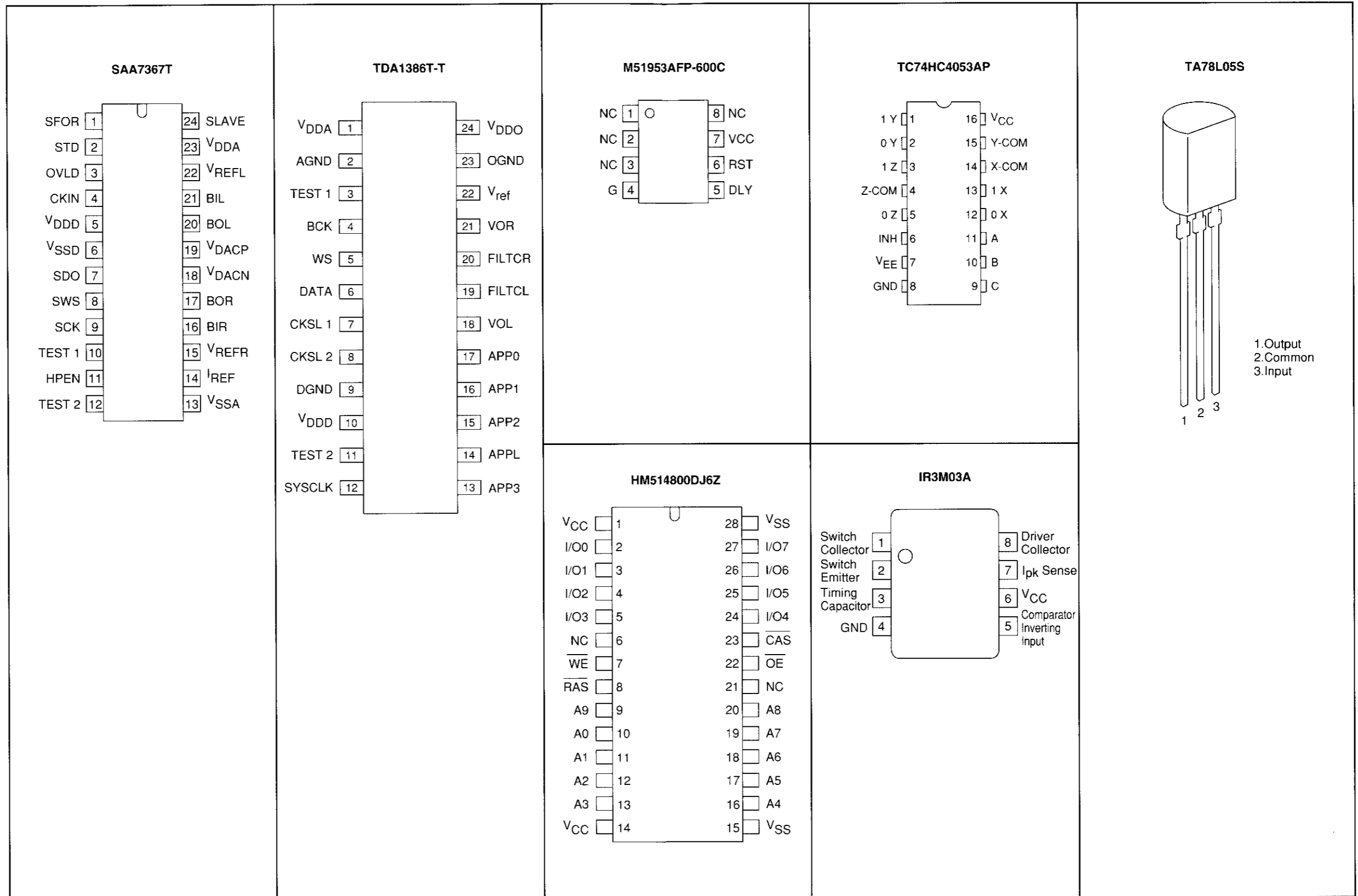
PCS-31のSTEREOプラグをINSERTジャックに接続します。INPUT LEVELボリューム (PIEZOとMAGNETICの両方) をセンターにセットします。矩形波200Hz,200mVp-pをPIEZOまたはMAGNETICのINPUTジャックに入力して下さい。INSERTジャックのSENDに接続されているPCS-31のMONOプラグから出力される信号を確認して下さい。そして、同じ矩形波をINSERTジャックのRETURNに入力して下さい。OUTPUTジャックから出力される波形を確認して下さい。

CHORUS REMOTEに接続されているFS-5Uを押すと、ステップ6に戻ります。





IC DATA/ICデータ

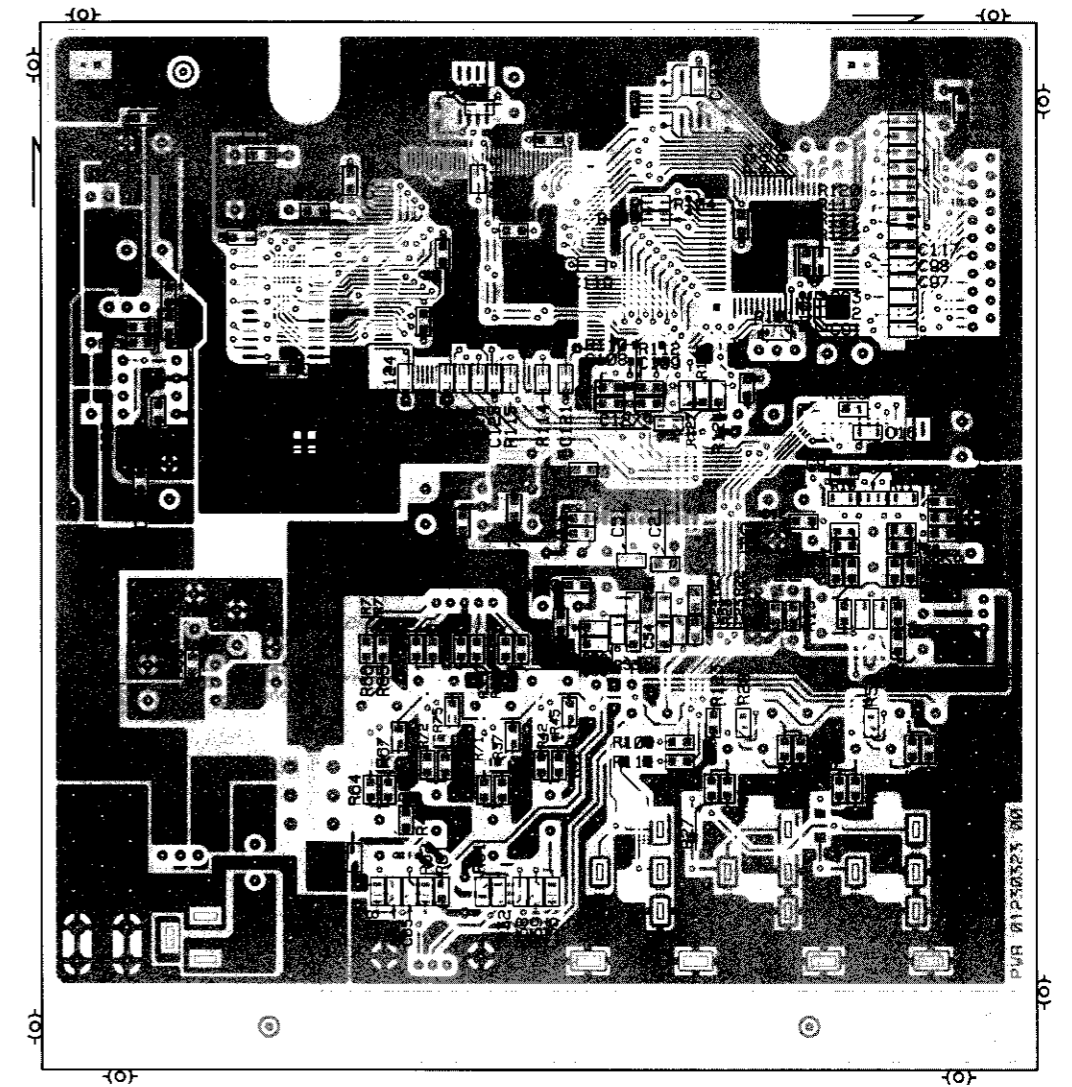


PWB/基板図

E MAIN BOARD ASS'Y

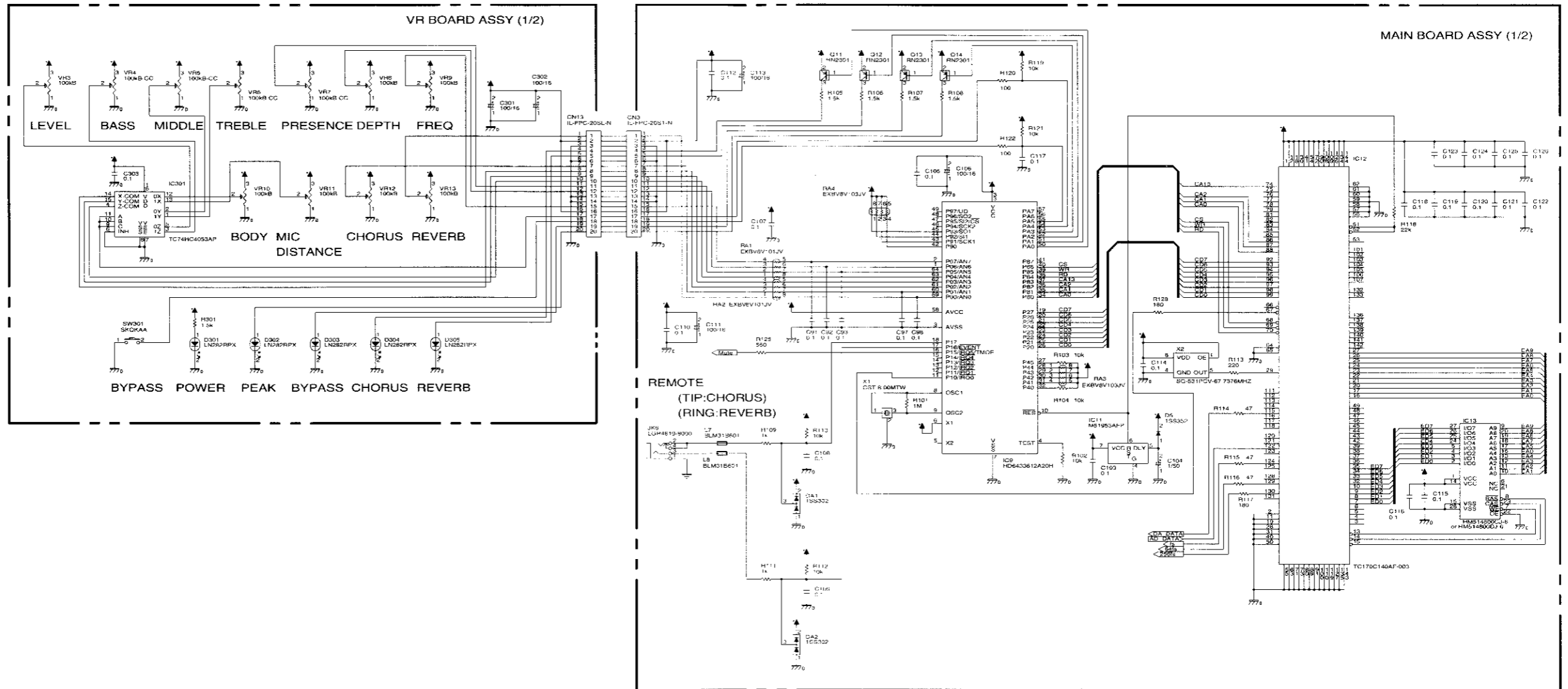


View from component side



View from solder side

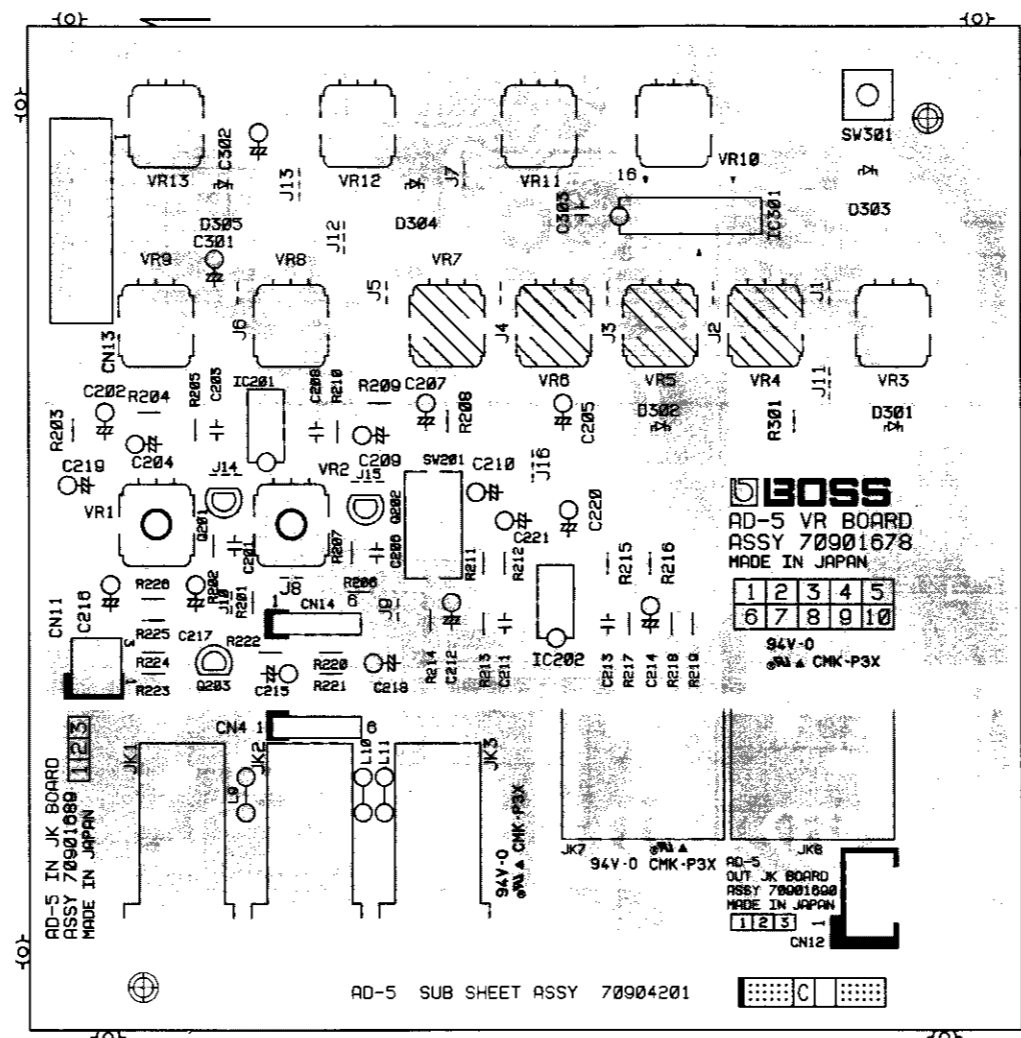
CIRCUIT DIAGRAM/回路図



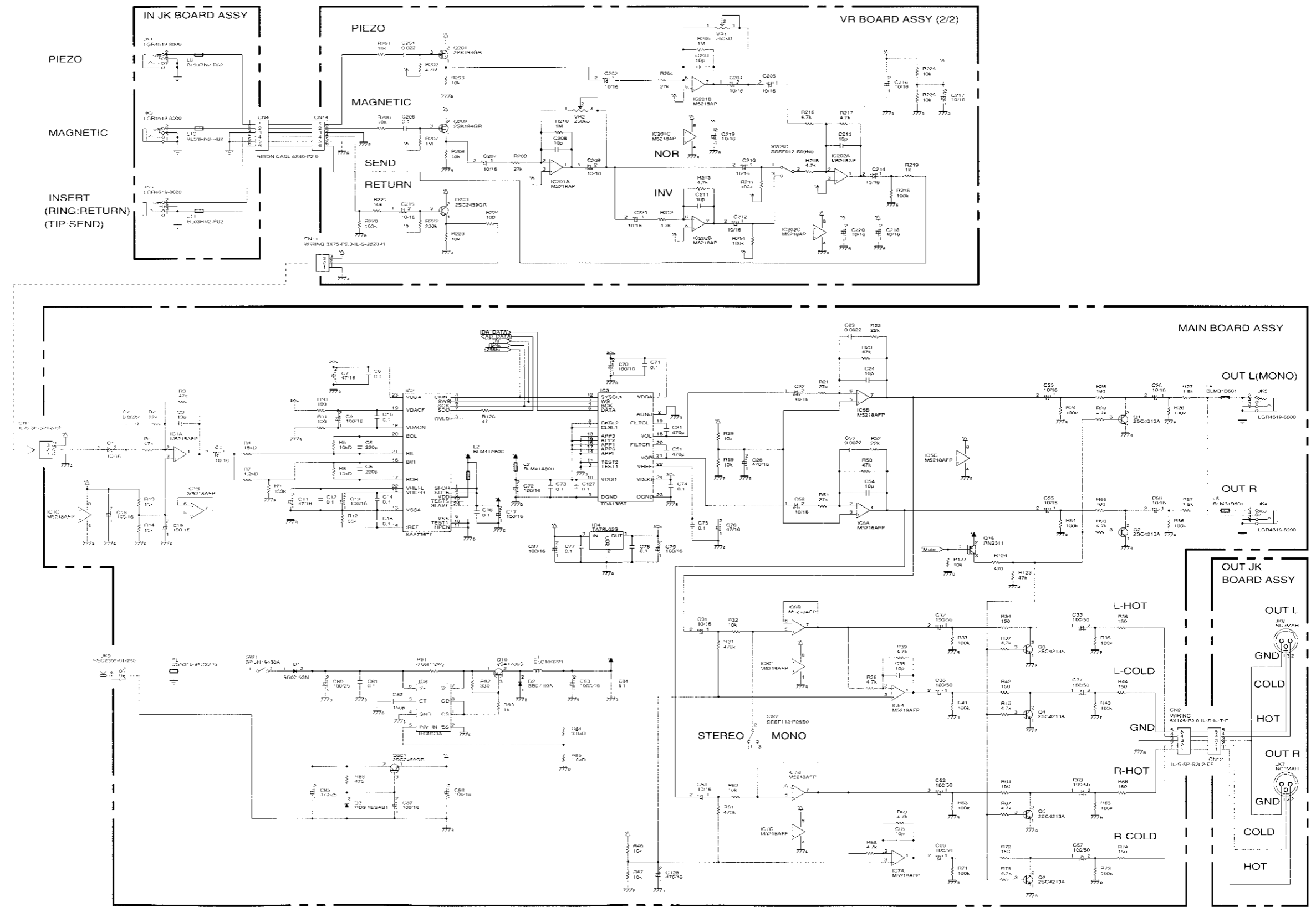
AD-5 VR BOARD ASSY (1/2)	70901678
AD-5 MAIN BOARD ASSY (1/2)	70901667
NAME	CODE

PWB/基板図

VR BOARD ASS'Y  
IN JK BOARD ASS'Y  
OUT JK BOARD ASS'Y



CIRCUIT DIAGRAM/回路図





**Roland®**  
**17059870**

UPC 17059870



1098:

**BOSS**