

INPUT

BD-2 MT BOARD ASSY 70567645 (PCB 00786488 1/3)

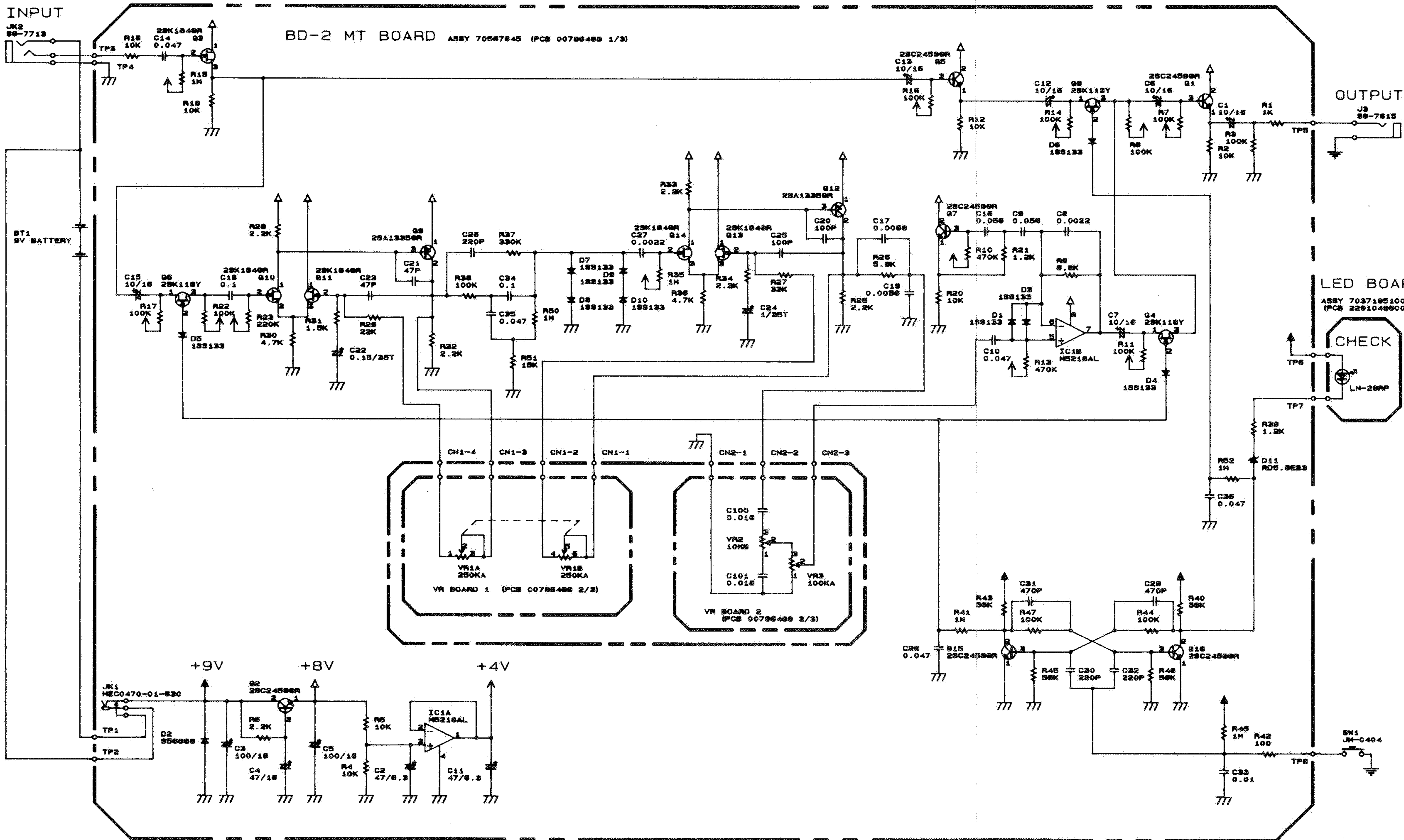
OUTPUT

BT1 9V BATTERY

LED BOARD

ASSY 7037195100 (PCB 2281048800)

CHECK LN-28RP



+9V

+8V

+4V

JK1 MEC0470-01-830

Q2 2N2459

IC1A MS218AL

SW1 JM-0404