

1 2 3 4 5 6 7 8 9 10 11 12 13 14 15 16 17 18 19 20 21 22 23 24 25 26 27 28 29 30 31 32 33 34 35 36 37 38 39 40

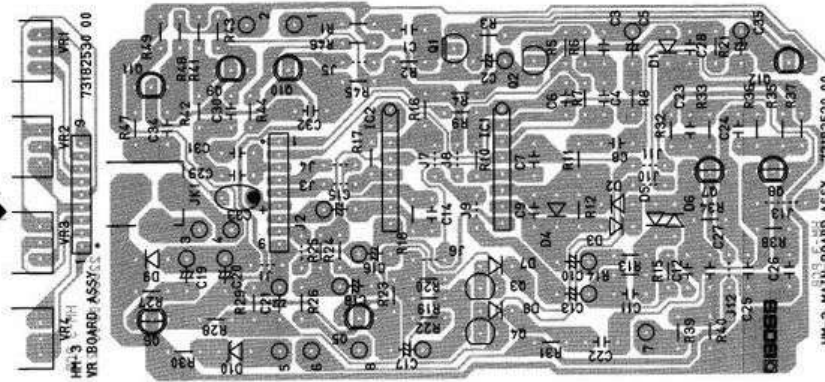
MT BOARD

Assy 7318252000
(pcb 22930508 1/2)

NOTE

Replacement MT Board Assy includes VR Board Assy.
補修用 MT Board Assy は VR Board Assy を含みます。
VR Board Assy (pcb 22930508 2/2)

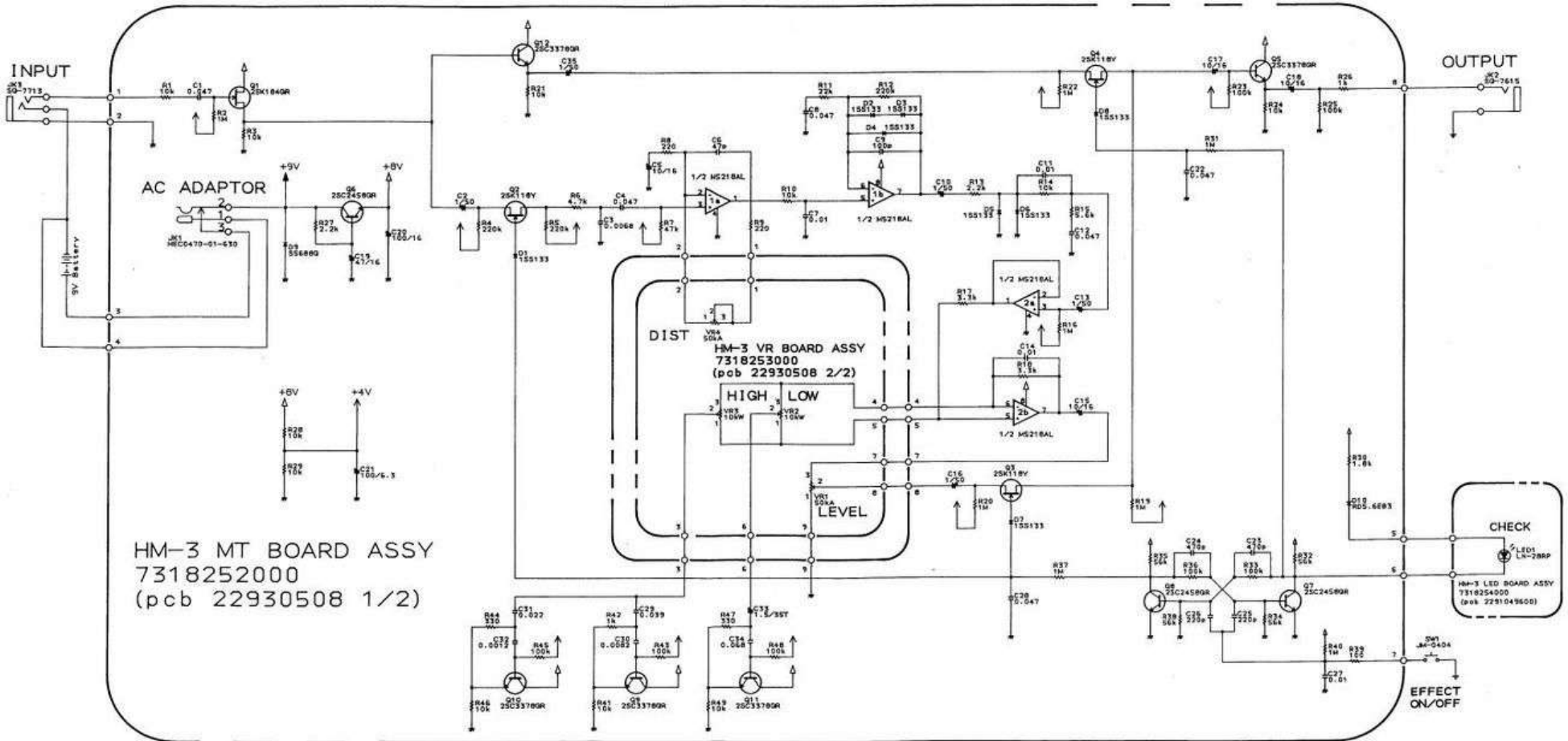
VR Board
(pcb 22930508 2/2)



MT BOARD
(pcb 22930508 1/2)

CIRCUIT DIAGRAM / 回路図

View from component side.



HM-3 MT BOARD ASSY
7318252000
(pcb 22930508 1/2)

CHECK
HM-3 LED BOARD ASSY
7318254000
(pcb 2291043600)

A
B
C
D
E
F
G
H
I
J
K
L
M
N
O
P
Q
R
S
T
U
V