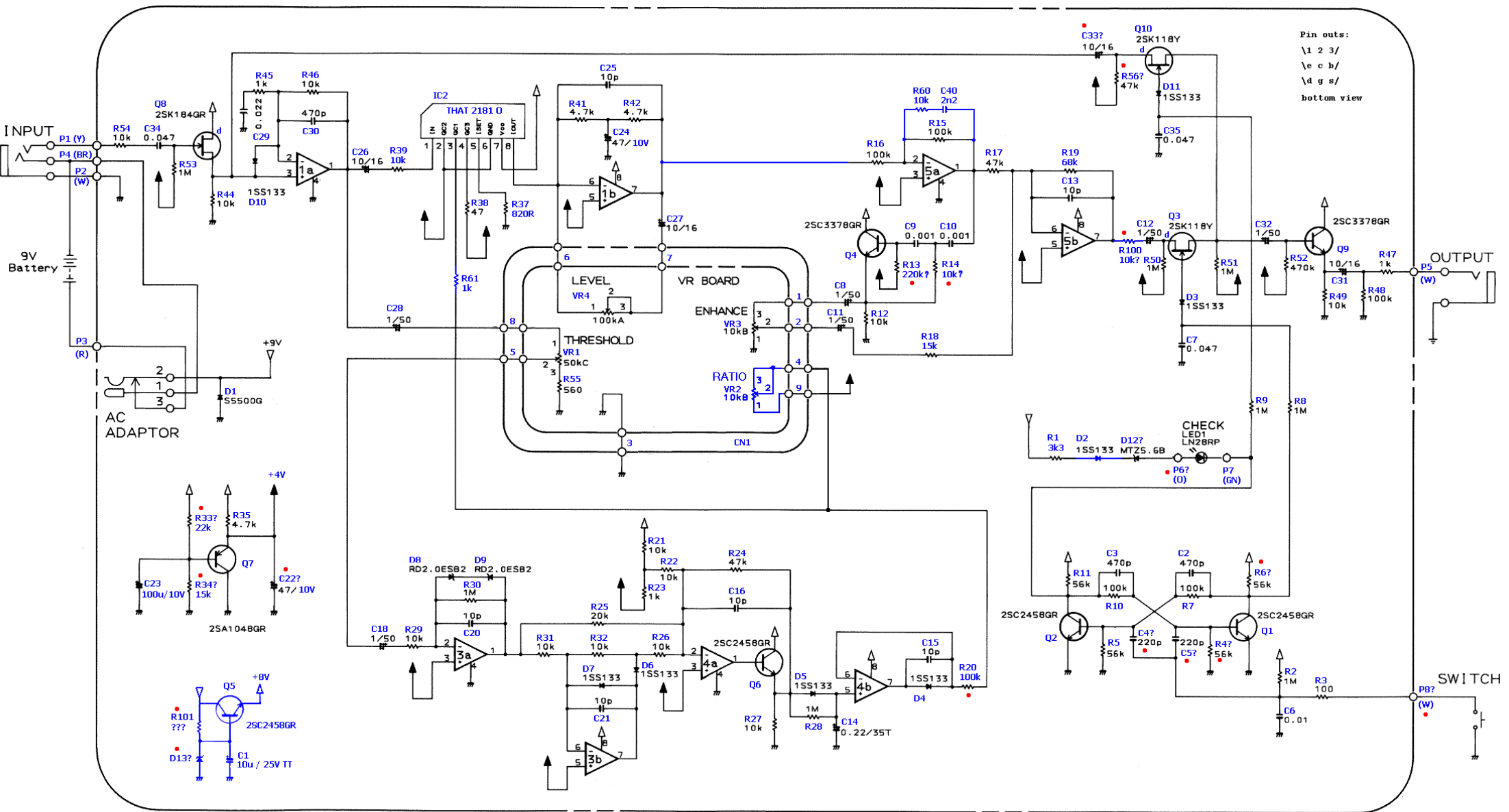


Pin outs:
 \1 2 3/
 \e c b/
 \d g s/
 bottom view



IC1, IC3, IC5 NJM4558L (SIL8)
 IC2 THAT 2181 O (SIL8)
 IC4 NJM3404AL (SIL8)

- Notes:
- R101 and D13 unknown values
 - Transistors and JFETs parts unconfirmed.
 - Values and Designators marked with ? are unconfirmed.
 - R36, R40, R43 Don't exist?
 - C17, C19 Don't exist?

Unverified
 Check values, designators and connections before modifying a unit.

Boss LMB-3 (1995)
Bass Limiter Enhancer
 Drawing Rev 1.0, George Giblet (2019/03/03)
 Drawing Adapted from LM-2B