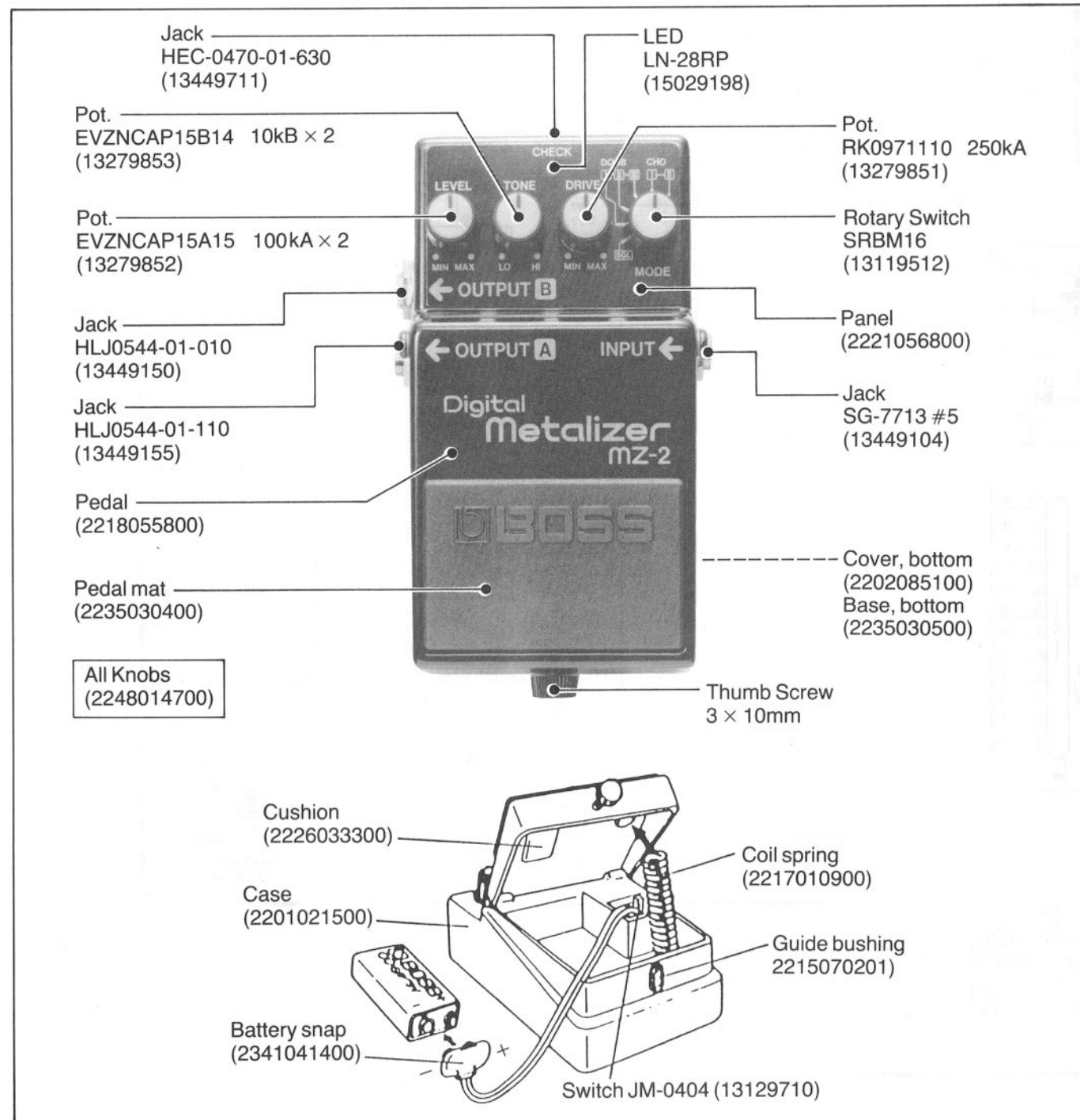


BOSS MZ-2 SERVICE NOTES

First Edition

SPECIFICATIONS

- Power Source 9V Battery (006P) × 1 or AC adaptor (BOOS PSA Series or RPW-7)
- Current Draw 70mA@ 9V DC
- Equivalent Input Noise Less than - 120dBm (IHF-A)
- Input Impedance 1MΩ
- Output Load Impedance More than 10kΩ
- Dimensions 70(W) × 55(H) × 125(D)mm
2-3/4(W) × 2-3/16(H) × 4-15/16(D)in.
- Weight 450g/1lb
- Sampling System 12 bit Linear
- Sampling Rate 70 kHz



ADJUSTMENT

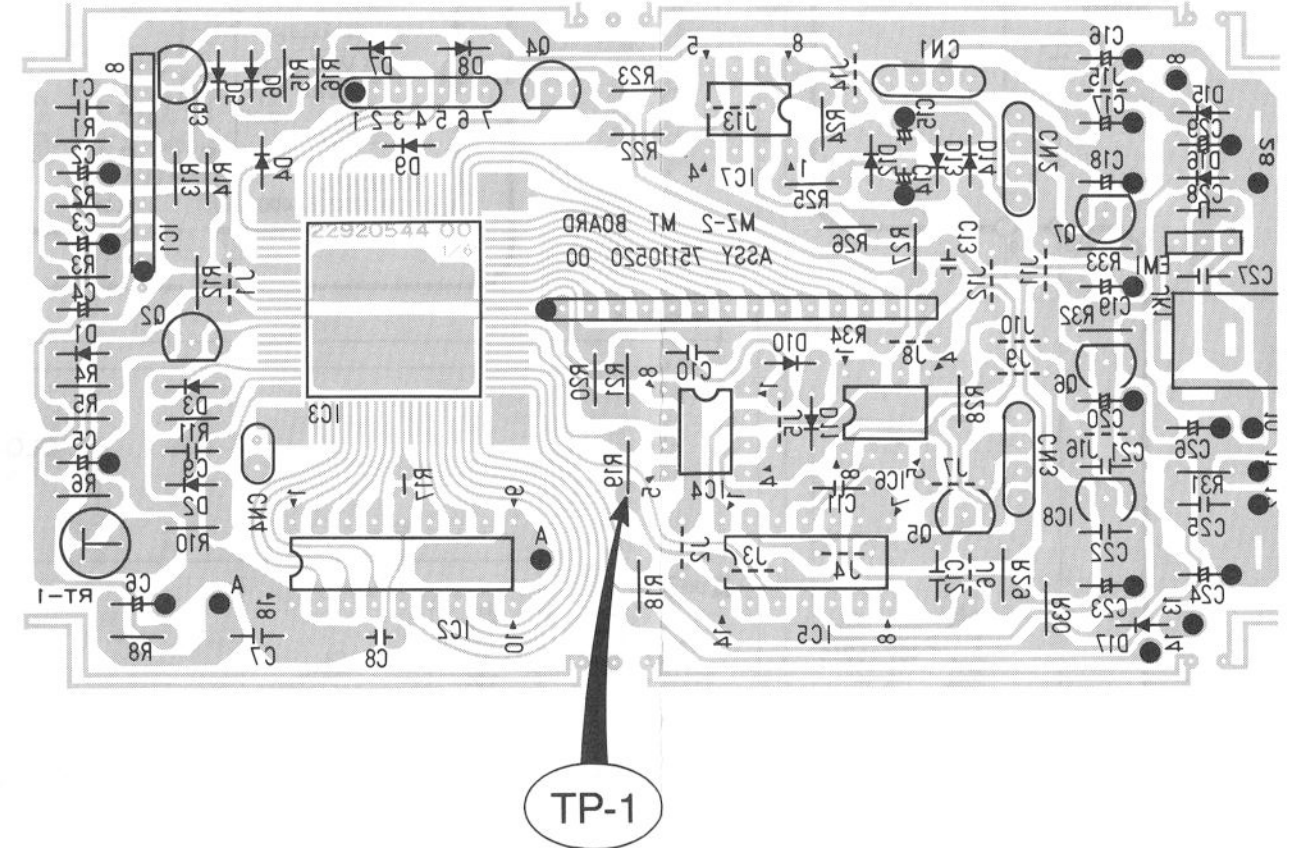
CLOCK FREQUENCY

1. Set MODE knob to SGL position (or any position except for CHO I and CHO II).
2. Connect a frequency counter to TP-1 (on MT board). (See Circuit Diagram.)
3. Adjust RT-1 (on MT board) for 70kHz.

調整仕様

クロック周波数

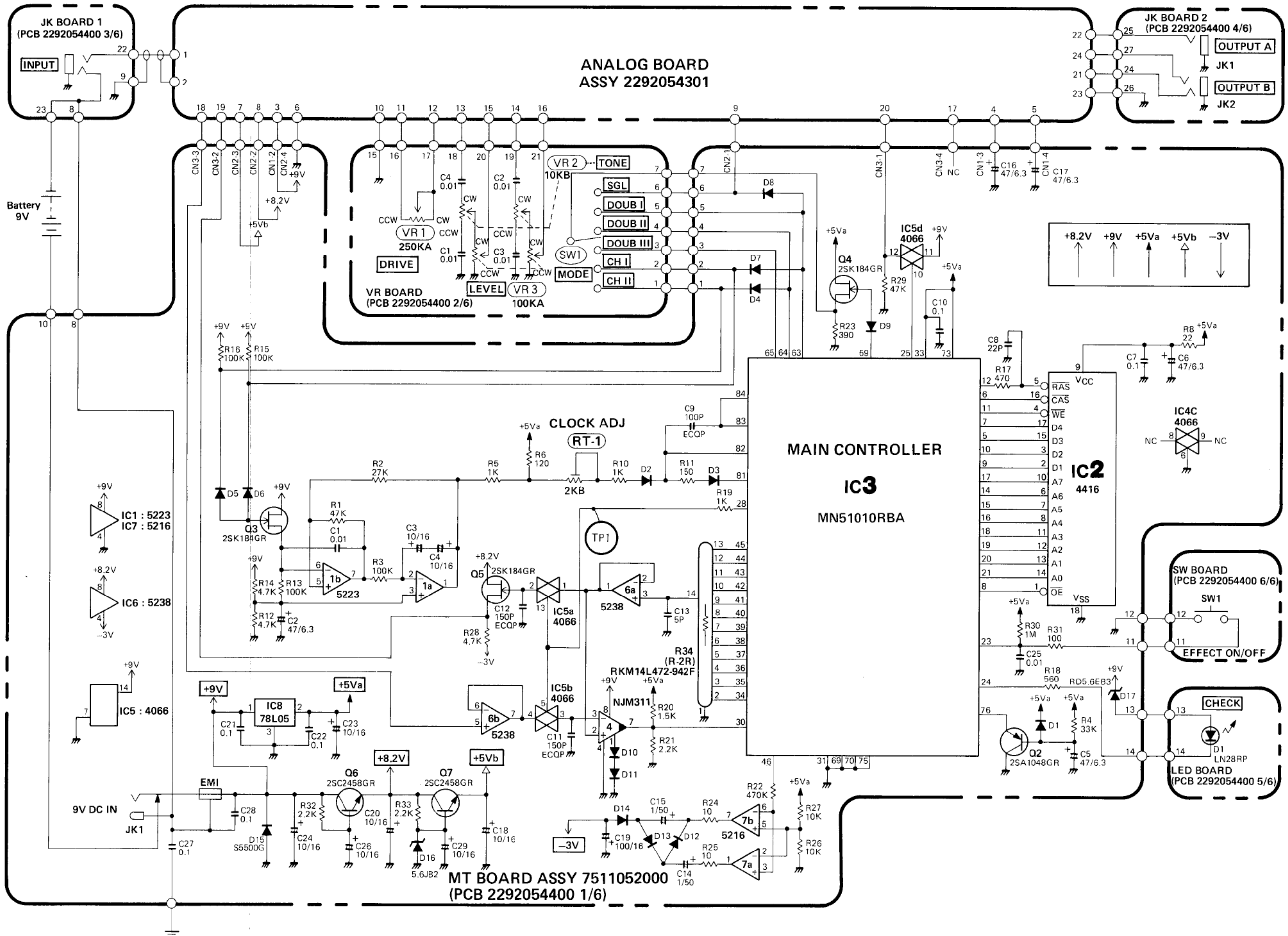
1. MODEつまみをSGLの位置にセットする。(CHO I、CHO II以外の位置であれば良い。)
2. TP-1 (MT基板)に周波数カウンタを接続する。(回路図参照)
3. 周波数が70kHzになる様にTR-1 (MT基板上)を調整する。



1 2 3 4 5 6 7 8 9 10 11 12 13 14 15 16 17 18 19 20 21 22 23 24 25 26 27 28 29 30 31 32 33 34 35 36 37 38 39

CIRCUIT DIAGRAM

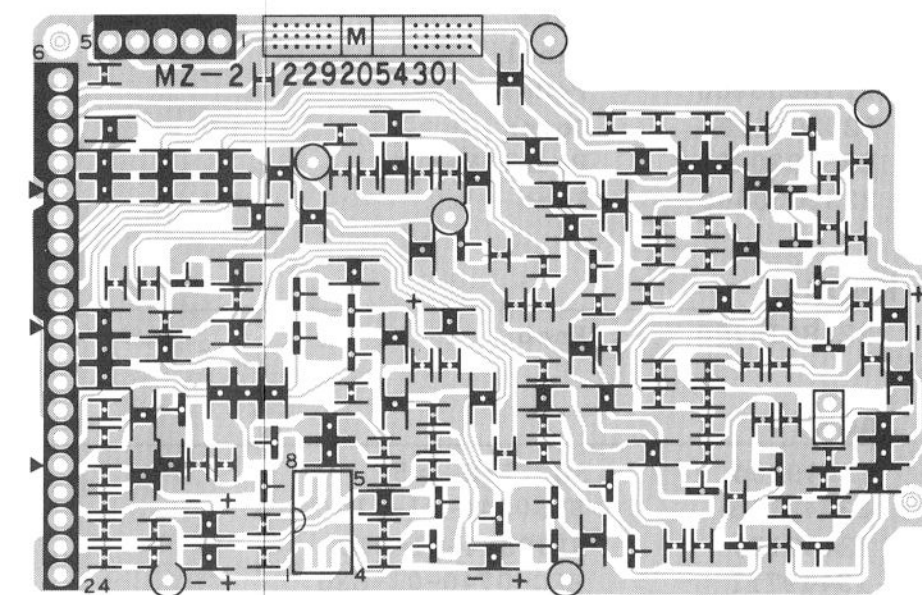
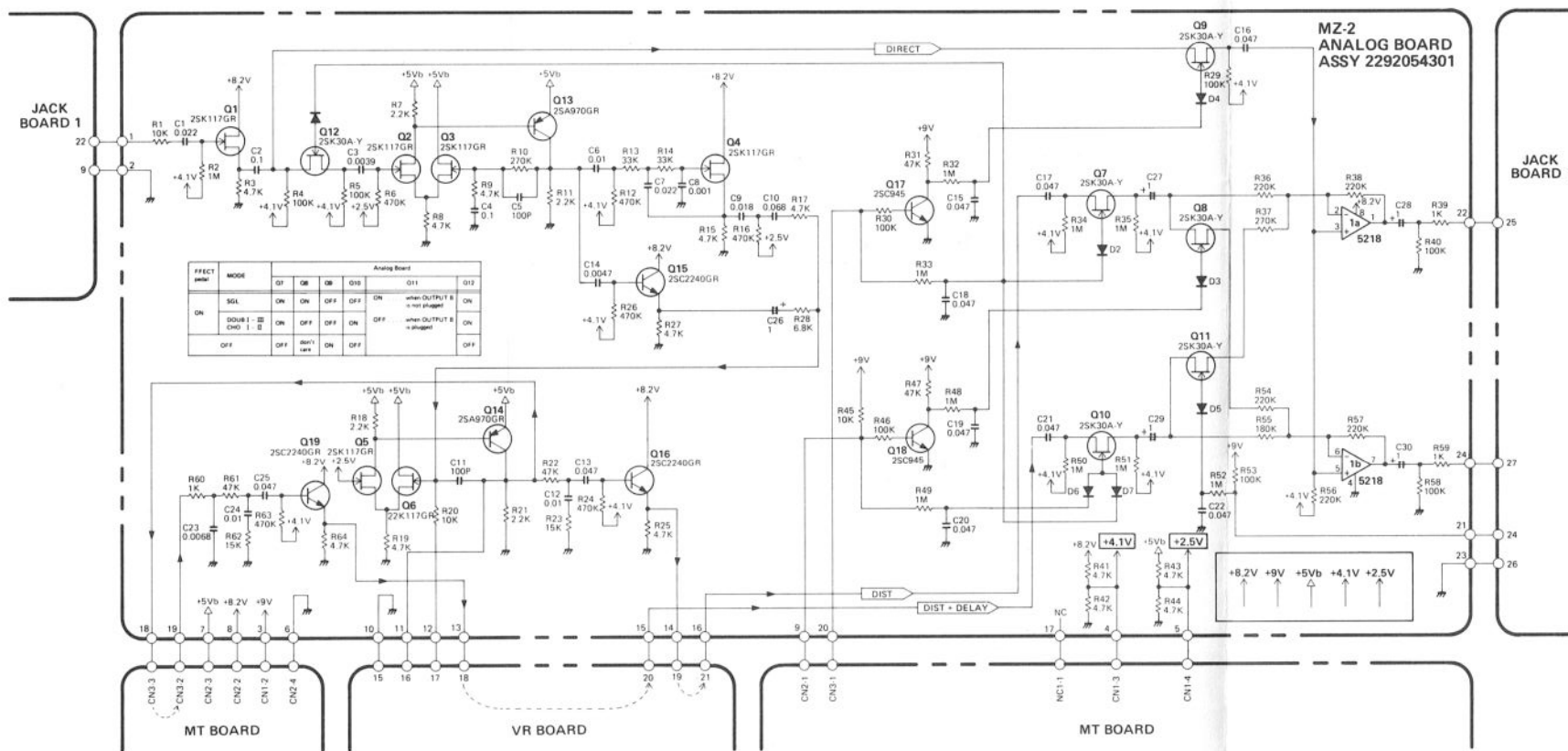
A
B
C
D
E
F
G
H
I
J
K
L
M
N
O
P
Q
R
S
T
U



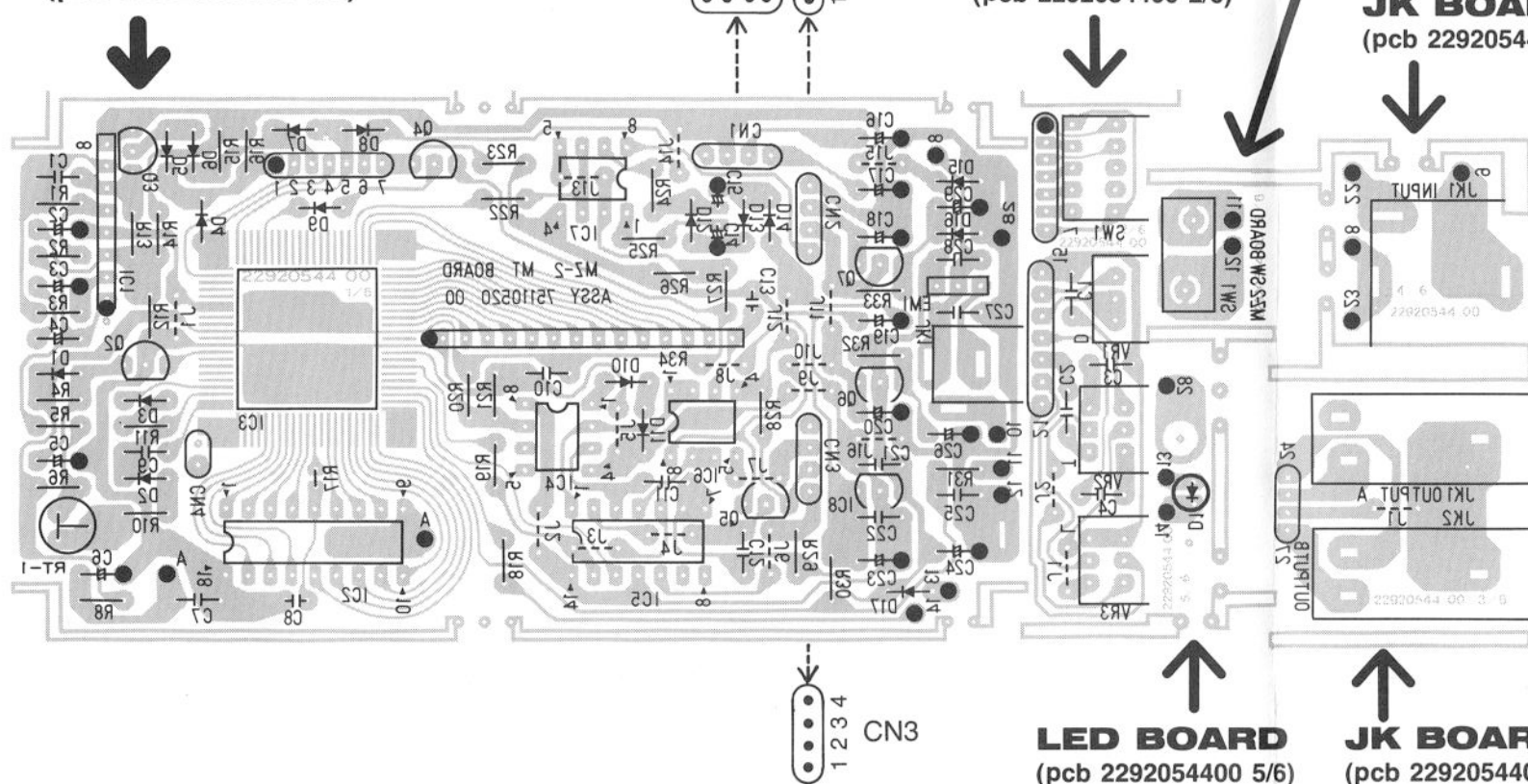
1 2 3 4 5 6 7 8 9 10 11 12 13 14 15 16 17 18 19 20 21 22 23 24 25 26 27 28 29 30 31 32 33 34 35 36 37 38

A
B
C
D
E
F
G
H
I
J
K
L
M
N
O
P
Q
R
S
T
U

ANALOG BOARD
ASSY 2292054301



MT BOARD
ASSY 751105220
(pcb 2292054400 1/6)



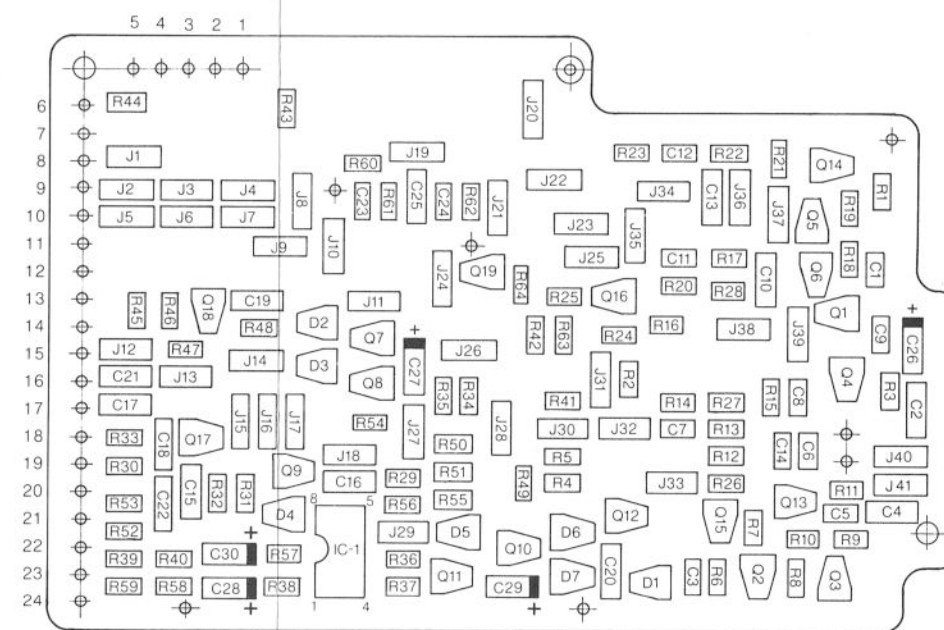
SW BOARD
(pcb 2292054400 6/6)

JK BOARD 2
(pcb 2292054400 4/6)

VR BOARD
(pcb 2292054400 2/6)

LED BOARD
(pcb 2292054400 5/6)

JK BOARD 1
(pcb 2292054400 3/6)



NOTE: Replacement MT board includes the following:
VR board, JK board 1, JK board 2, LED board,
SW board and ANALOG board.

注意：補修用MT boardは下記基板を含みます。
VR board, JK board 1, JK board 2, LED board,
SW board, ANALOG board.

PARTS LIST

CASING

2201021500	Case
2221058400	Panel
2218055800	Pedal
2202085100	Cover
2235030400	Pedal Mat
2235030500	Base

KNOB

2248014700	Knob	red
------------	------	-----

JACK

13449104	SG-7713 #5	INPUT
13449155	HLJ0544-01-110	OUTPUT A
13449150	HLJ0544-01-010	OUTPUT B
13449711	HEC-0740-01-630	9V DC IN

SWITCH

13119512	SRBM16	rotary	MODE
13129710	JM-0404	push	EFFECT ON/OFF

PCB ASSY

7511052000	MT Board	(PCB 2292054400 1/6)
Replacement MT Board includes the following 6 boards.		
補修用MT Boardは下記6基板を含みます。		
Analog Board (ASSY 2292054301)		
NOTE: Chip parts on Analog board are not available.		
注意: Analog board 上のチップ部品は供給されません。		
	VR Board	(PCB 2292054400 2/6)
	JK Board 1	(PCB 2292054400 3/6)
	JK Board 2	(PCB 2292054400 4/6)
	LED Board	(PCB 2292054400 5/6)
	SW Board	(PCB 2292054400 6/6)

IC

15229875	MN51010RBA	BOS-008	gate array
15179376	MB81416-10		4x16k DRAM
15189193	M5238P		op-Amp
15189185	M5223L		op-Amp
15189183	M5216P		op-Amp
15189111J1	NJM311D		comparator
15159115H0	HD14066BP		analog switch
15199144	upc78L05J		voltage regulator

TRANSISTOR

15119149	2SA1048GR	PNP
15129185	2SC2458GR	NPN
15139131	2SK-184-GR	FET

DIODE

15019209T0	S-5500G		
15019303	RD5.6JB-2	zener	
15019526	RD5.6EB-3	zener	
15019125	1SS-133		
15029198	LN-28RP	LED	CHECK

POTENTIOMETER

13279853	EVZNCAP15B14	10kx2	TONE
13279852	EVZNCAP15A15	100kAx2	LEVEL
13279851	RK0971110	250kA	DRIVE
13299216	EVN-5ACA00B23	2kB	RT-1

MISCELLANEOUS

13589331M0	ECQ-P1H101JZ	100pF/50V
13589330M0	ECQ-P1H151JZ	150pF/50V
13919175	RKM14L472-942F	R-2R
2220011800	PCB Holder	4P h=7mm
2220014500	PCB Holder	2P h=7mm
13529145	DSS306-55FZ103N	EMI Filter