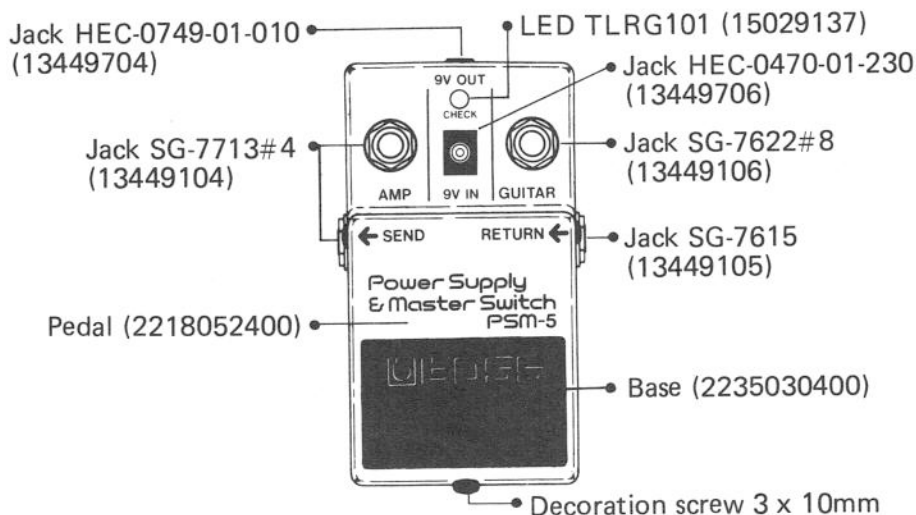
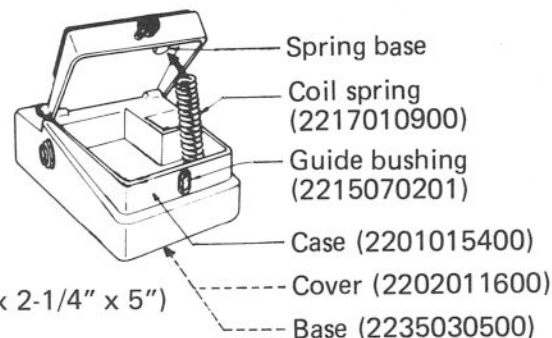


# BOSS PSM-5 SERVICE NOTES

First Edition

## SPECIFICATIONS

Power . . . . . 9V DC 200mA  
 Current Draw . . . . . Master Switch section:  
 9V DC 13mA  
 Input Impedance . . . . . GUITAR: 1M $\Omega$   
 RETURN: 1M $\Omega$   
 Output Load Impedance . . AMP: over 10k $\Omega$   
 SEND: over 10k $\Omega$   
 Gain . . . . . Unity  
 Frequency Response . . . . 10Hz - 100kHz (-3dB)  
 Dimensions . . . . . 70(W) x 55(H) x 125(D)mm (2-3/4" x 2-1/4" x 5")  
 Weight . . . . . 340g (12 oz)



### PARTS LIST

2201015400	Case	red	
2218052400	Pedal	red	
2202011600	Cover	bottom	(065-130)
2235030400	Base	pedal matt	(111-031)
2235030500	Base	bottom	(111-032)
2215070201	Guide bushing		(068-026)
2226030500	Cushion		(107-053)
2216050200	Spacer	pcb-rear cover	(065-153)
2217010900	Coil spring		(070-059)

### JACK

13449704	HEC-0749-01-010	AC adaptor	
13449706	HEC-0470-01-230		
13449104	SG-7713#4		(009-036)
13449106	SG-7622#8		(009-012)
13449105	SG-7615		(009-001)

### SWITCH

13129710	JM-0404		(001-295)
----------	---------	--	-----------

### PCB

7540251002	Assy ET5402-510	(pcb 2291053601)
------------	-----------------	------------------

### SEMICONDUCTOR

15189102	NJM4558DD	IC	(020-071)
15139101	2SK30ATM-Y	FET	(017-014)
152191290R	2SC1687-R	Tr	
15119105	2SA733	Tr	(017-024)
15019523	RD5.1EB-3	Zener	(018-075)
15019103	1S2473	LED	(018-014)
15019209T0	S5500G	diode	
15029137	TLRG101	LED	

The following are not spare parts but available on the commercial basis.

2343075100 Parallel DC cord

### AC ADAPTOR

12449509	PSA-100
12449510	PSA-120
12449511	PSA-220
12449512	PSA-240

# ET5402-510 (7540251002)(pcb 2291053601)

1 2 3 4 5 6 7 8 9 10 11 12 13 14 15 16 17 18 19 20 21

A  
B  
C  
D  
E  
F  
G  
H  
I  
J  
K  
L  
M  
N  
O  
P  
Q  
R  
S  
T  
U

