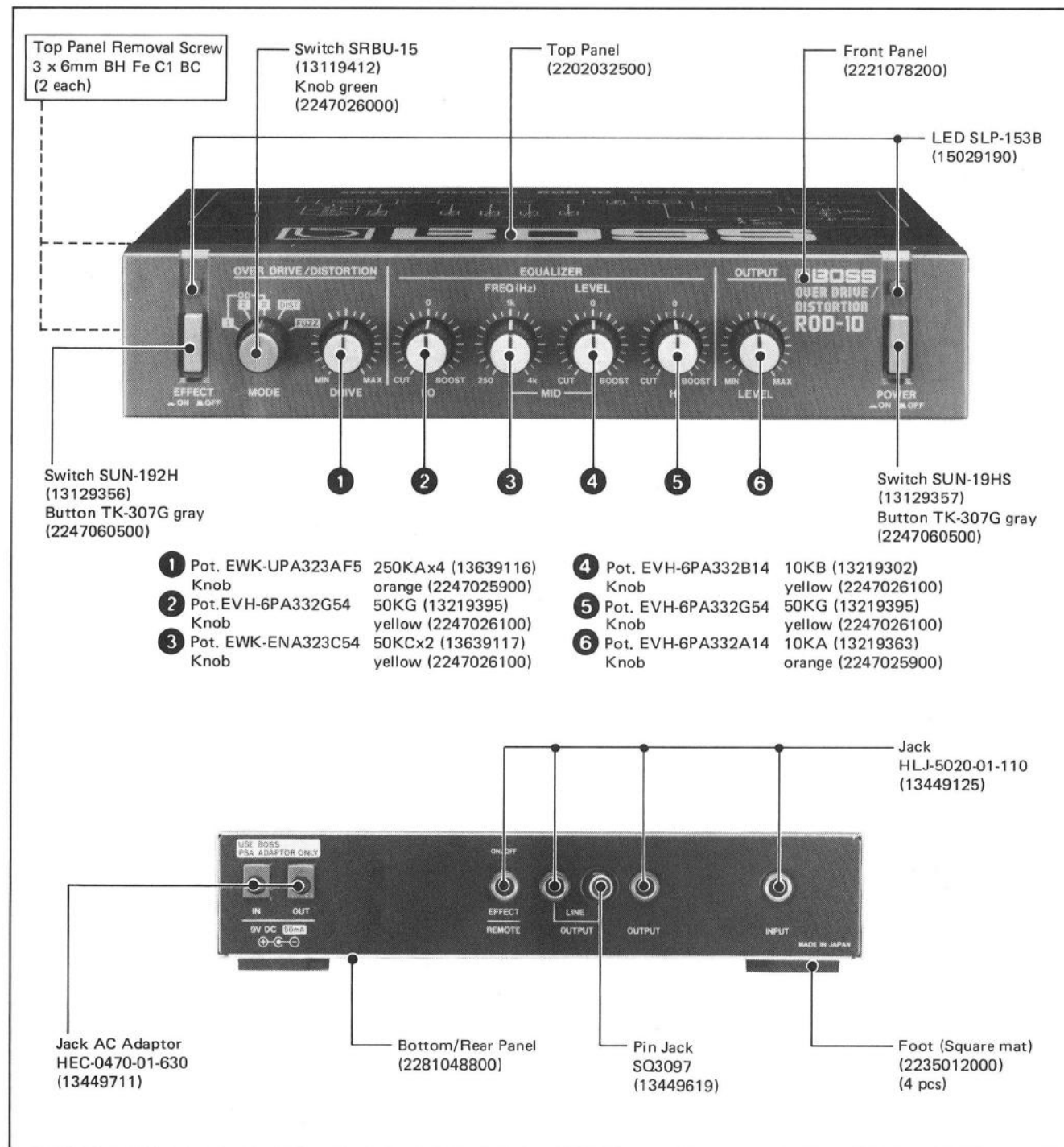


BOSS ROD-10 SERVICE NOTES

First Edition

SPECIFICATIONS

Power Source : 9V DC (BOSS PSA-120, 220, 240 or RPW-7)
Current Draw : 50mA @9V
Input Level/Impedance : -20dBm/1MΩ
Output Level/Impedance : -20dBm/2KΩ
Output Load Impedance : 10KΩ or more
Residual Noise : -80dBm or less @ EFFECT OFF
 -70dBm or less @ MODE ODI, II
 -60dBm or less @ MODE ODIII
 -55dBm or less @ MODE DIST
 -65dBm or less @ MODE FUZZ
Dimensions : 218 (W) x 169 (D) x 44 (H) mm
 8-9/16(W) x 6-11/16(D) x 1-3/4(H) in.
Weight : 900 g/2 lb.



PARTS LIST

CASING

2202032500	Top Panel
2281048800	Bottom/Real Panel
2221078200	Front Panel
2235012000	Foot (Square mat)

PCB ASSY

7413751000	MT BOARD (pcb 2292039900)
------------	---------------------------

KNOB, BUTTON

2247060500	Button TK-307G	gray	EFFECT, POWER
2247025900	Knob	orange	DRIVE, LEVEL
2247026000	knob	green	MODE
2247026100	knob	yellow	LO, MID FREQ, MID LEVEL, HI

POTENTIOMETER

13219302	EVH-6PA332B14	10KB	MID, LEVEL
13219363	EVH-6PA322A14	10KA	OUTPUT, LEVEL
13219395	EVH-6PA322G54	50KG	LO, HI
13639116	EWK-UPA323AF5	250KA x 4	DRIVE
13639117	EWK-ENA323C54	50KC x 2	MID, FREQ

SWITCH

13129356	SUN-192H		EFFECT
13129357	SUN-19HS		POWER
13119412	SRBU-15	rotary	MODE

JACK

13449125	HLJ-0520-01-110	phone(mono)	REMOTE, LINE OUT
13449619	SQ3097	pin	OUTPUT, INPUT
13449711	HEC-0470-01-630		LINE OUT
			9V DC IN, 9V DC OUT

IC

15189189	μ PC4570HA		OP amp
15189136	M5218L		OP amp

TRANSISTOR

15119105	2SA733-P	PNP
15119111	2SA970-GR	PNP
15129108	2SC945-P	NPN
15129120	2SC2240-GR	NPN
15129136	2SC2878	NPN
15139106	2SK117-GR	FET
15139101	2SK30A-Y	FET

DIODE

15019209	S5500G	rectifier
15019125	1SS-133	
15019304	RD6.2JB-2	zener
15029190	SLP-153B	LED red

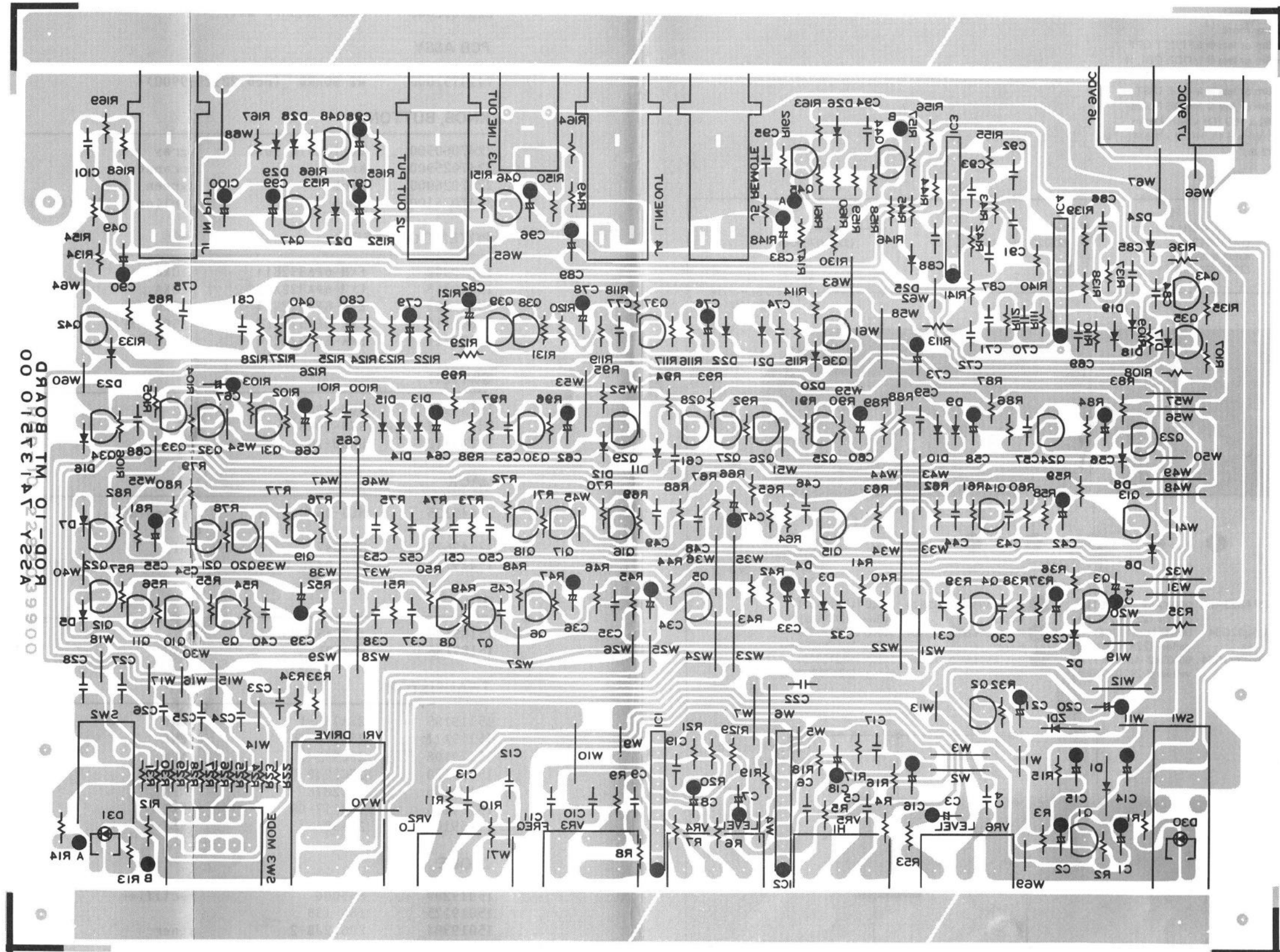
MISCELLANEOUS

2348017400	DC Cord L-500	50 cm
------------	---------------	-------

1 2 3 4 5 6 7 8 9 10 11 12 13 14 15 16 17 18 19 20 21 22 23 24 25 26 27 28 29 30 31 32 33 34 35

A
B
C
D
E
F
G
H
I
J
K
L
M
N
O
P
Q
R
S
T
U

MT BOARD
7413751000
(pcb 2292039900)



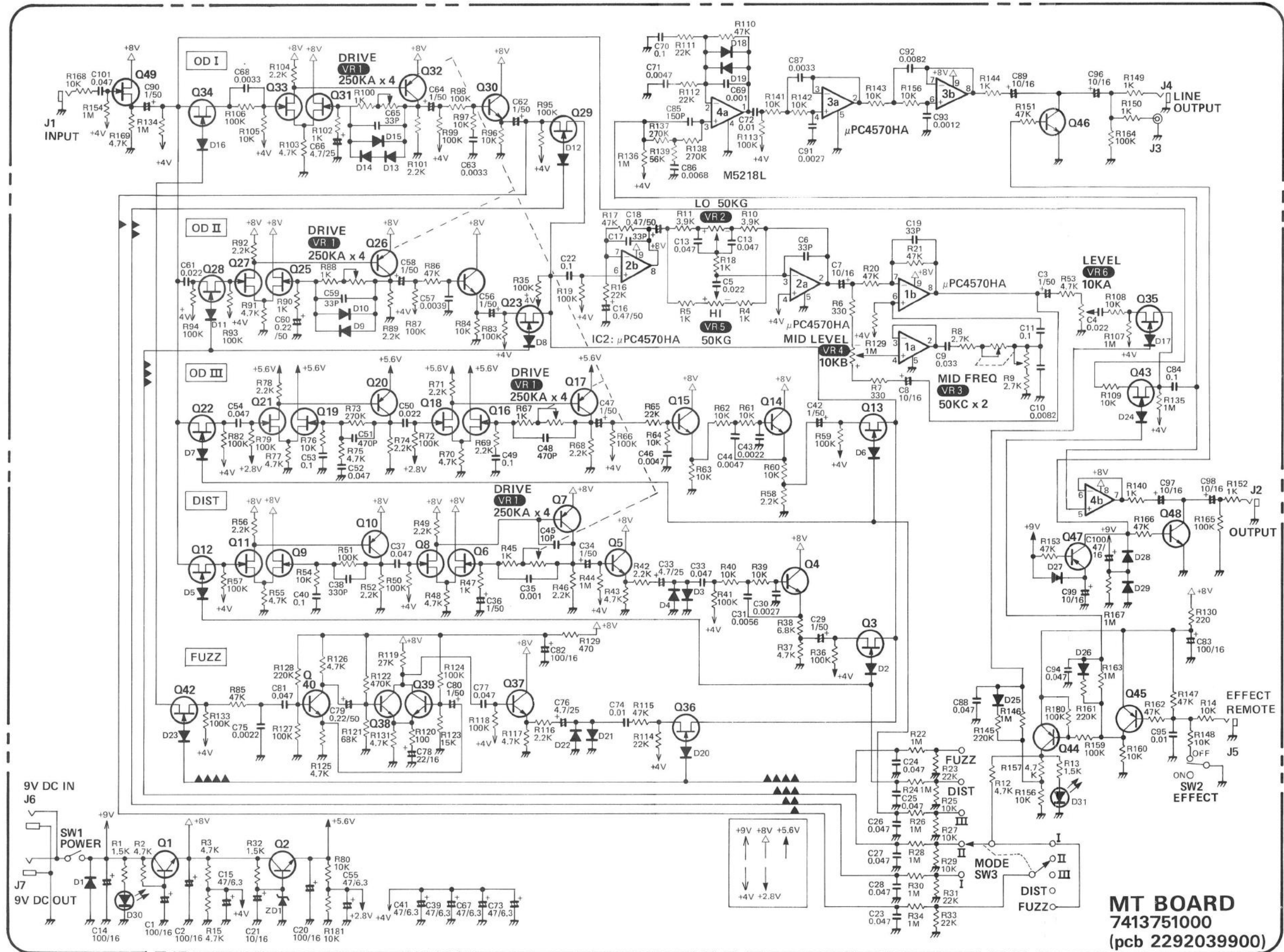
39900
DOR
TM
01-222
TA
32100

View from foil side

1 2 3 4 5 6 7 8 9 10 11 12 13 14 15 16 17 18 19 20 21 22 23 24 25 26 27 28 29 30 31 32 33 34 35 36 37

CIRCUIT DIAGRAM

A
B
C
D
E
F
G
H
I
J
K
L
M
N
O
P
Q
R
S
T
U

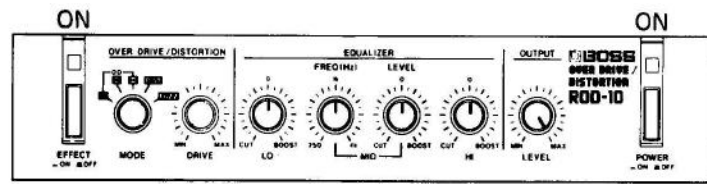


MT BOARD
7413751000
 (pcb 2292039900)

- Q1,2...2SC945-P Q3,12,13,22,23,28,29,34,35,36,42,43...2SK30A-Y
- Q4,5,14,15,24,30,37,38,39,40...2SC2240-GR Q46,48...2SC2878 Q44,45,47...2SA733-P
- Q6,8,9,11,16,18,19,21,25,27,31,33,49...2SK117-GR Q7,10,17,20,26,32...2SA970-GR

1. WAVEFORM CHECK

1-1. Set controls as shown below.



1-2. Connect an audio generator to INPUT jack and feed a 20mVpp, 200Hz squarewave.

1-3. Connect a scope to OUTPUT jack and verify each waveform with both MODE and DRIVE set as shown in the table below.

[RANGE: 2V/DIV, 1ms/DIV
5V/DIV, 1ms/DIV... with ODIII MAX]

MODE	DRIVE		
	MIN	CENTER	MAX
ODI	15mVpp 	250mVpp 	600mVpp
ODII	70mVpp 	700mVpp 	1Vpp
ODIII	450mVpp 	1.4Vpp 	2Vpp
DIST	500mVpp 	900mVpp 	1.2Vpp
FUZZ	20mVpp 	500mVpp 	600mVpp

1. 出力波形の確認

1-1. 下記の通りセッティングする。

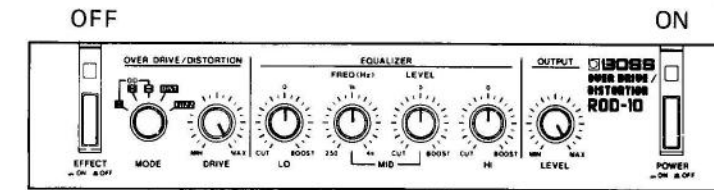
1-2. INPUTジャックにオーディオ発振器を接続し、200Hz、20mVppの矩形波を印加する。

1-3. OUTPUTジャックにオシロスコープを接続し、各モードごとにDRIVEつまみを回しMIN、中央、MAXの時の波形を確認する。

[レンジ: 2V/DIV, 1ms/DIV
5V/DIV, 1ms/DIV... ODIII MAX時]

2. RESIDUAL NOISE CHECK

2-1. Set controls as shown below.



2-2. Check noise output level according to the table below.

2. 残留ノイズ確認

2-1. 下記の通りセッティングする。

2-2. 下表の様にそれぞれEFFECT、MODEを設定し、ミリボルを各ジャック(LINE OUT 又は OUTPUT)に接続してノイズレベルが表示値以下であることを確認する。

EFFECT	MODE	VOLTMETER TO:	NOISE LEVEL
OFF	unconditional 任意の位置	LINE OUT	-80dBm or less (No pulse noise)
ON	ODI	OUTPUT	-70dBm or less
	ODII		-70dBm or less
	ODIII		-60dBm or less
	DIST		-55dBm or less
	FUZZ		-65dBm or less

ROD-10 CORRECTION 正誤表

