

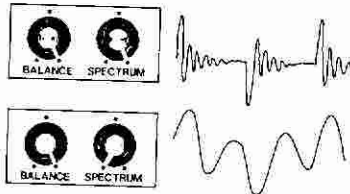
GAIN ADJUSTMENT

test signal: 5KHz±10%, sine, -20dBm, set SPECTRUM, BALANCE at max. (FCW), adjust trimmer pot. 1K for 2.5dBm output at peaking freq. (5KHz±10%)

NOTE: peaking freq. response
500~600Hz 0~-5dBm
with SPECTRUM at min. (FCW)

OUTPUT WAVEFORM CHECKING (EFFECT)

test signal: 200Hz, square, 80mVpp



ET5202-510A (P/N 7529251000)

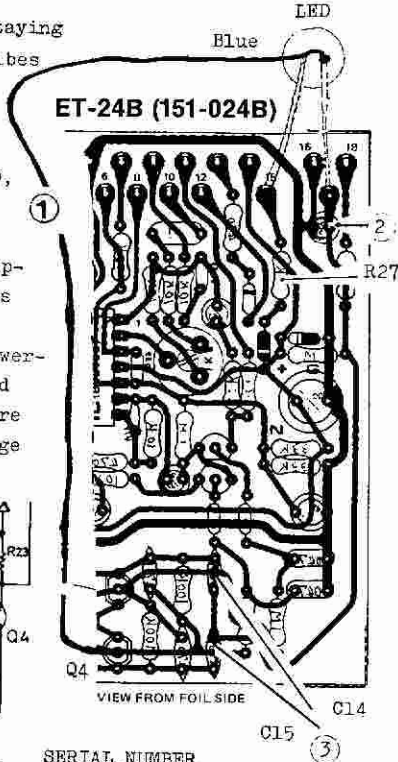
(pcb 2291032204 or 052-282D)
Serial number with 9100

ET-24B MODIFICATION
CONTINUOUS LED LIGHTING

ET-24B does not keep the LED staying on in EFFECT mode. Below describes modification steps.

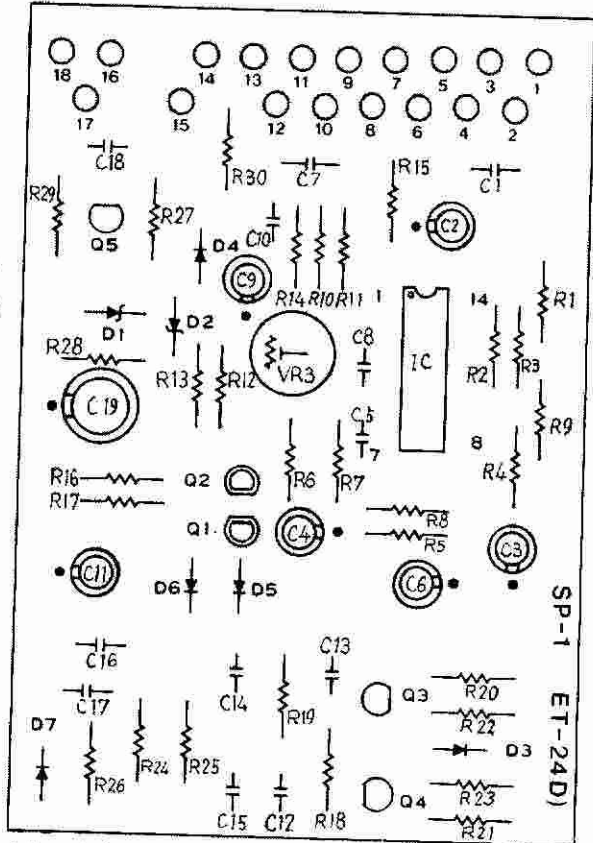
1. Reroute LED blue lead to Q4 collector.
2. Replace C18, 1/50 or 0.47/50, with 0.01μfd mylar.
3. Changing of C14 and C15 to 220pF will ensure stable flip-flop at lower supply voltages (6-7V).

For long battery life, lower-power-consumption LED SLP-135B is used with later PCBs. If the LEDs are changed, another necessary change is R27, from 1k to 3.9k.

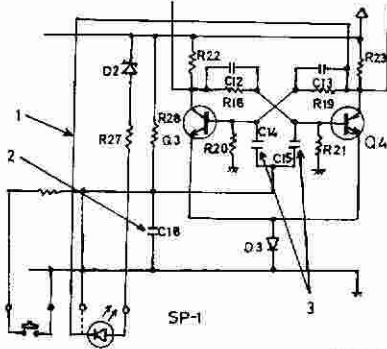


SERIAL NUMBER

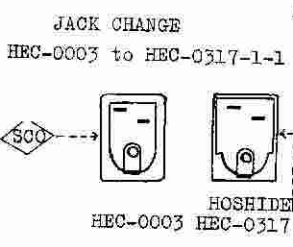
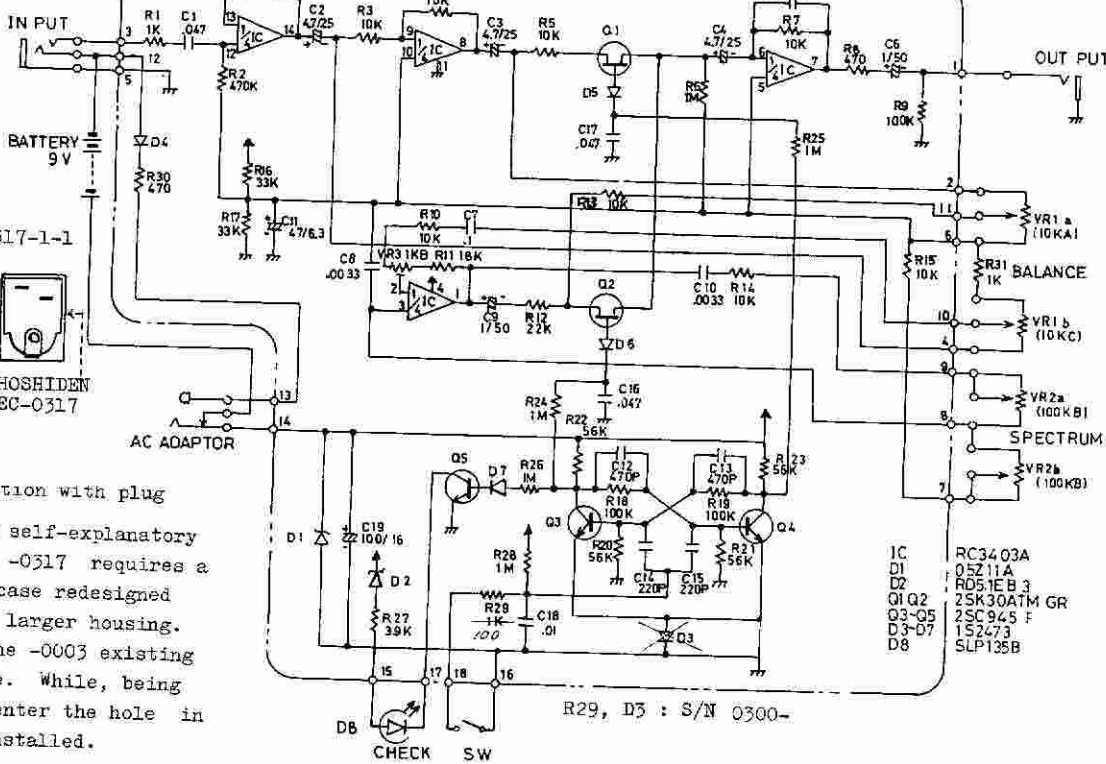
stamped on case top
First two digits re-cycle when exhausted.
--- 9100 --- 9900 --- 0000 --- 0300 ---



SP-1 ET-24D



SP-1



For positive connection with plug
As can be seen from self-explanatory figures above, type -0317 requires a mounting hole in a case redesigned to accommodate its larger housing. It cannot replace the -0003 existing in an exclusive case. While, being smaller, -0003 can enter the hole in a new case and be installed.

- IC RC34 03A
- D1 052 11A
- D2 RD5.1E B 3
- Q1 Q2 2SK 30ATM GR
- Q3-Q5 2SC 945 F
- D3-D7 152473
- D8 SLP135B

R29, D5 : S/N 0300-