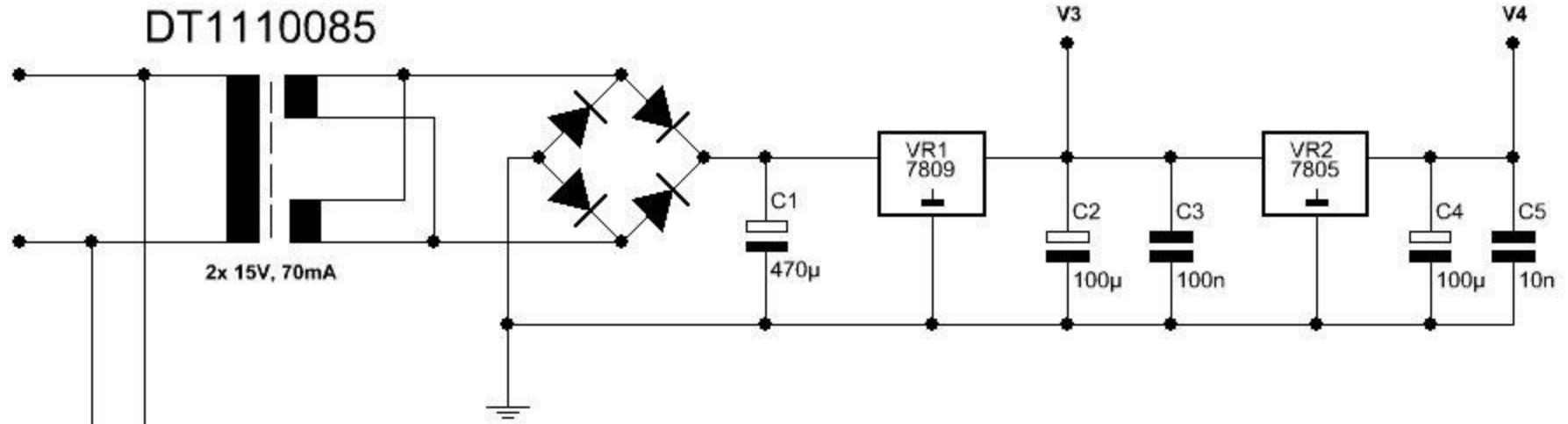


DT1110085

AC in



DT1010135

2x 15V, 67mA

