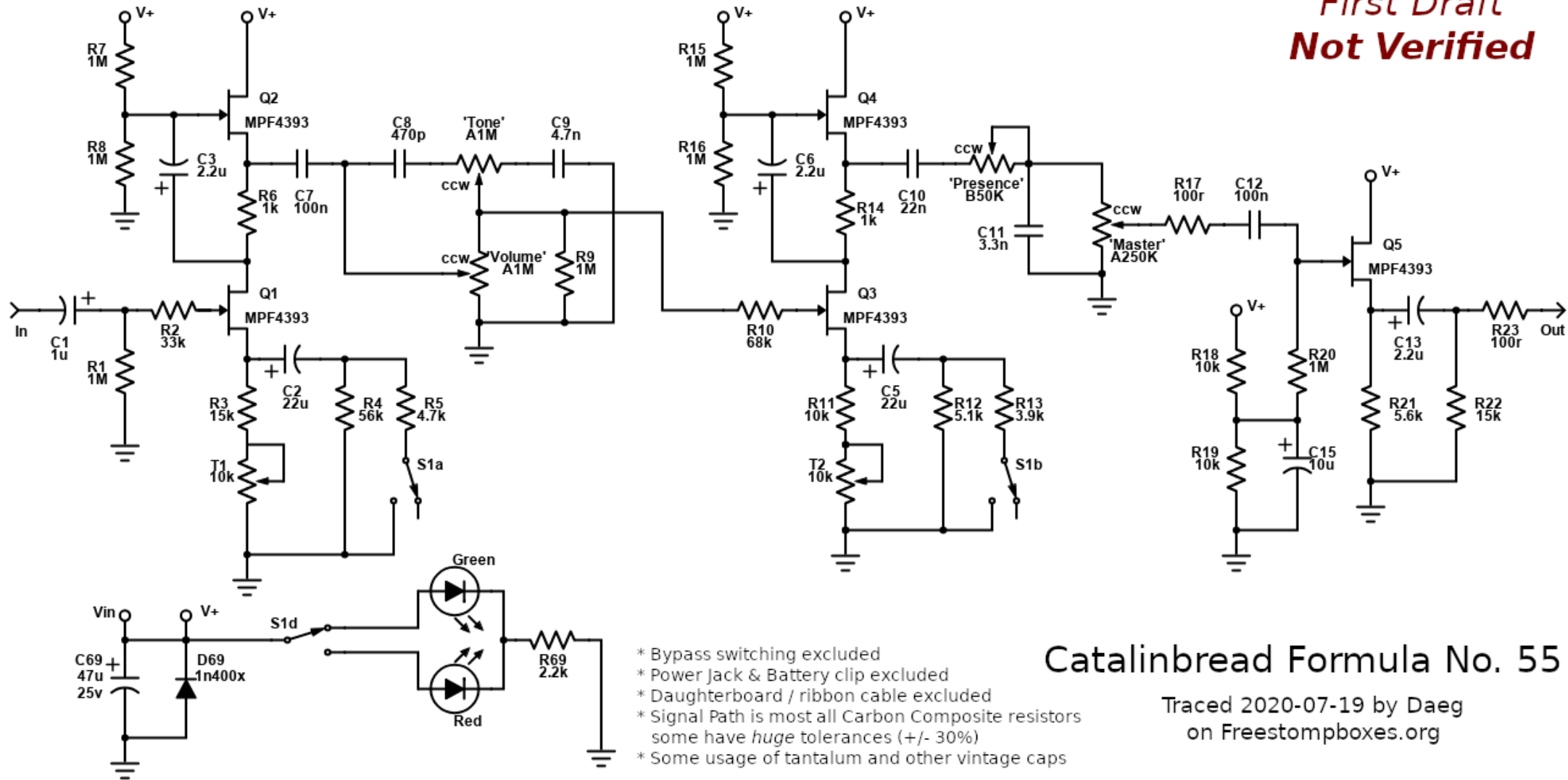


*First Draft  
Not Verified*



- \* Bypass switching excluded
- \* Power Jack & Battery clip excluded
- \* Daughterboard / ribbon cable excluded
- \* Signal Path is most all Carbon Composite resistors some have huge tolerances (+/- 30%)
- \* Some usage of tantalum and other vintage caps

Catalinbread Formula No. 55

Traced 2020-07-19 by Daeg  
on Freestompboxes.org