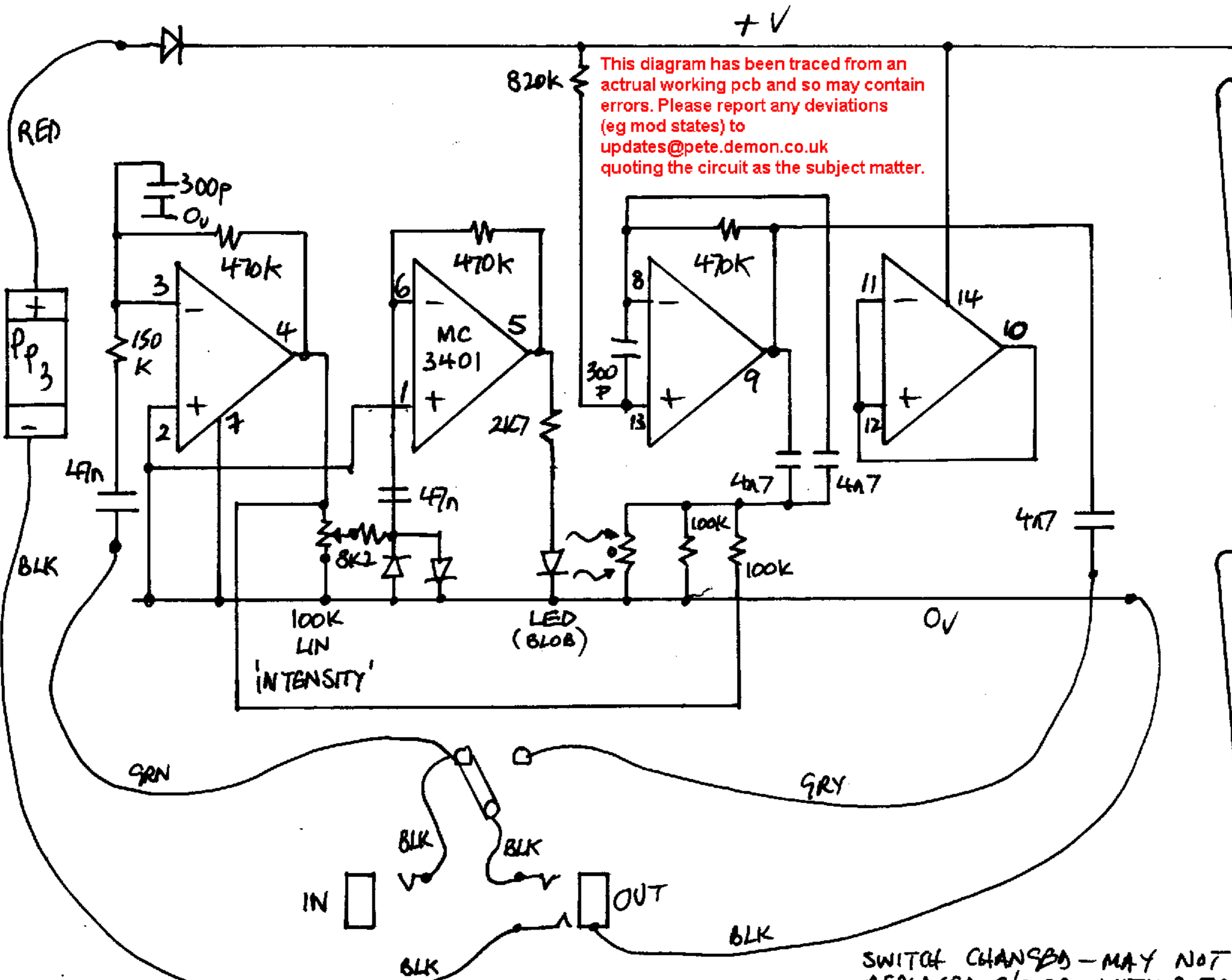


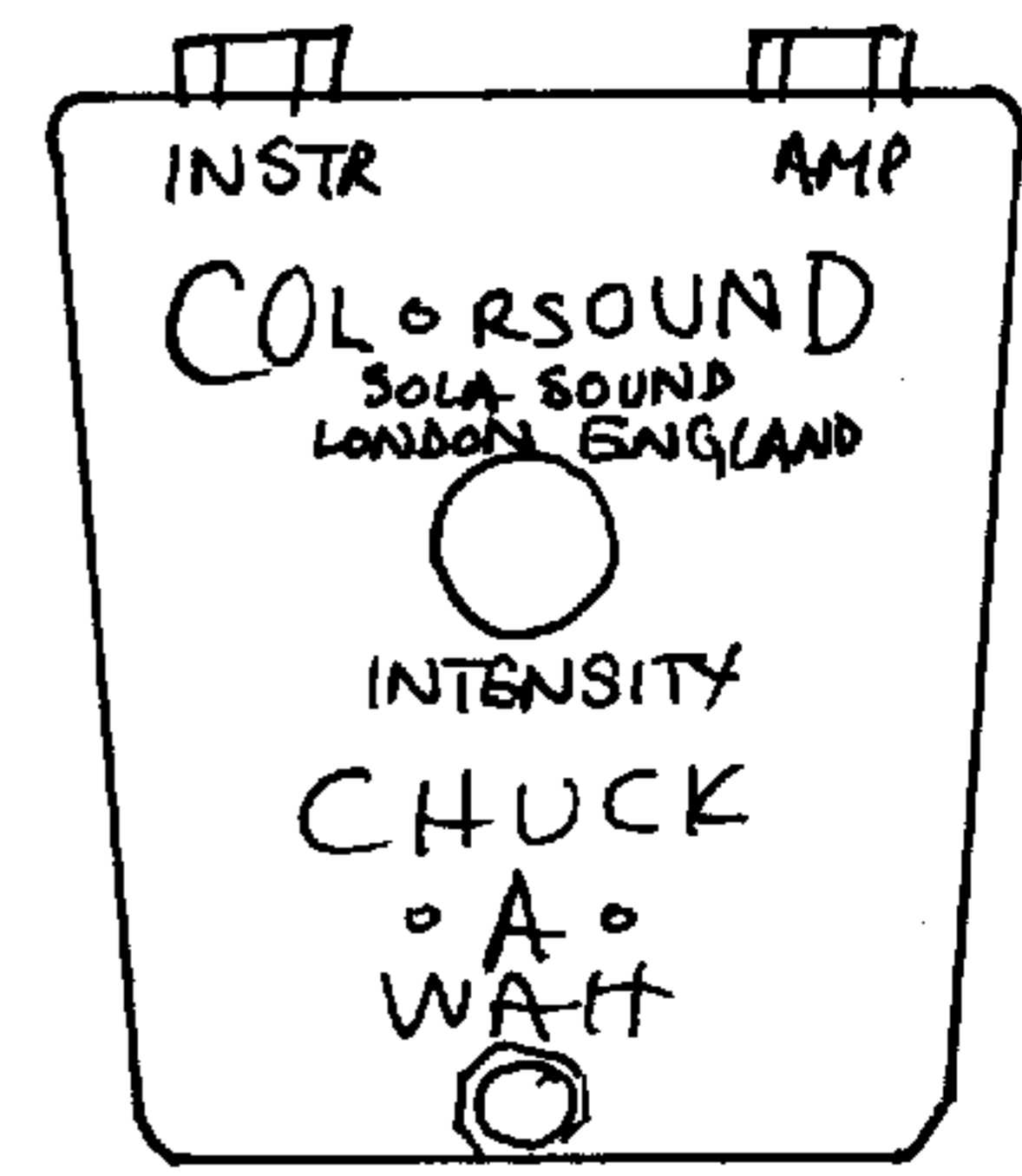
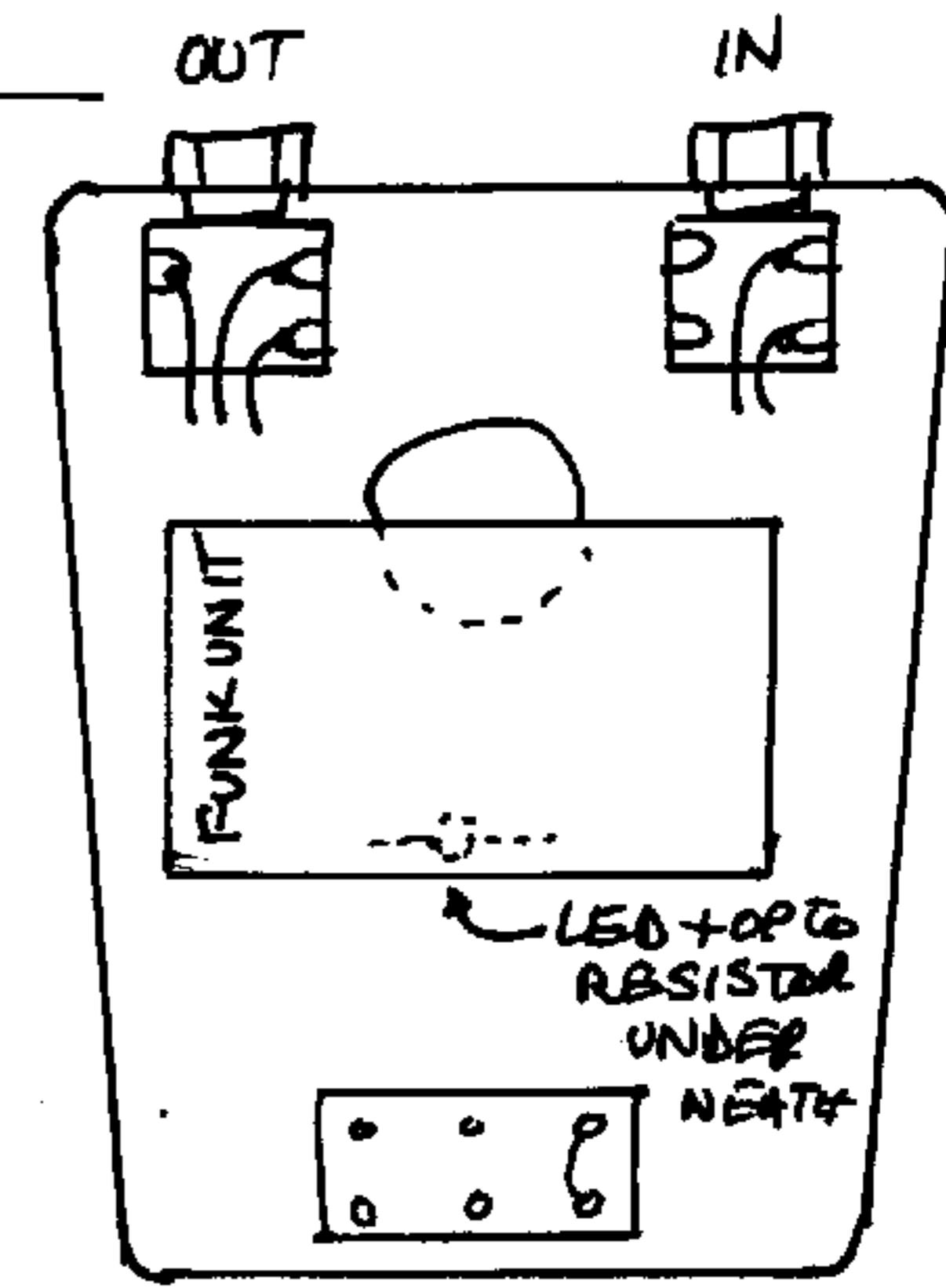
COLORSOUND

CHUCK·A·WAH (1 OF 2)

(1 OF 2)



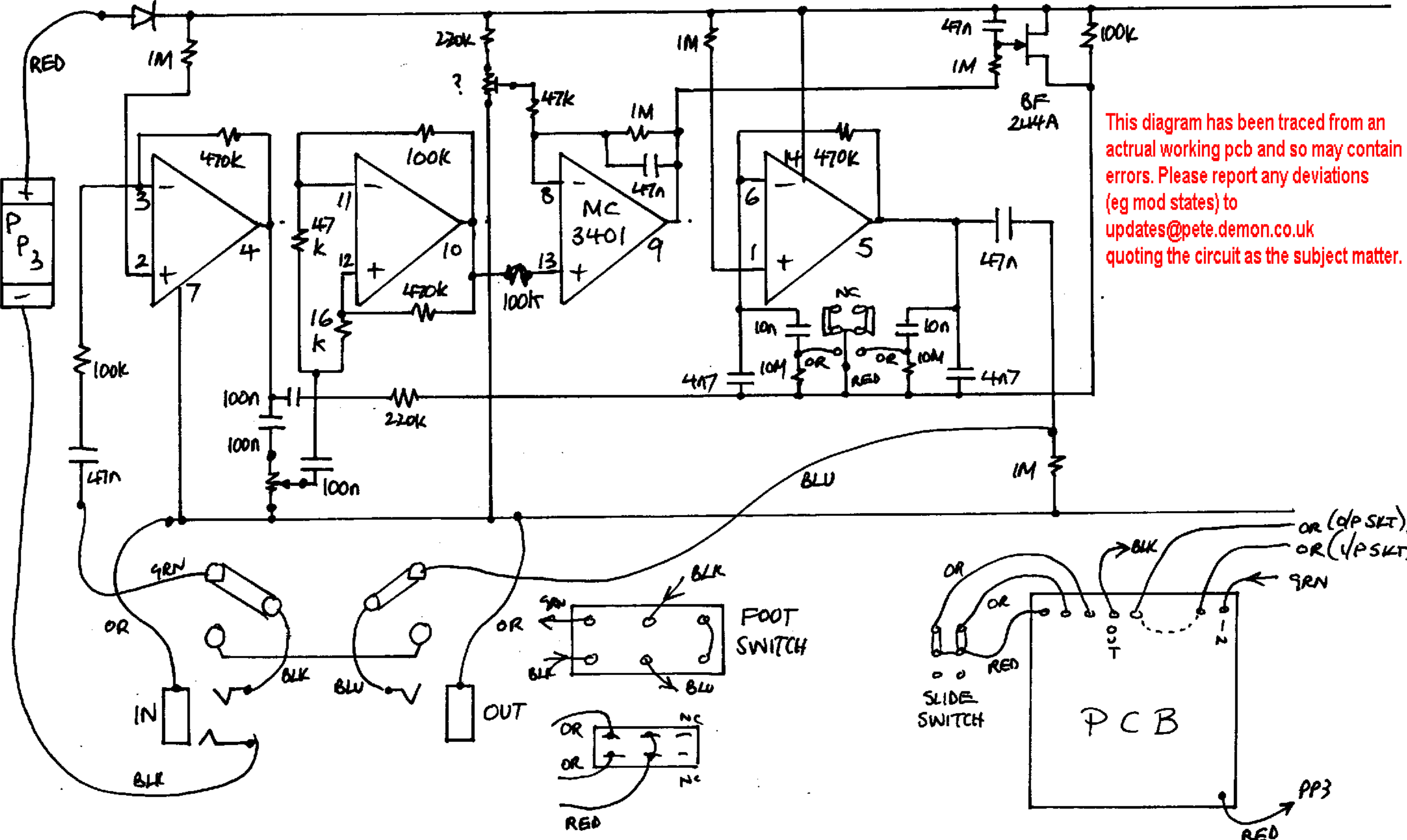
This diagram has been traced from an actual working pcb and so may contain errors. Please report any deviations (eg mod states) to updates@pete.demon.co.uk quoting the circuit as the subject matter.



NOT TO SCALE

SWITCH CHANGING - MAY NOT HAVE BEEN ORIGINAL REPLACED C/OUER WITH 2 POLE

COLORSOUND CHUCK-A-WAH (2 OF 2)



This diagram has been traced from an actual working pcb and so may contain errors. Please report any deviations (eg mod states) to updates@pete.demon.co.uk quoting the circuit as the subject matter.