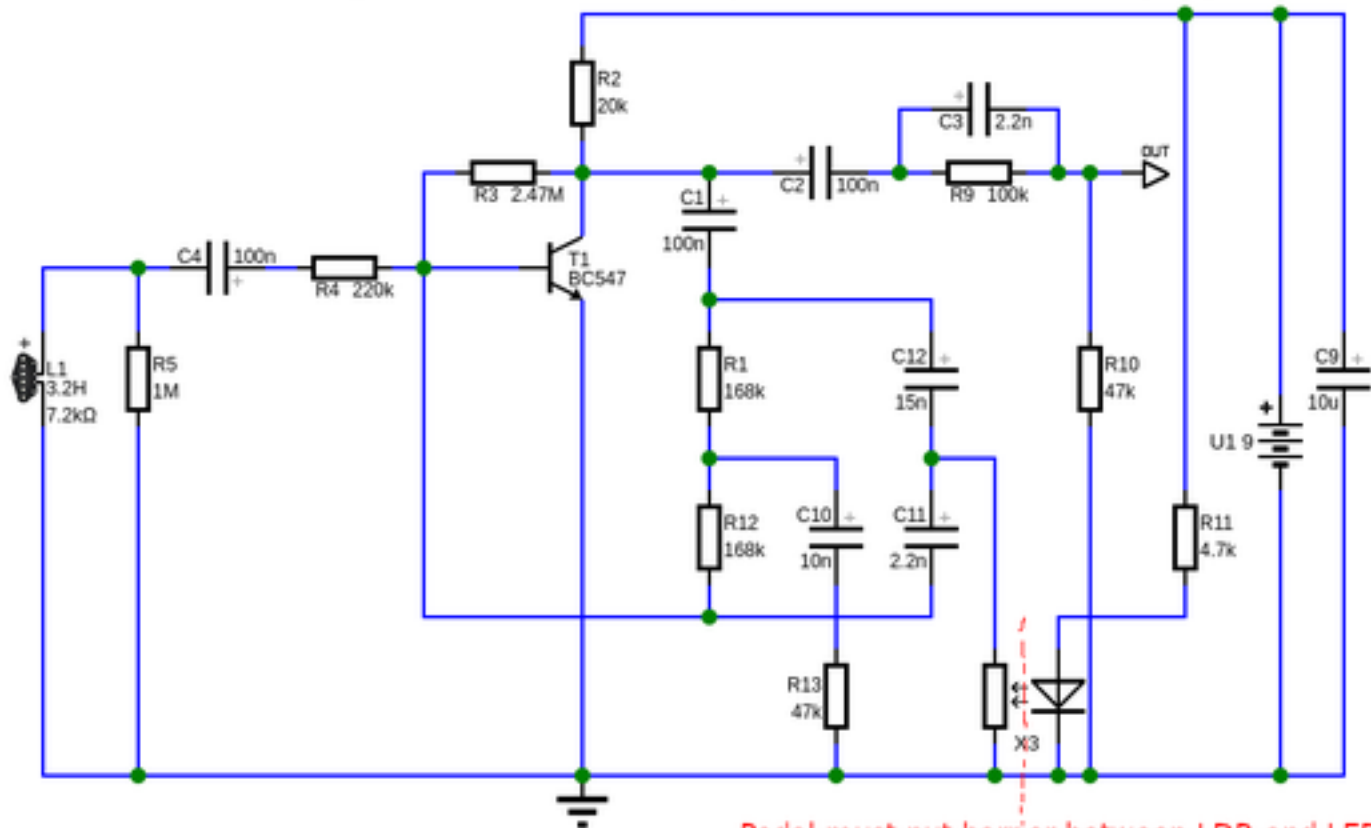
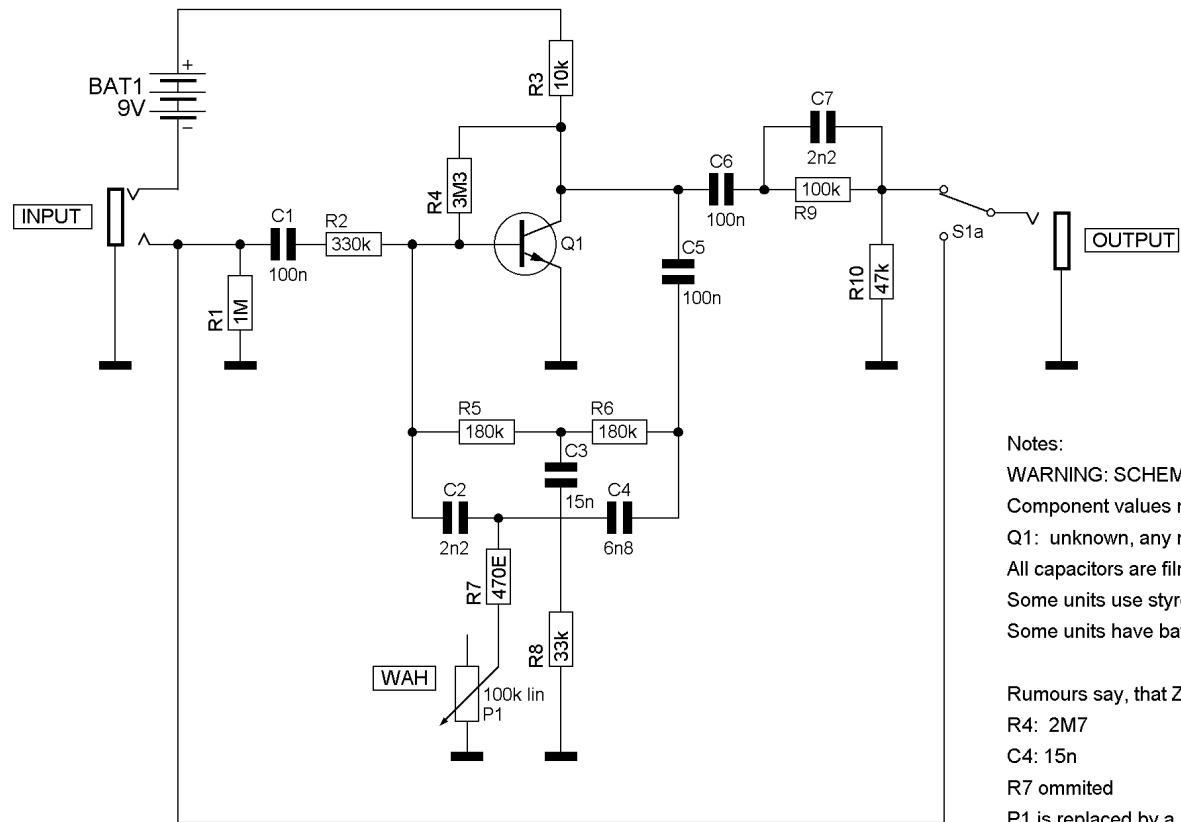


Colorsound Wah, original schematic <http://beavisaudio.com/projects/colorsoundwah/>



Pedal must put barrier between LDR and LED



Notes:

WARNING: SCHEMATIC MAY CONTAIN ERRORS !

Component values not verified

Q1: unknown, any medium gain Si-transistor should work

All capacitors are film-capacitors

Some units use styroflex-capacitors for C2, C4 and C7

Some units have battery-switching on the output-jack

Rumours say, that Zvex used in the Seek-Wah following values:

R4: 2M7

C4: 15n

R7 ommited

P1 is replaced by a LDR