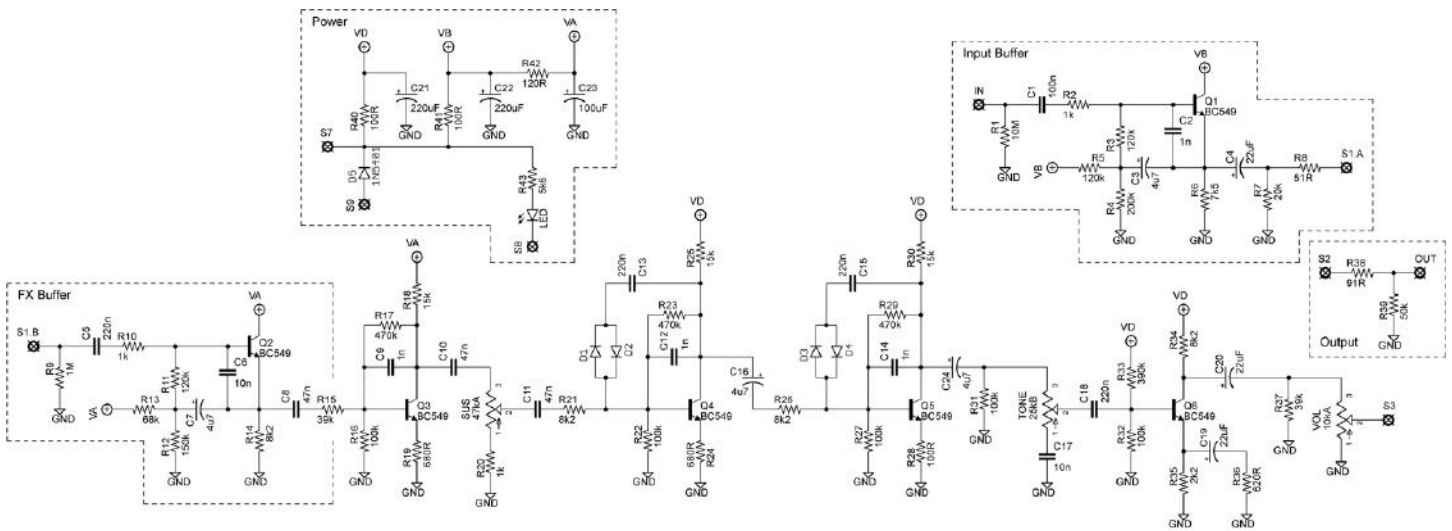
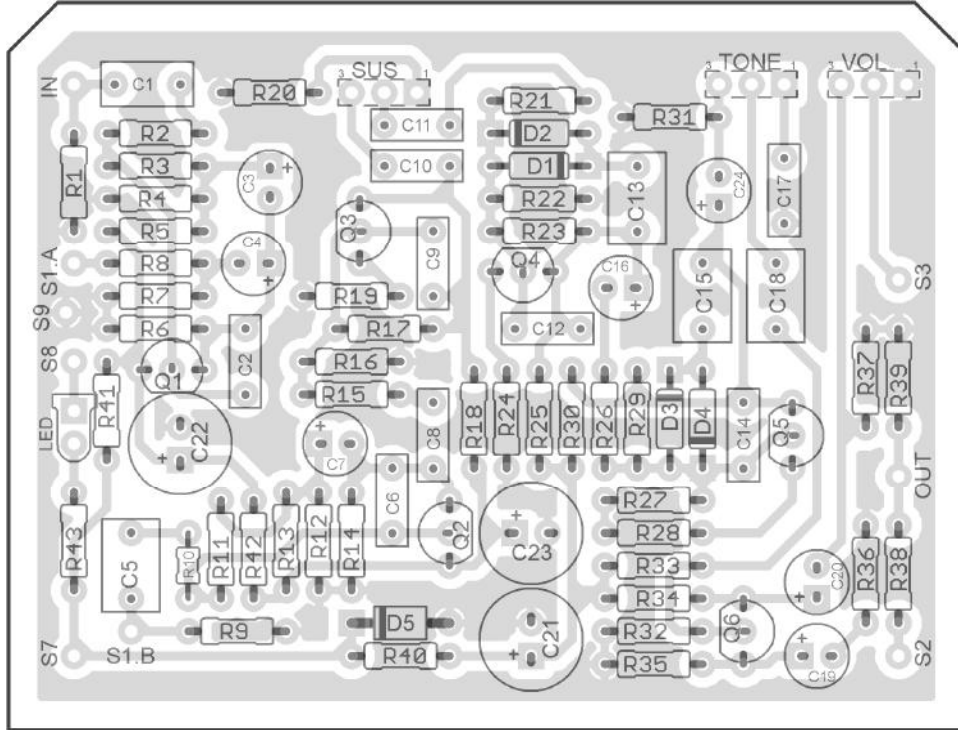
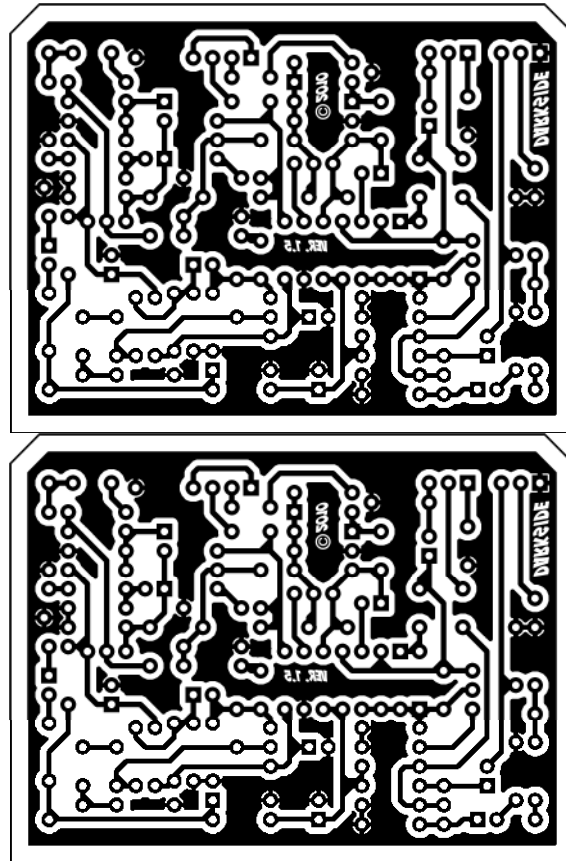


DARKSIDE

(based on the Pete Cornish G-2)
PCB artwork ©2010 madbeanpedals
Ver.1.5 04.07.10

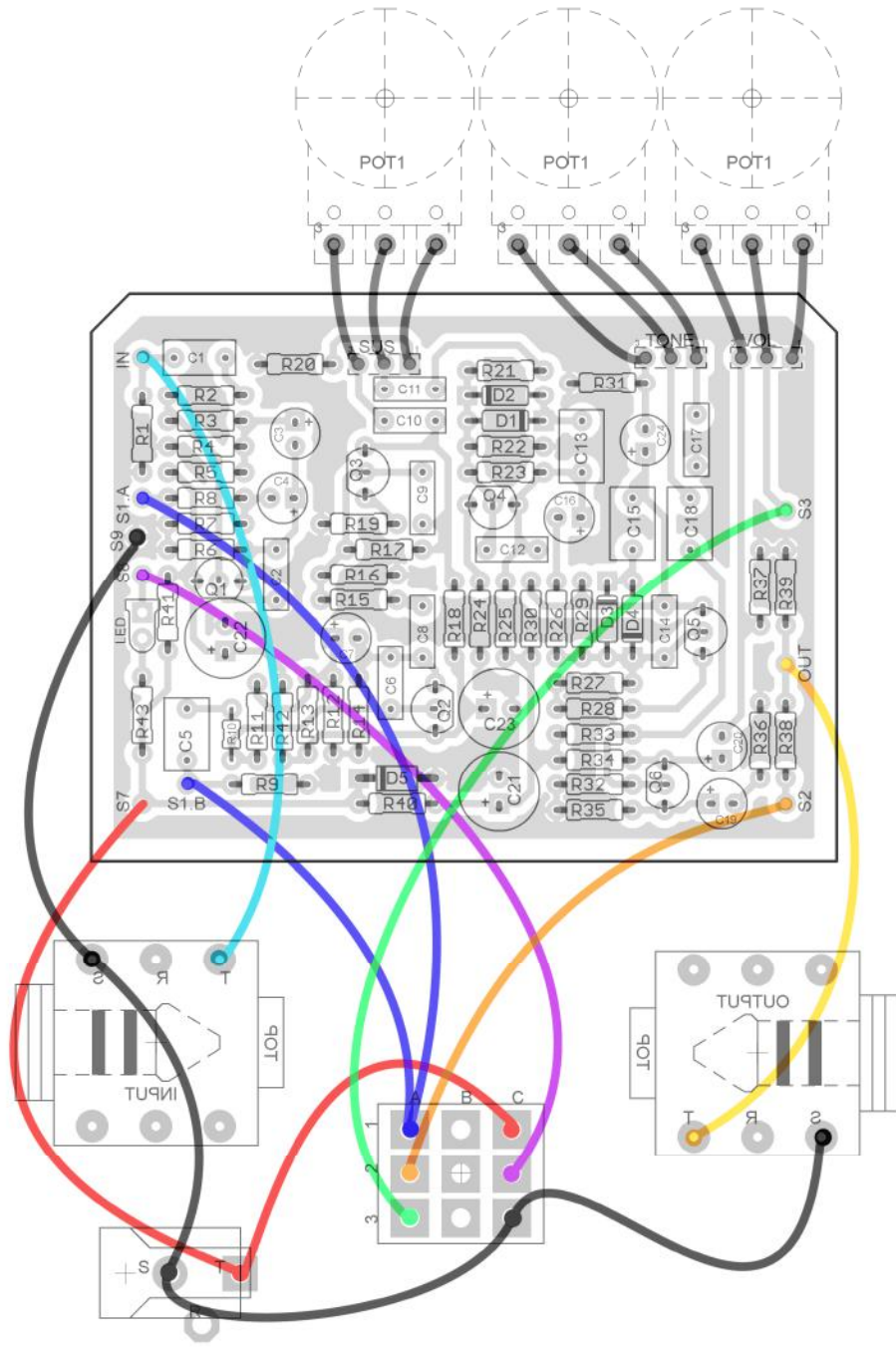


Resistors		Caps	
R1	10M	C1	100n
R2	1k	C2	1n
R3	120k	C3	4u7
R4	200k	C4	22uF
R5	120k	C5	220n
R6	7k5	C6	10n
R7	20k	C7	4u7
R8	51R	C8	47n
R9	1M	C9	1n
R10	1k	C10	47n
R11	120k	C11	47n
R12	150k	C12	1n
R13	68k	C13	220n
R14	8k2	C14	1n
R15	39k	C15	220n
R16	100k	C16	4u7
R17	470k	C17	10n
R18	15k	C18	220n
R19	680R	C19	22uF
R20	1k	C20	22uF
R21	8k2	C21	220uF
R22	100k	C22	220uF
R23	470k	C23	100uF
R24	680R	C24	4u7
R25	15k	Diodes	
R26	8k2	D1 - D4	GE
R27	100k	D5	1N5401
R28	100R	Transistors	
R29	470k	Q1 - Q6	BC549
R30	15k	Pots	
R31	100k	SUS	47kA
R32	100k	TONE	25kB
R33	390k	VOL	10kA
R34	8k2		
R35	2k2		
R36	620R		
R37	39k		
R38	91R		
R39	50k		
R40	100R		
R41	100R		
R42	120R		
R43	5k6		

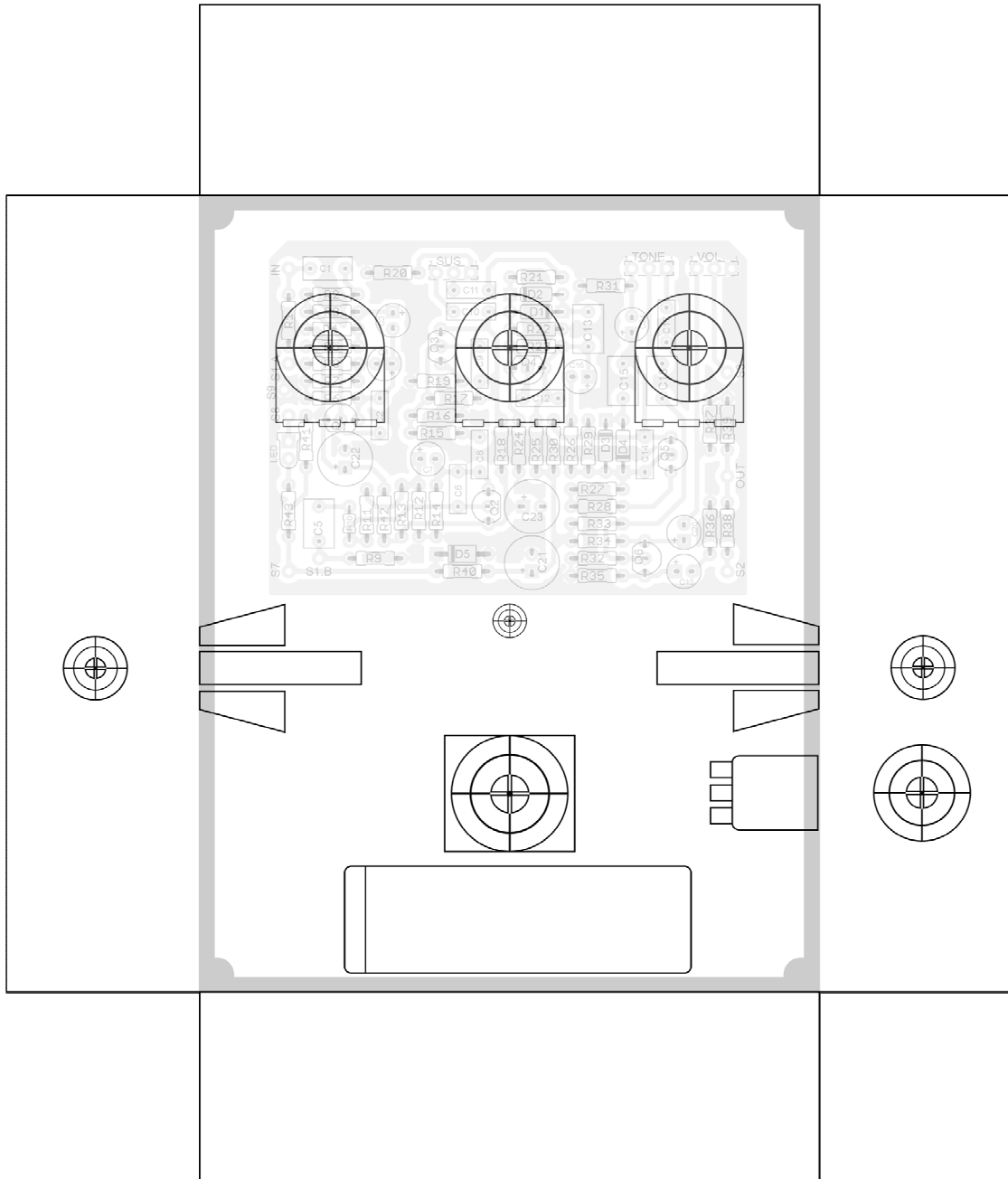


Notes

- This is a buffered effect, so the input jack connects directly to the **IN** pad on the board (see wiring diagram).
- You can use other transistors besides the BC549. Pay attention to pin-outs, though: a 2n5088 should be oriented 180 deg. from the package drawing on the layout.
- There are several germanium diodes you can try. Suggestions are 1n34a, 1n270, and 1n60. Each one will be slightly different in terms of where they break up as the Sustain pot is turned up where 1n34a breaks up earliest and 1n60 the latest. Some people have reported positive results with Schottky diodes, too.
- 47k pots are more difficult to get in the States. Use 50k.



1590BB/1790NS Enclosure



This drilling template is provided "as is". Use at your own risk!