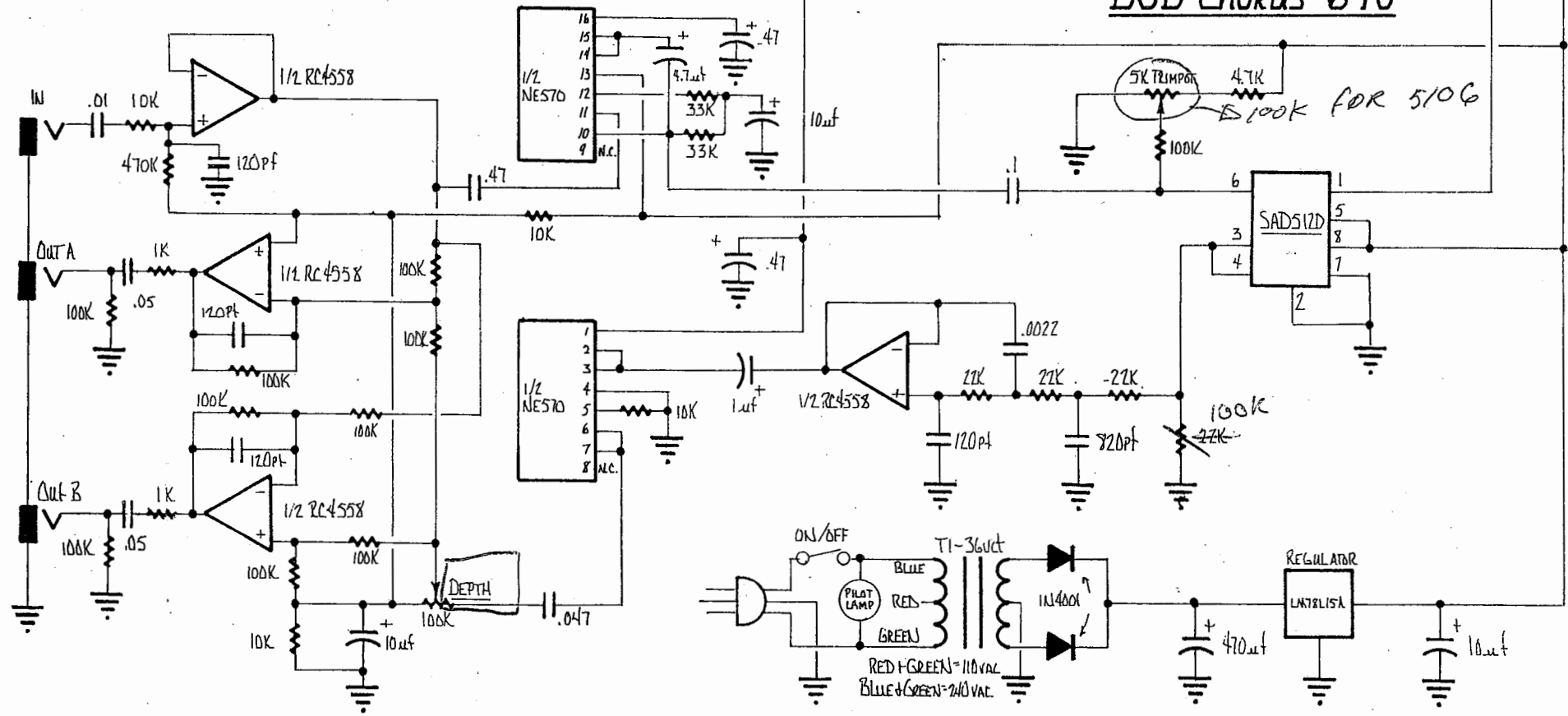
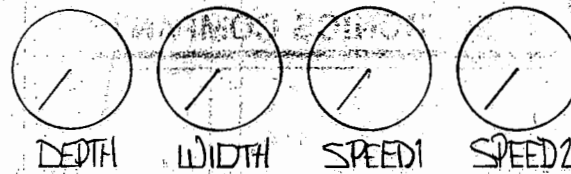


DOD Chorus 690



690



- STEP 1. SET CONTROLS AS ABOVE.
- STEP 2. A. SET GENERATOR/INSTRUMENT SWITCH ON CHECK-OUT ADAPTOR TO INST.
B. PLUG IN INPUT-OUTPUT CABLES TO UNIT. USE OUTPUT A.
C. APPLY AC.
- STEP 3. OBSERVE LED. IT SHOULD BE TURNING ON AND OFF. THIS INDICATES PROPER OPERATION OF THE OSCILLATOR.
ALSO, LISTEN FOR HUM AND NOISE.
- STEP 4. **TURN OFF UNIT**. INSERT 1 EA. SAD 512d AND 1 EA NE 571 INTO I.C. SOCKET. BE POSITIVE I.C. IS ORIENTED PROPERLY IN SOCKET.
- STEP 5. ATTACH SCOPE PROBE TO TEST POINT ON PC. BOARD. (JUNCTION OF 33K AND PINS 3+4 OF SAD 512d).
- STEP 6. SET GENERATOR/INSTRUMENT SWITCH ON CHECK-OUT ADAPTOR TO GEN. FREQ CONTROL ON ADAPTOR SHOULD BE APPROX. 700 HZ
- STEP 7. SET SCOPE AS FOLLOWS: VOLT/CM - 1 SWEEP TIME/CM - 200 μ S
- STEP 8. RE-APPLY A.C. POWER TO UNIT.
- STEP 9. ADJUST 5K TRIMPOT. AT THE SAME TIME, APPLY AMPLITUDE FROM CHECK-OUT ADAPTOR. ADJUST TRIMPOT SO THAT THE WAVEFORM ON THE SCOPE IS AT MAXIMUM AMPLITUDE WITHOUT CLIPPING.

AUDIO TEST.

- STEP 1. ROTATE DEPTH CONTROL TO FULL CLOCKWISE AS YOU STRIKE GUITAR STRINGS. AS YOU DO THIS, SOUND SHOULD THICKEN.
- STEP 2. ROTATE WIDTH CONTROL TO FULL CLOCKWISE AS YOU STRIKE GUITAR STRINGS. YOU SHOULD HEAR A SOUND VERY MUCH LIKE MORE THAN ONE GUITAR PLAYING THE SAME THING AT SAME TIME.
- STEP 3. ROTATE SPEED1 FULL CLOCKWISE. SPEED WILL INCREASE. PRESS SPEED FOOTSWITCH. SPEED SHOULD SLOW DOWN GRADUALLY. PLUG OUTPUT CABLE INTO OUTPUT B.
- STEP 4. TURN SPEED 1 FULL COUNTERCLOCKWISE. TURN SPEED 2 FULL CLOCKWISE WHILE STRIKING STRINGS. SPEED WILL INCREASE. PRESS SPEED FOOTSWITCH. SPEED SHOULD SLOW DOWN GRADUALLY.