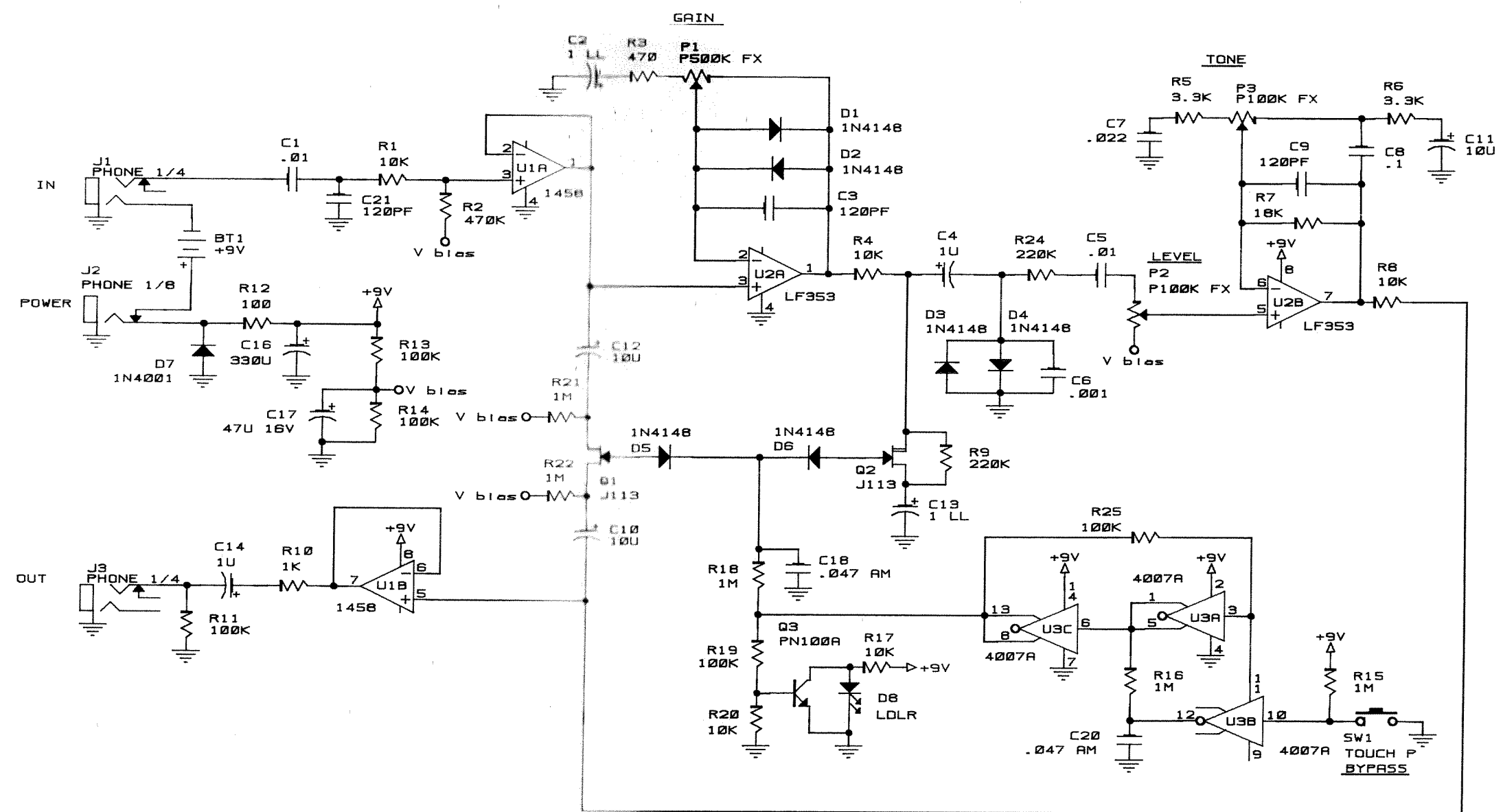


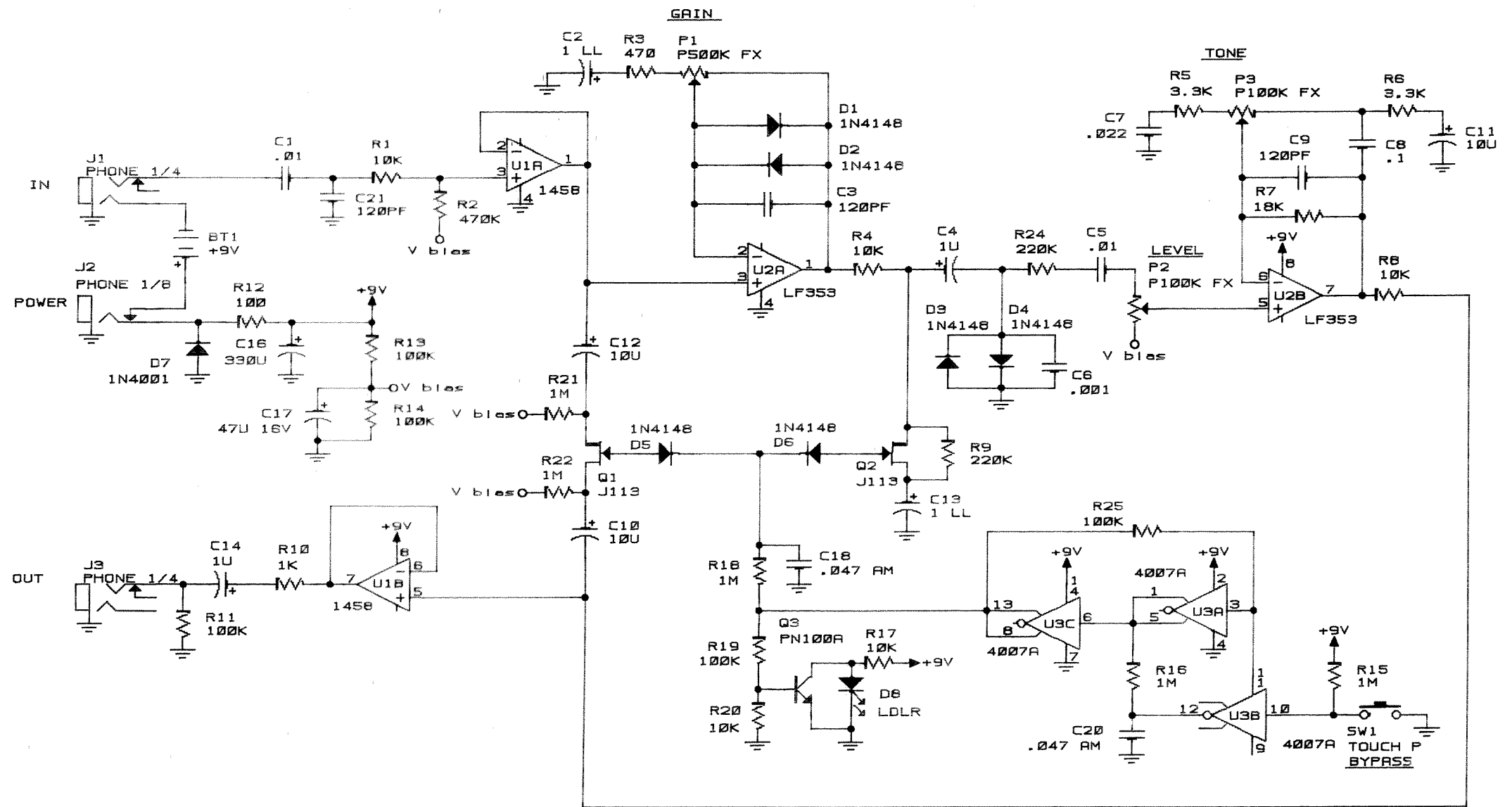
LAST REF.  
R25  
C18  
D8  
P3  
Q3

DOD Electronics, Inc. 5639 So. Riley Lane Salt Lake City, Utah 84107	
Title FX50B OVERDRIVE PLUS	
Size B	Document Number F50B-0H0.SCH
Date February 26, 1989	Sheet 1 of 1
REV H0	



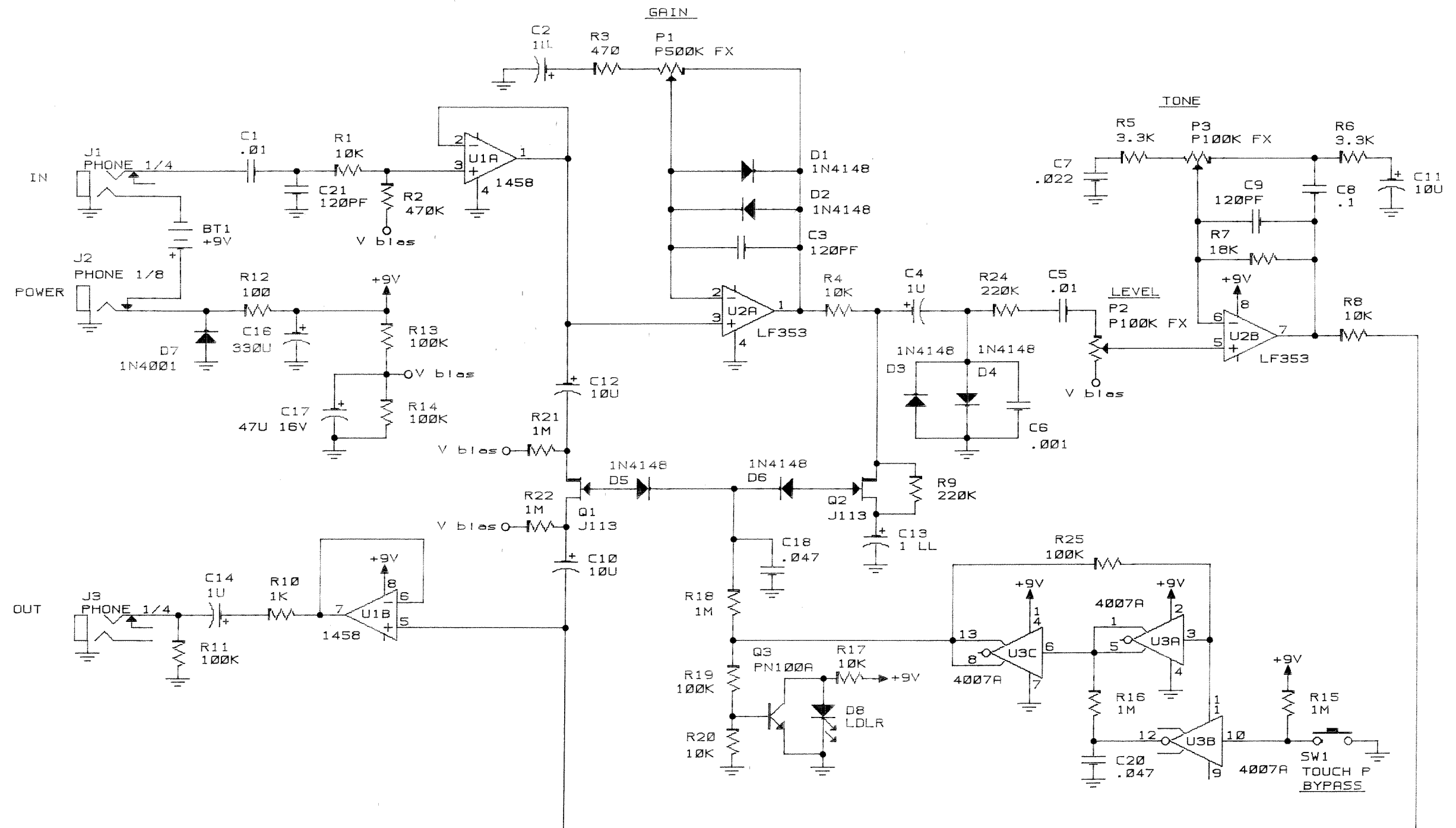
LAST REF.  
R25  
C18  
D8  
P3  
Q3

DOD Electronics, Inc. 5639 So. Riley Lane Salt Lake City, Utah 84107		
Title FX50B		
Size	Document Number	REV
B	F50B-0H0.SCH	H
Date:	February 21, 1989	Sheet 1 of 1



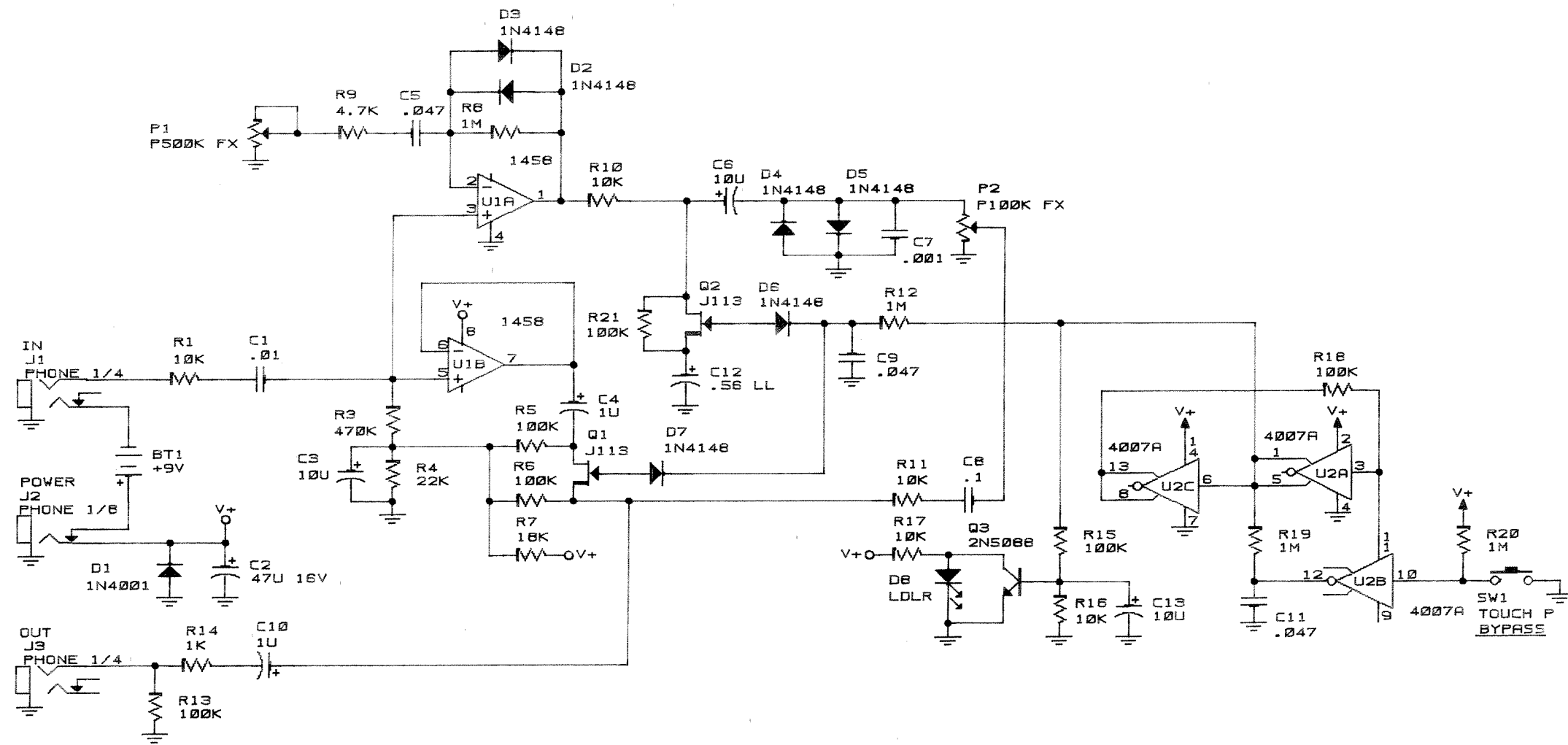
LAST REF.  
R25  
C18  
D8  
P3  
Q3

DOD Electronics, Inc. 5639 So. Riley Lane Salt Lake City, Utah 84107		
Title FX50B		
Size B	Document Number FX50BG.SCH	REV G
Date: August 11, 1988	Sheet 1 of	1



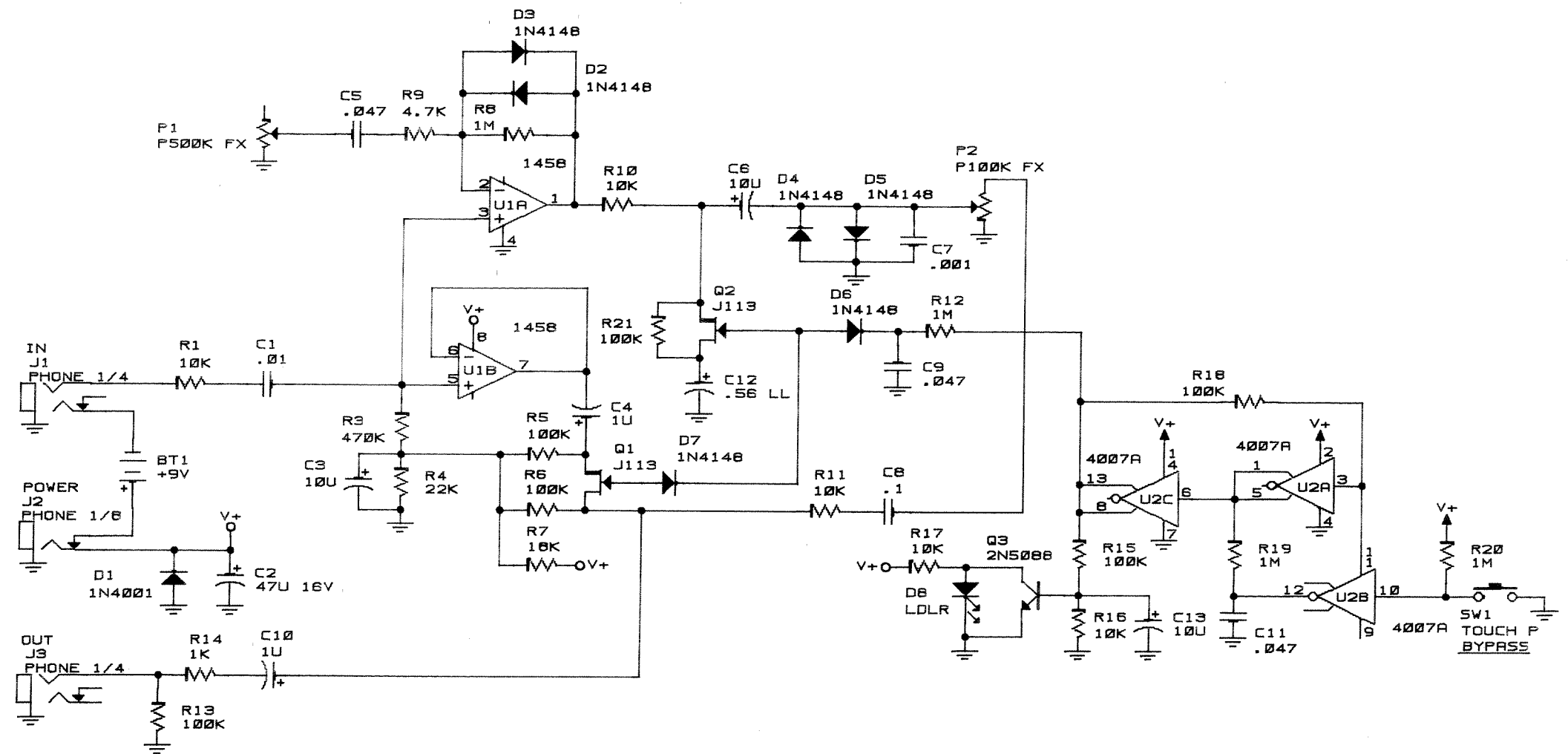
LAST REF.  
R25  
C18  
D8  
P3  
Q3

DOD Electronics, Inc. 5639 So. Riley Lane Salt Lake City, Utah 84107		
Title FX50B		
Size	Document Number FX50BG.SCH	REV G
Date:	May 23, 1988	Sheet 1 of 1



LAST REF.  
 D13  
 D8  
 J3  
 P2  
 Q3  
 R21  
 SW1  
 U2

DOD Electronics, Inc. 5639 So. Riley Lane Salt Lake City, Utah 84107		
Title FX50 OLD		
Size	Document Number	REV
B	FX50OLD.SCH	P0
Date:	October 11, 1988	Sheet 1 of 1



LAST REF.  
 D13  
 D8  
 J3  
 P2  
 Q3  
 R21  
 SW1  
 U2

DOD Electronics, Inc. 5639 So. Riley Lane Salt Lake City, Utah 84107	
Title FX50 OLD	
Size Document Number B	REV P0
Date: September 19, 1988 Sheet 1 of 1	