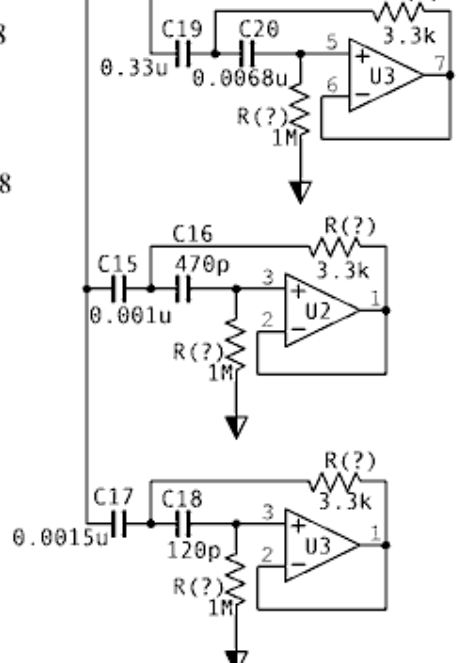
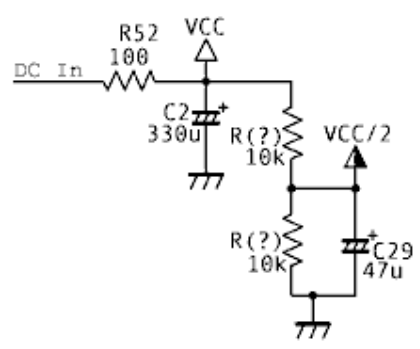


- D3,4,5,8,9 = 1N4148
- D6,7 = Ge.
- Q1,4,5,8 = J113
- Q2,3,6,(9) = 2N5088
- Q7 = 2N3906
- U1-3 = LM1458N



DOD
FX58

METAL
MANIAC