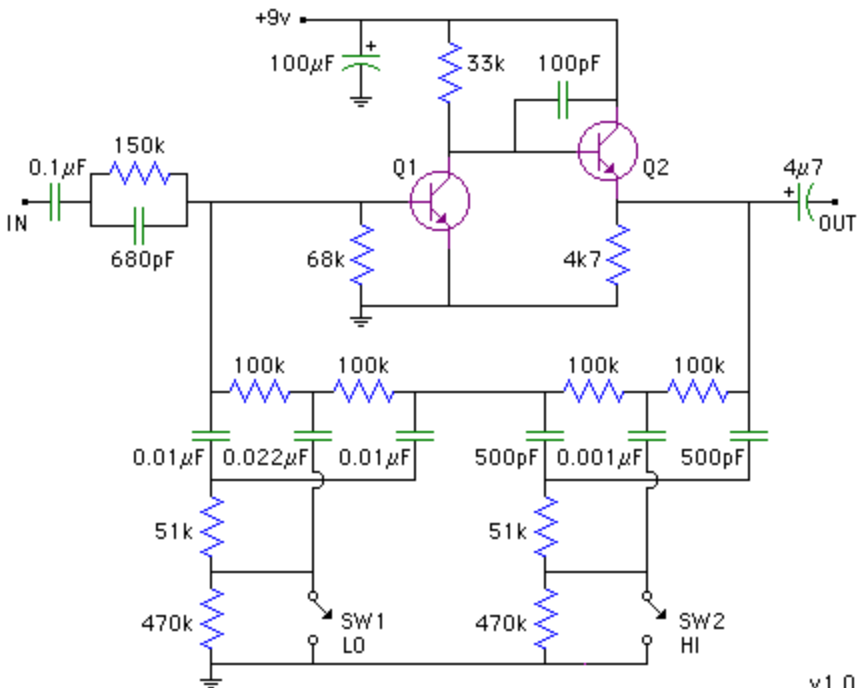


PURPLE PEAKER



Q1, Q2: 2N5088
SW1, SW2: SPST

v1.0
based on a schematic by Aron Nelson
©2003, runoffgroove.com