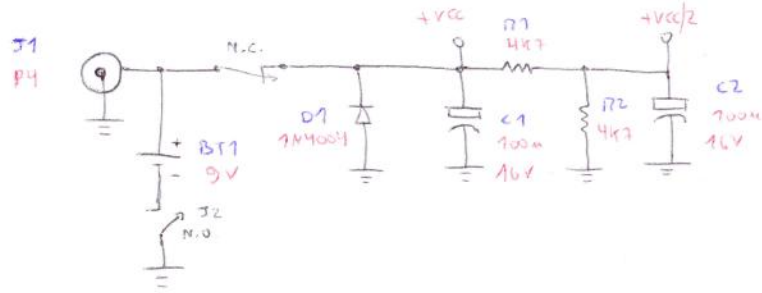


DANELECTRO INPUT/OUTPUT BOARD

PCB-DJ-F-01R?? (0012D)

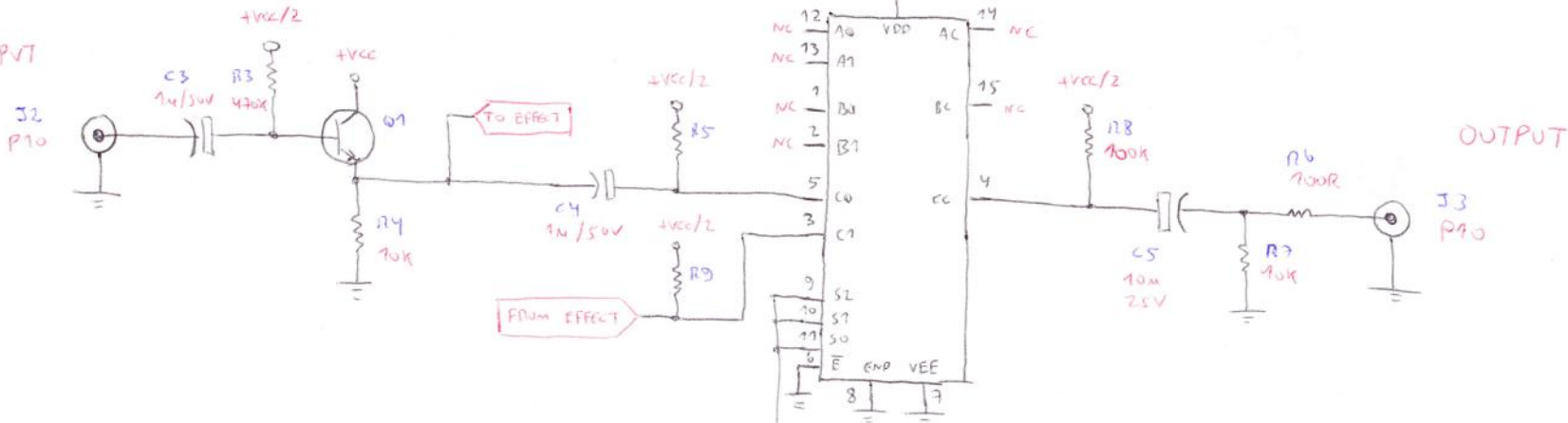
POWER SUPPLY



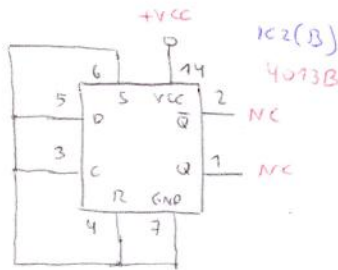
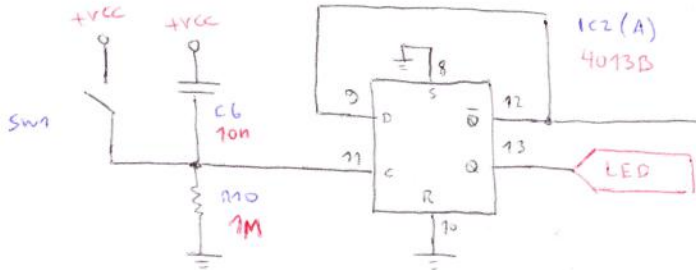
HD1 (CONNECTOR)

- BLUE +VCC
- GREEN +VCC/2
- YELLOW TO EFFECT
- ORANGE GND
- RED FROM EFFECT
- BROWN LED

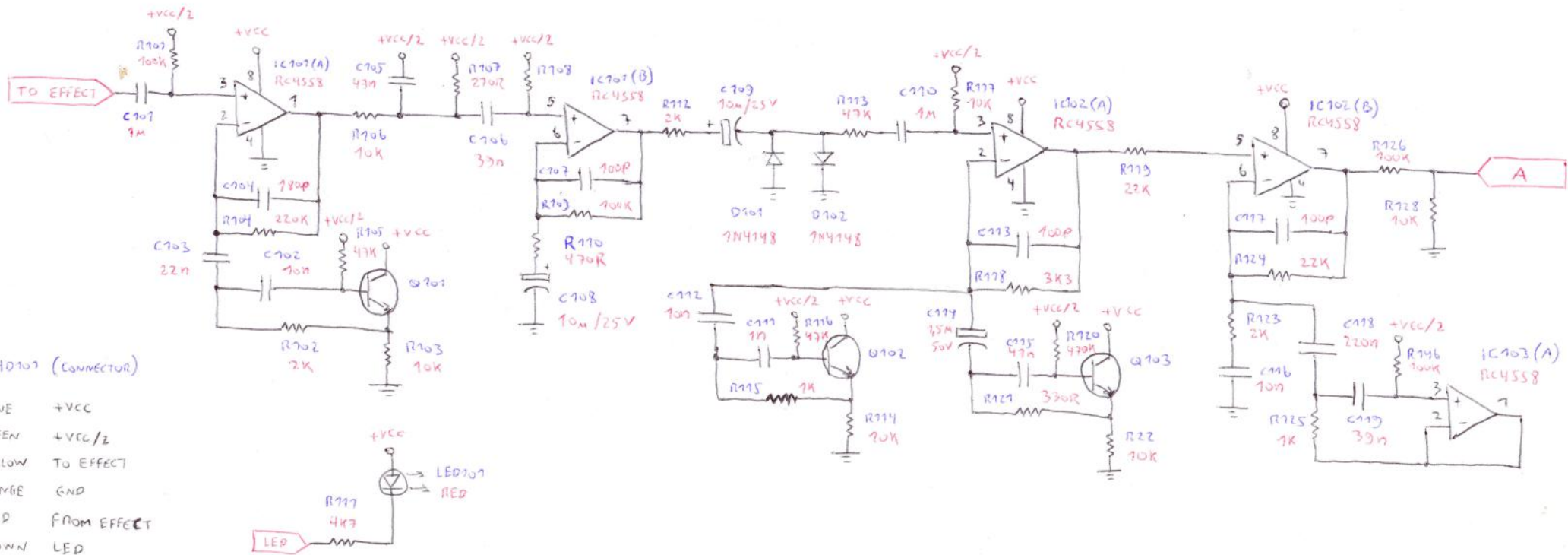
INPUT



OUTPUT



# DANELECTRO DJ-10 "GRILLED CHEESE" PCB DJ-10-01R2 (0015B)



- HD107 (CONNECTOR)
- BLUE +VCC
- GREEN +VCC/2
- YELLOW TO EFFECT
- ORANGE GND
- RED FROM EFFECT
- BROWN LED

