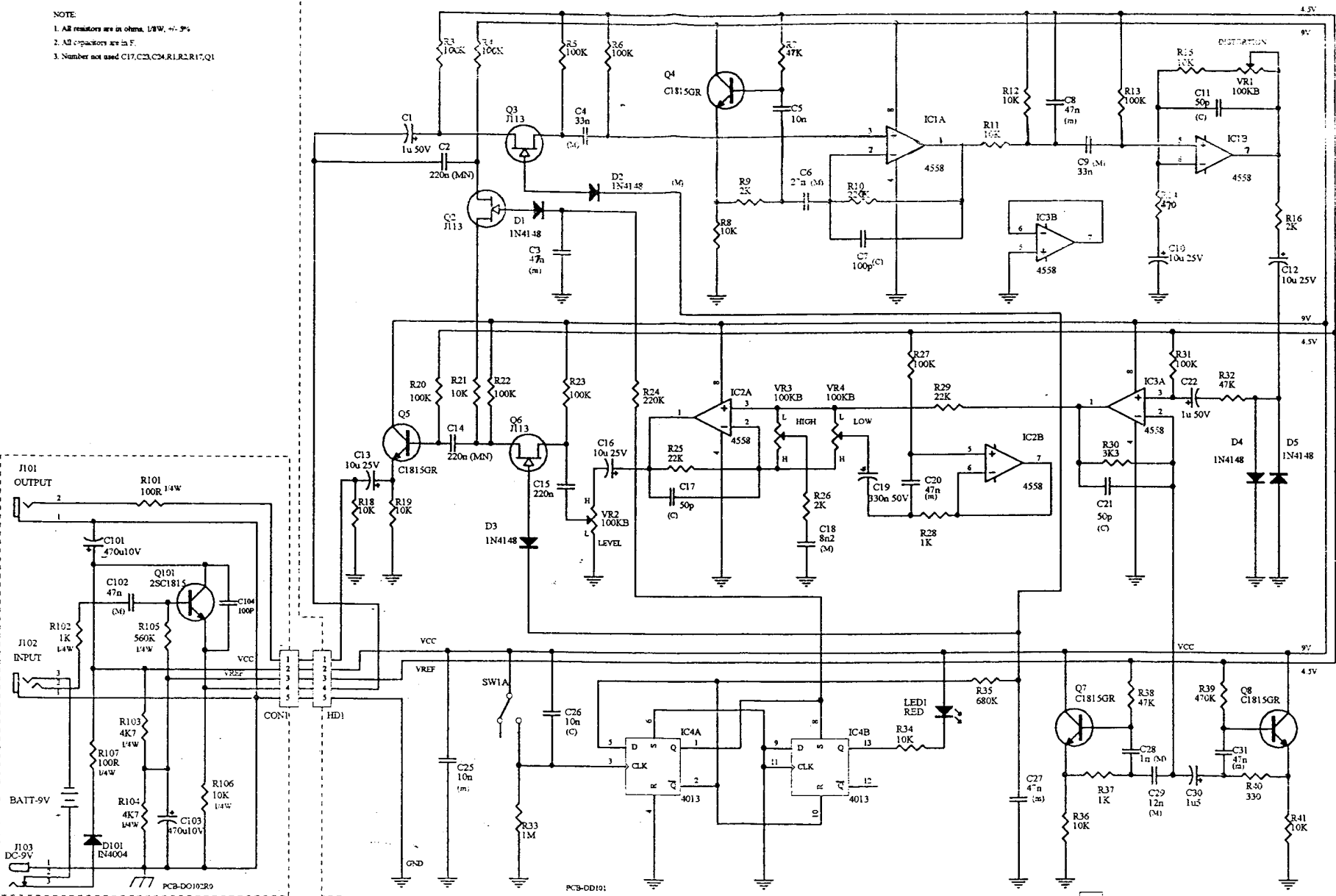


*One electro
"Daddy's"
Fab Tone*

- NOTE:
 1. All resistors are in ohms, 100K, 1M, etc.
 2. All capacitors are in pF.
 3. Number not used: C17, C23, C24, R1, R2, R17, Q1



DD-1 version E 3/3/97.

Size	A3	Number	DD-1 Distortion	Revision	0.7
Date:	3-Jul-1997		Sheet of	1 OF 1	
File:	D:\SCHFILE\1DDFILE\DD-101E.SCH		Drawn By:	C.Y. WONG	