

June 6, 1961

H. DE ARMOND ET AL

2,986,953

FOOT PEDAL

Filed Sept. 29, 1958

2 Sheets-Sheet 2

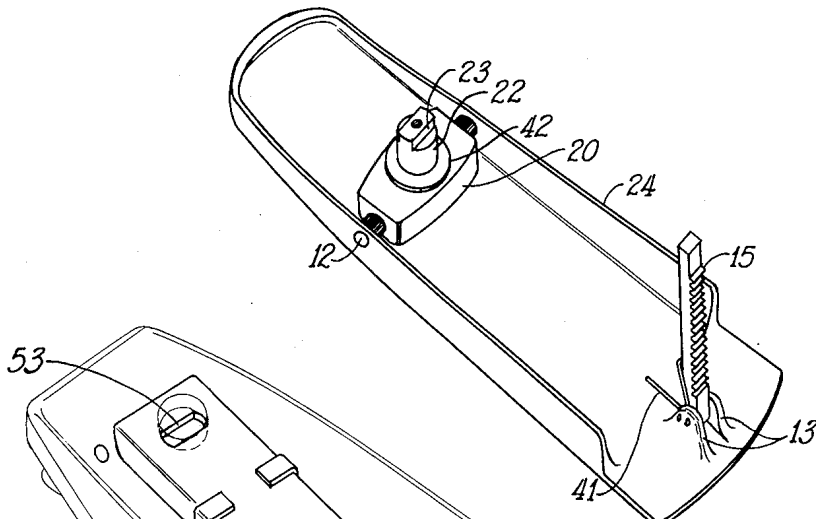


Fig. 4

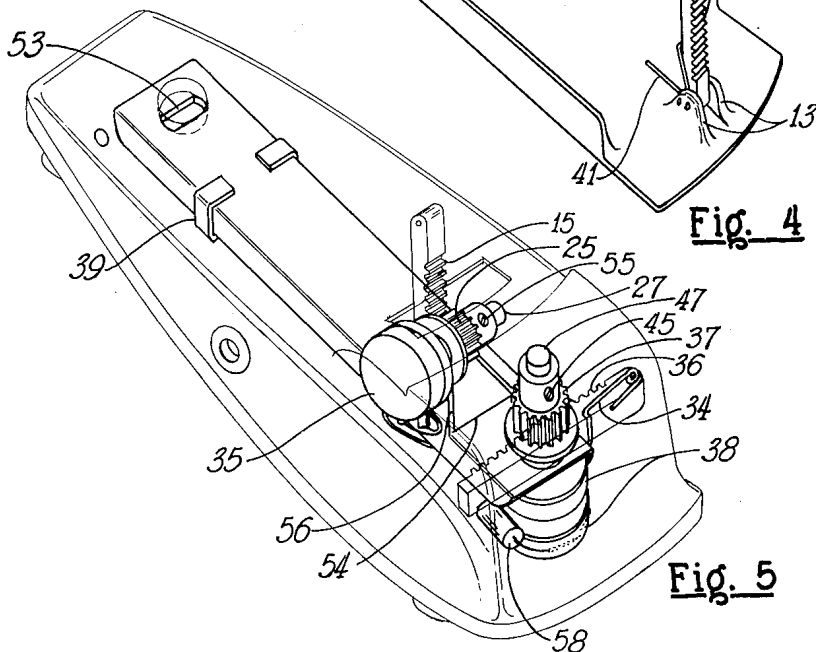


Fig. 5

- 35: B1M Ω
- 38: F250k Ω R500k Ω Dual Gang
- 48: .002 μ F
- 58: .047 μ F

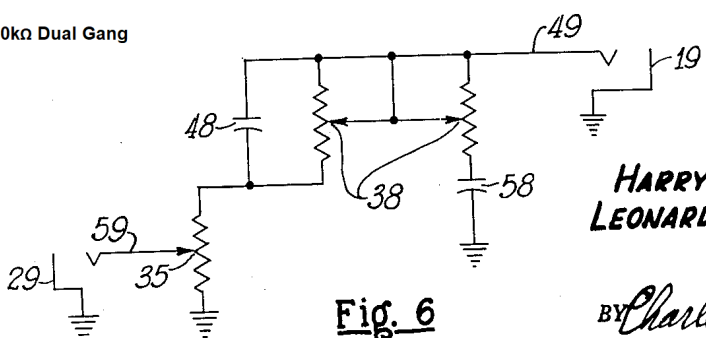


Fig. 6

HARRY DEARMOND &
LEONARD N. MEEKER
INVENTORS

BY *Charles F. Schroeder*

ATTORNEY