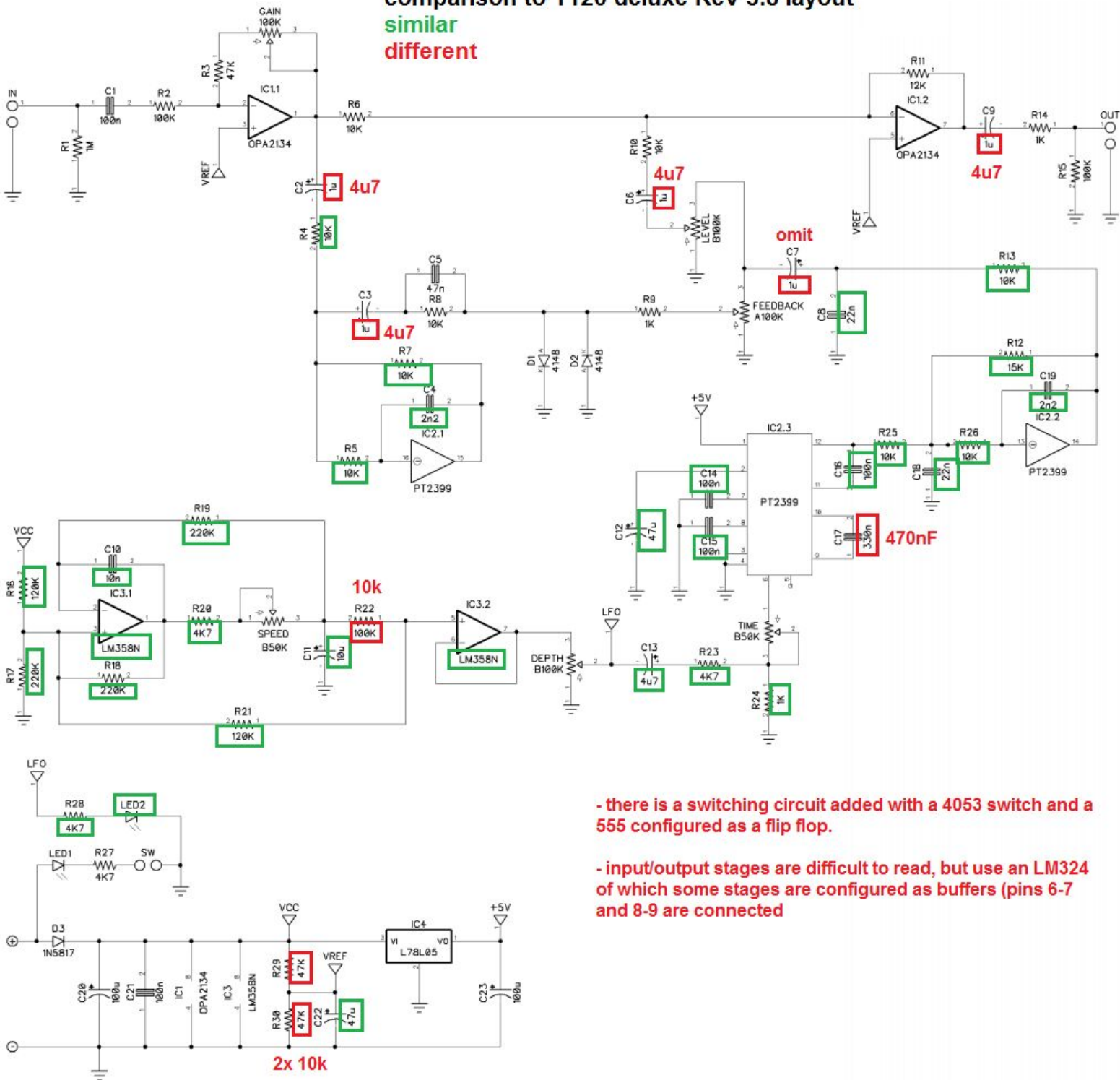




Magnetron Delay

comparison to T120 deluxe Rev 3.8 layout

similar
different



- there is a switching circuit added with a 4053 switch and a 555 configured as a flip flop.

- input/output stages are difficult to read, but use an LM324 of which some stages are configured as buffers (pins 6-7 and 8-9 are connected)