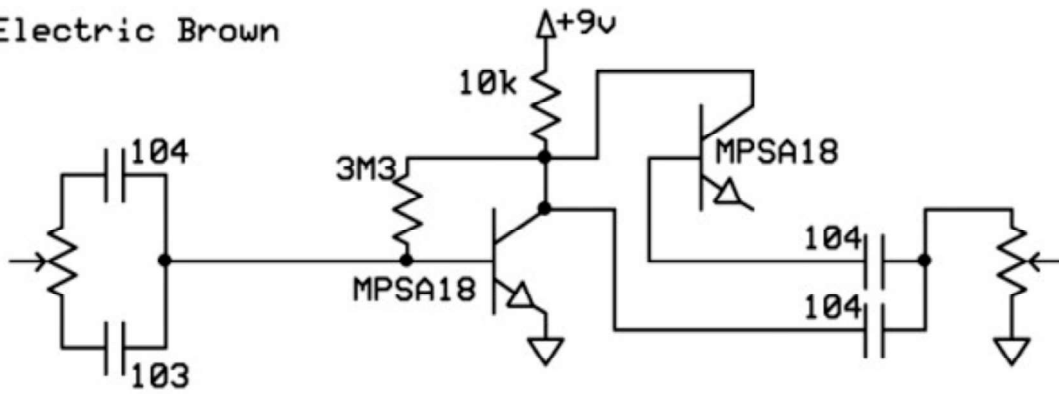
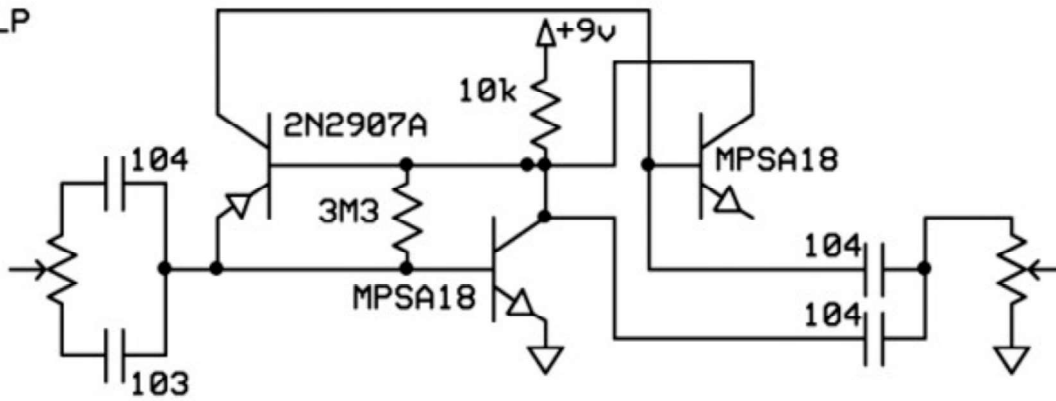


UPL DIY PCB Kit

### Electric Brown



LP



OK

