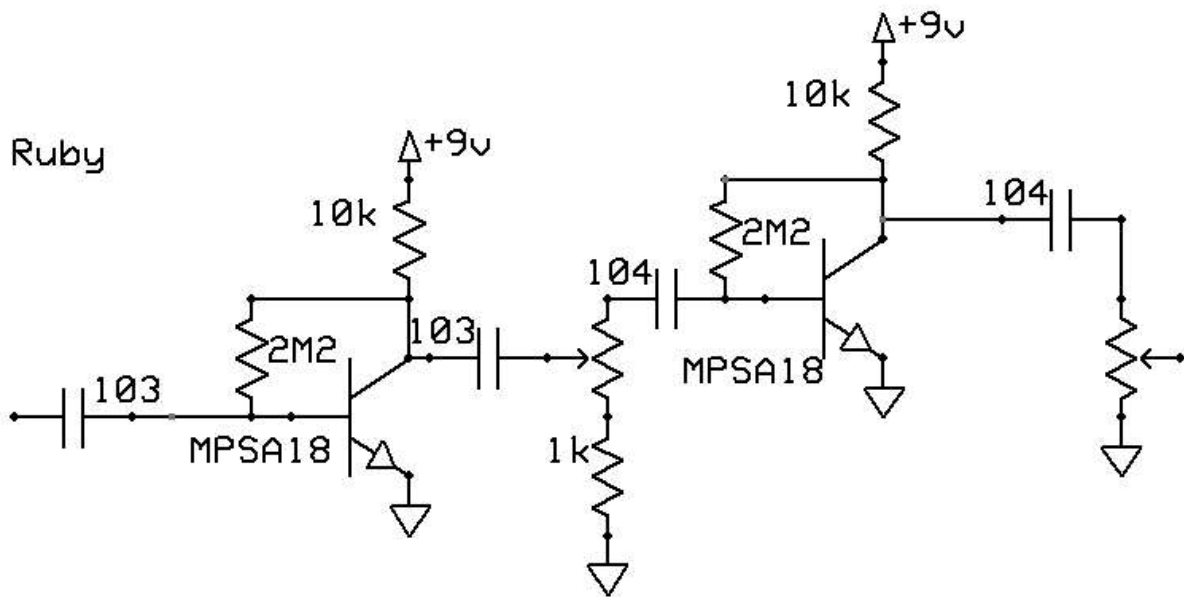


Ruby, 90 and Hounds Tooth instructions



For the Ruby, it's the same **pot post-circuit**, with the **05** there (First position), and then the second circuit in the normal position is an **05**, but using **104 capacitors** instead.. . If you want a darker version of the Ruby, have the second PCB be a Dark Boost.

if you have the kits, the **90** is Punch Love (05) > Dark Boost BUT BUT BUT you put **2N2907a** transistors into the empty transistor spots on **each** board. Also the Punch Love (05) is wired with the **pot post-circuit** rather than just banging the 05 directly into the dark boost. If that doesn't make any sense, someone here might be able to help you.

Hounds Tooth is the same configuration, except the 2N2907a only goes in the **05**. Looks like Silver Crank!!

HT/90: Or the other way around? Or in the #2 board (DB)?