

**Q = MPSA18**

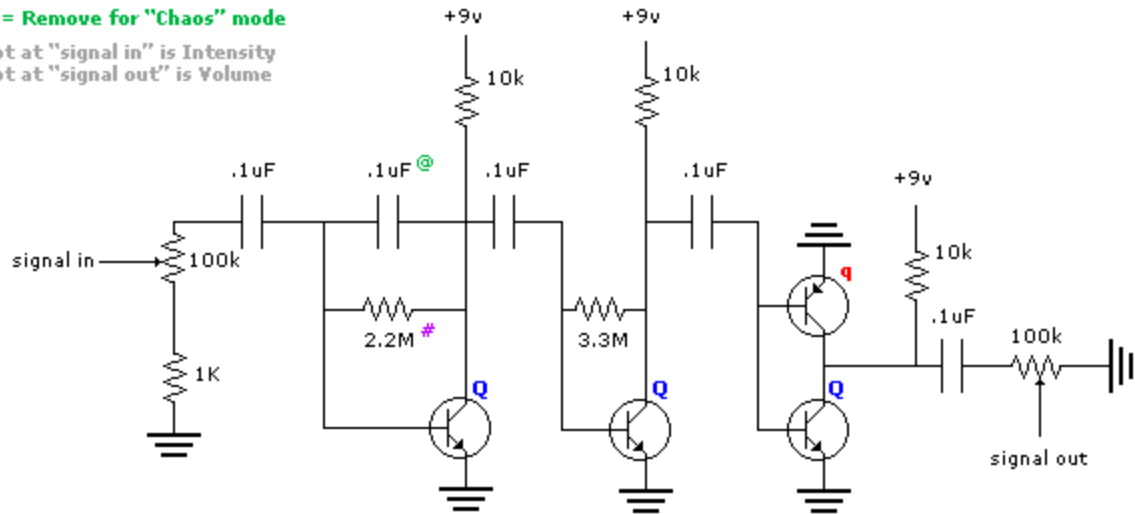
**q = 2N907A**

**# = Remove for "Noise" mode**

**@ = Remove for "Chaos" mode**

Pot at "signal in" is Intensity

Pot at "signal out" is Volume



NOTES : Flip **q** around (base stays the same, collector and emitter switch), for Vintage Fuzz Master.

**Soda Meiser / Vintage Fuzz Master**

[www.deviever.com](http://www.deviever.com)

spread the love