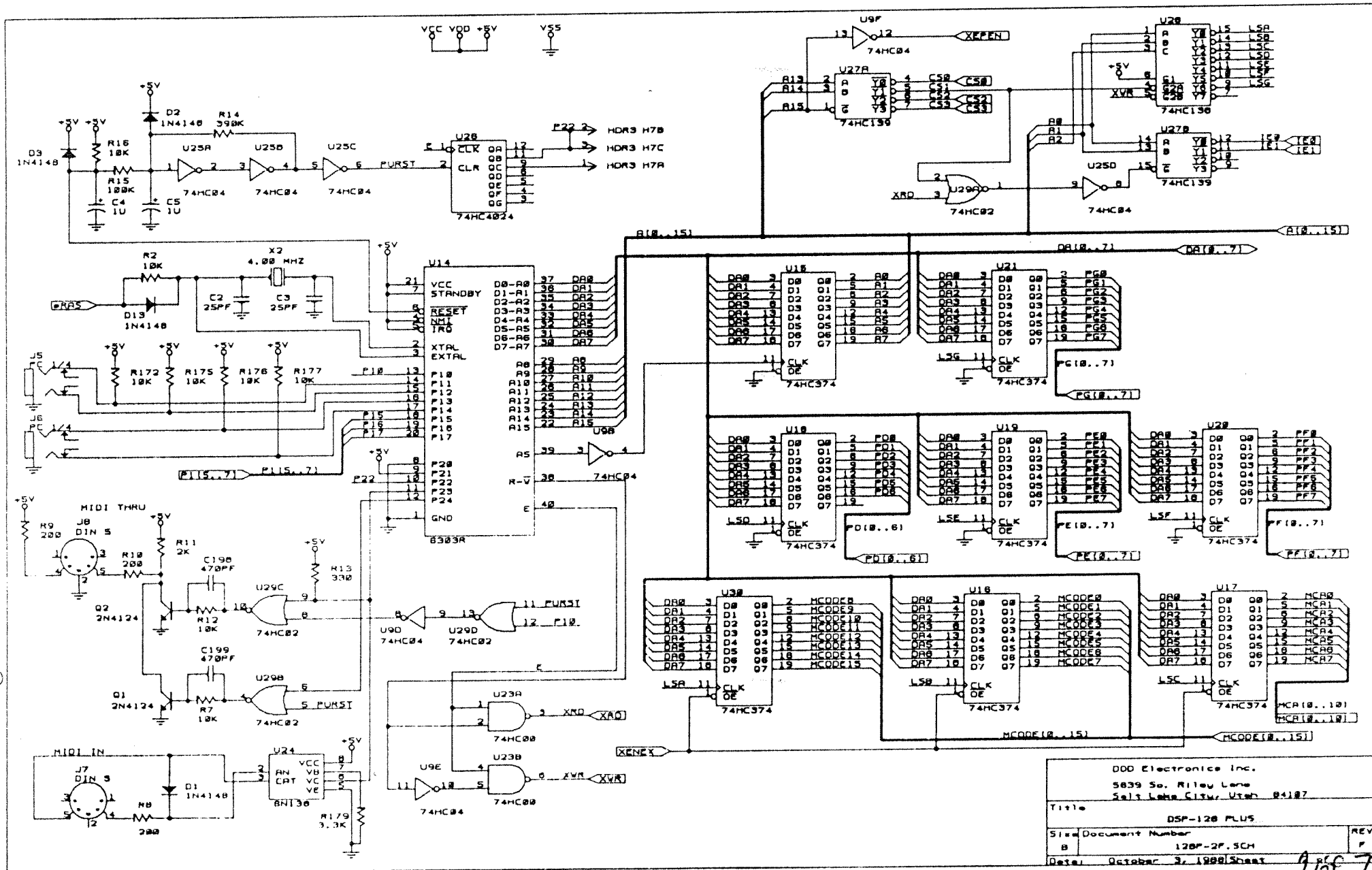
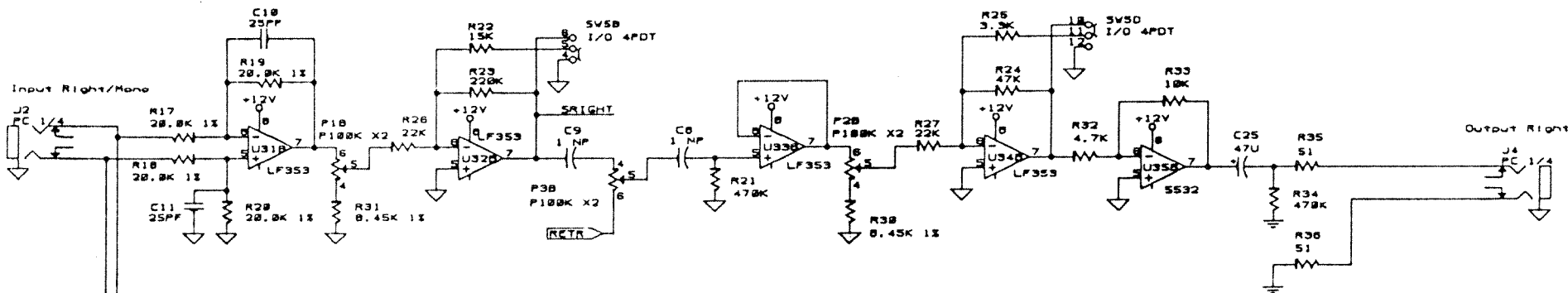


DDD Electronics Inc.
 5639 So. Riley Lane
 Salt Lake City, Utah 84107
 Title: DSP-128 PLUS
 Size: Document Number: 128PM-14.50H
 Date: October 30, 1986



DDD Electronics Inc.
 5839 So. Riley Lane
 Salt Lake City, Utah 84127
 Title: DSP-128 PLUS
 Size: Document Number: 128P-2P.SCH
 Date: October 2, 1998 Sheet 2 of 7

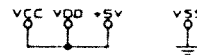
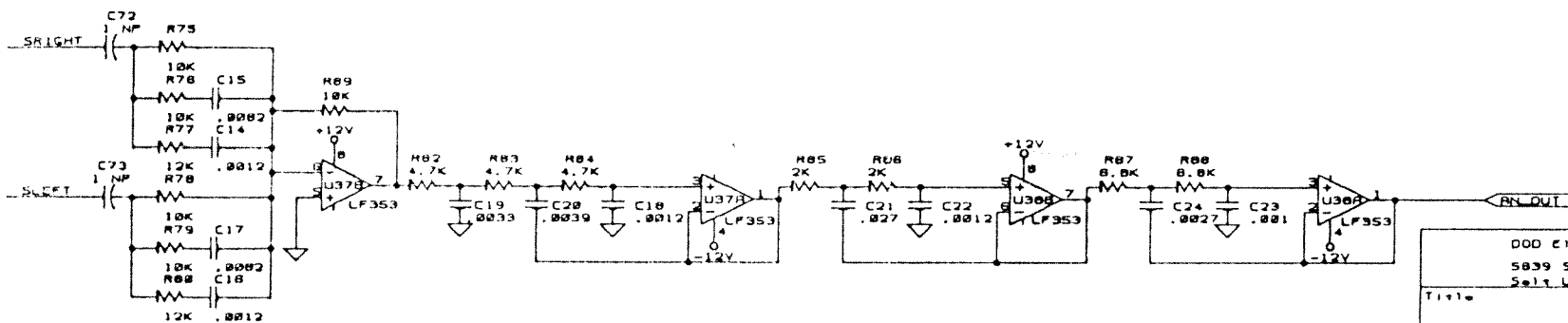
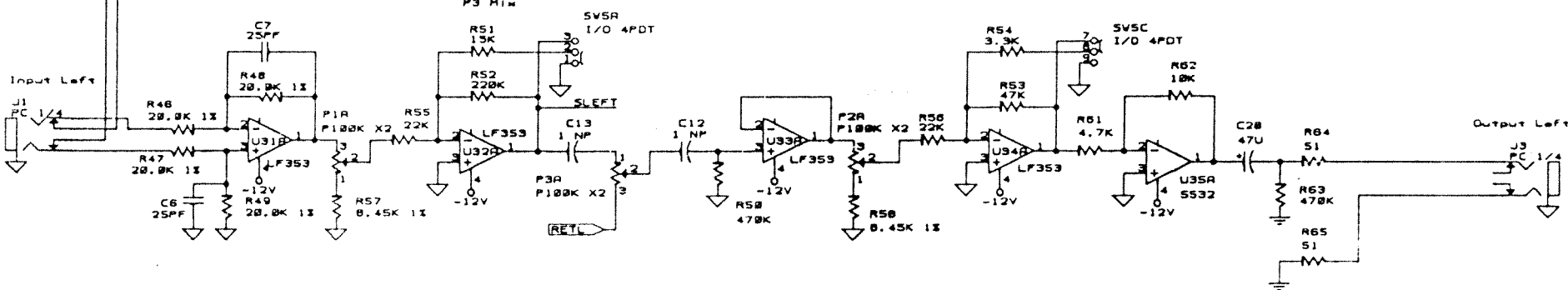


P1 Input level

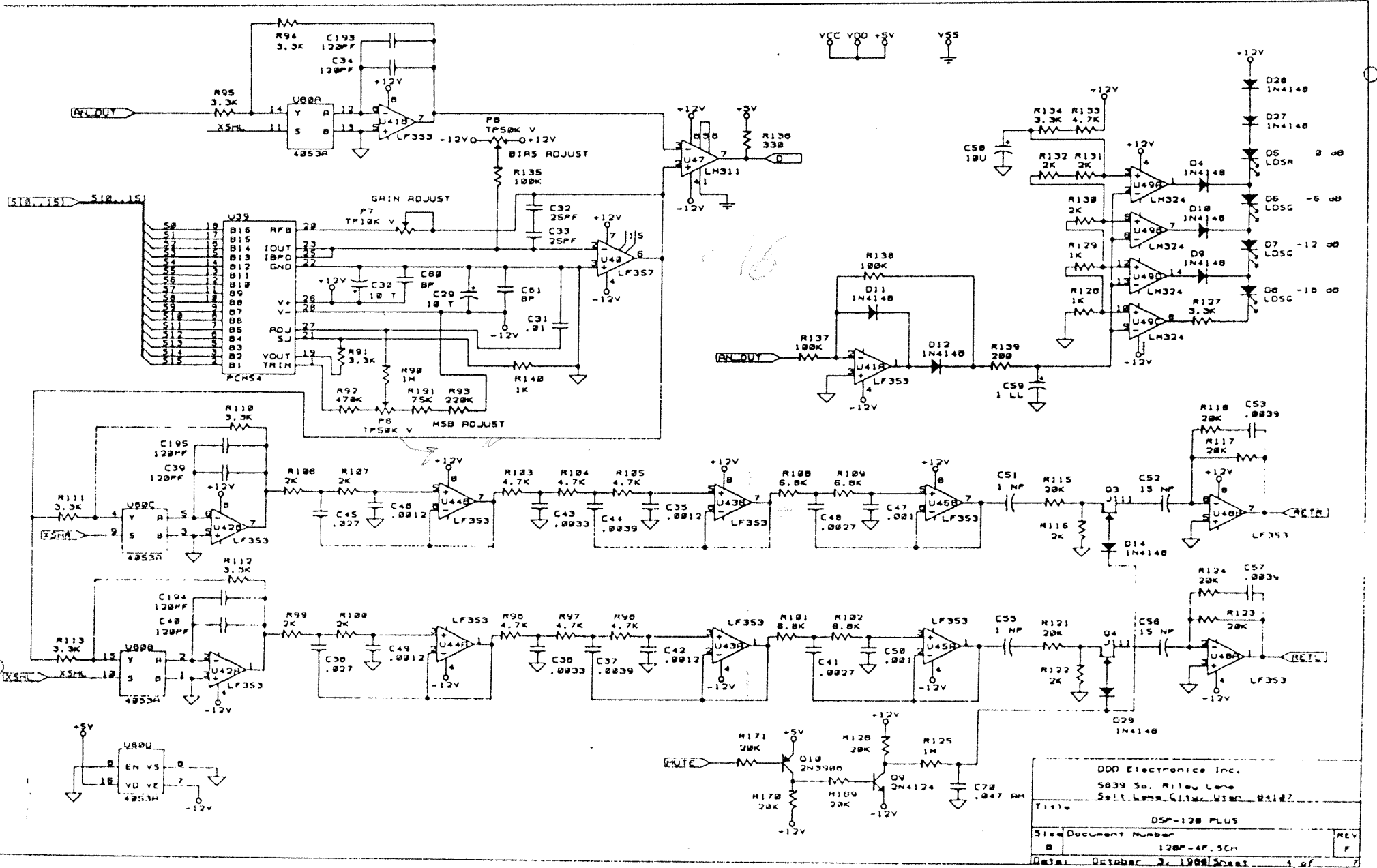
SV5 Input +/-10dB
P3 Min

P2 Output level

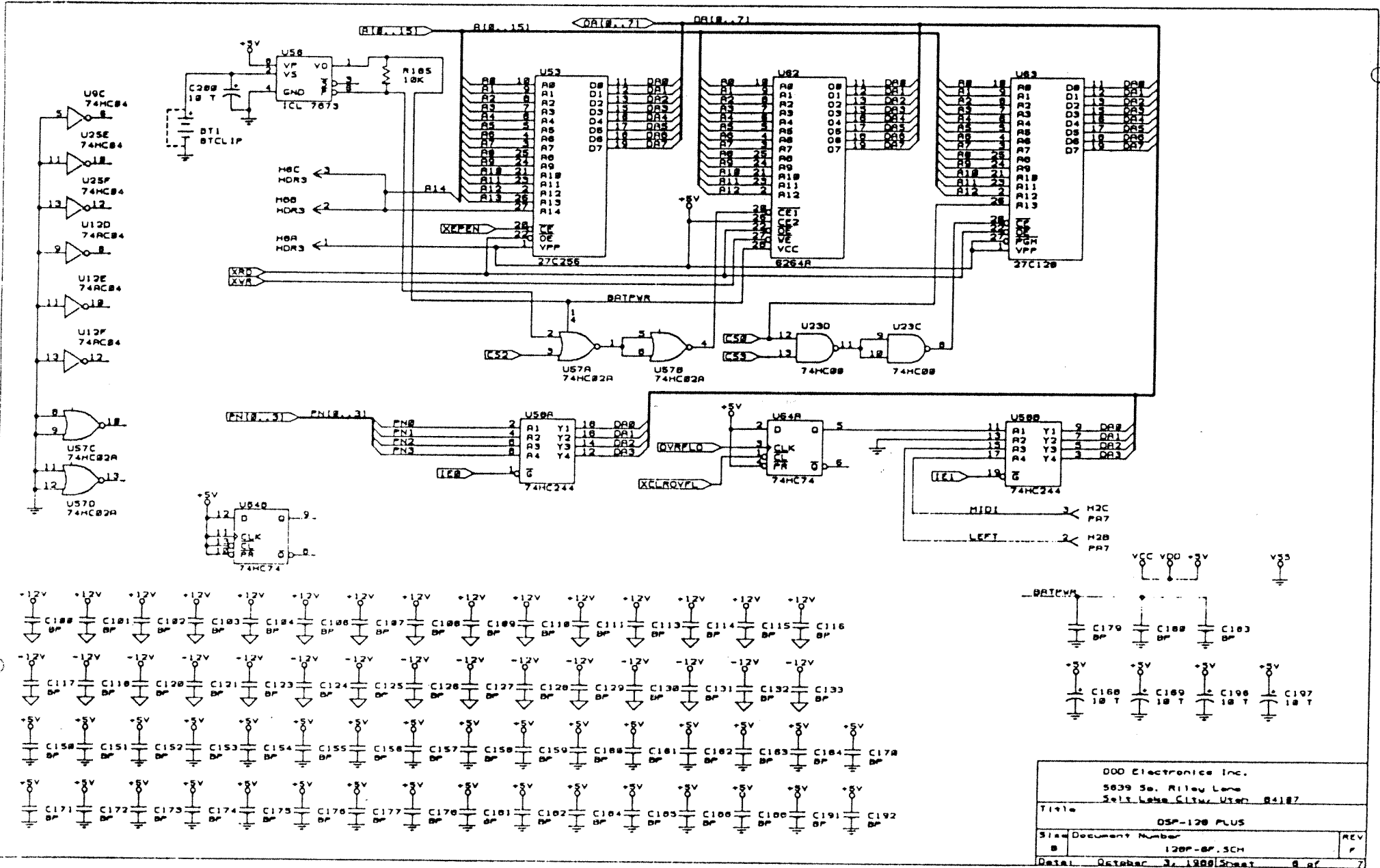
SV8 Output +/-10dB



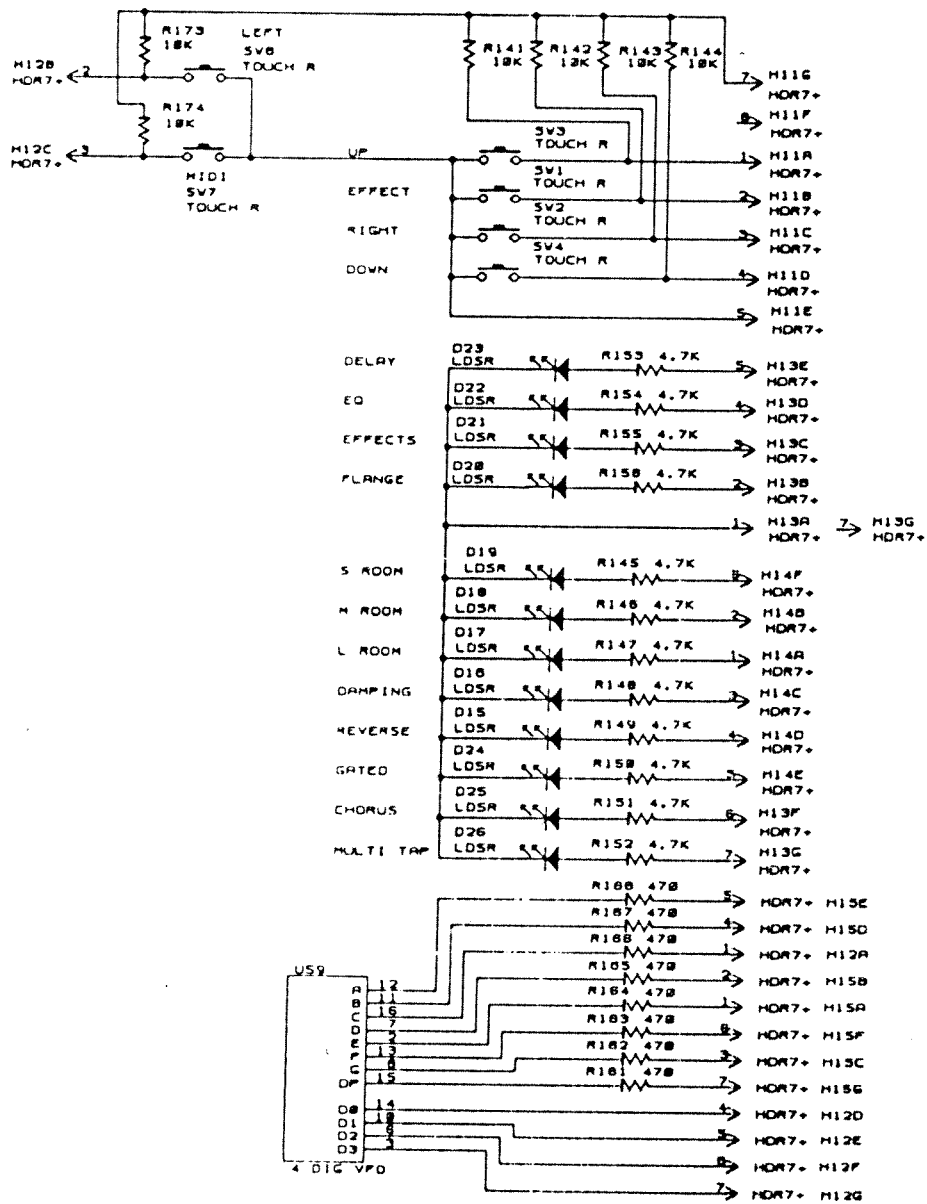
DOD Electronics Inc. 5839 So. Riley Lane Salt Lake City, Utah 84107		
Title DSP-128 PLUS		
Size	Document Number	REV
B	120P-3P.SCH	F
Date	October 3, 1988	Sheet



DDD Electronics Inc. 5839 So. Riley Lane Salt Lake City, Utah 84127		
Title	DSP-128 PLUS	
Sheet/Document Number	128P-4P.5CM	REV P
Date	October 2, 1988	Sheet 1 of 7

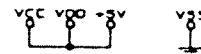


000 Electronics Inc.		
5839 So. Riley Lane		
Salt Lake City, Utah 84117		
Title DSP-120 PLUS		
Schematic Number		
B	1200-BP.SCH	REV
Date:	October 31, 1988	Sheet 8 of 9



NOT USED
 C26-27
 C54
 C71
 C74-99
 C112
 C119
 C134-149
 C185-187
 C187
 C109-190
 F4-5
 R4-6
 R28-29
 R37-45
 R59-88
 R88-74
 R114
 R110-120
 R170
 R180-184
 R180-189
 U22
 U38
 U48
 US4-55
 U81

LAST REF.
 C100
 D29
 H9
 J8
 P8
 Q8
 R191
 SV7
 U84



DDD Electronic Inc. 5839 So. Riley Lane Salt Lake City, Utah 84107		
Title		
DSP-128 PLUS		
Size Document Number D	128P-7P.5CH	REV F
Date: October 2, 1998 Sheet		7 of 7