

E0	ADD R31 10K OMIT TO U4.33	2736	DWB	11-6-03
D0	CORRECT CAM SETTINGS FOR THE PASTE SCREEN	2375	BJK	1-9-03
C0	ADD SOLDER MASK TO VIAS ON SOLDER SIDE OF PCB UPDATE ALL 0603 PARTS ON PCB TO REMOVE SILKSCREEN OUTLINES	2284	BJK	10-29-02
B0	RELEASE FOR PRODUCTION	2132	BJK	8-1-02
A0	RELEASE FOR PRODUCTION	2035	BJK	6-7-02

REV	DESCRIPTION	ECN #	INIT	DATE
-----	-------------	-------	------	------

REVISION HISTORY

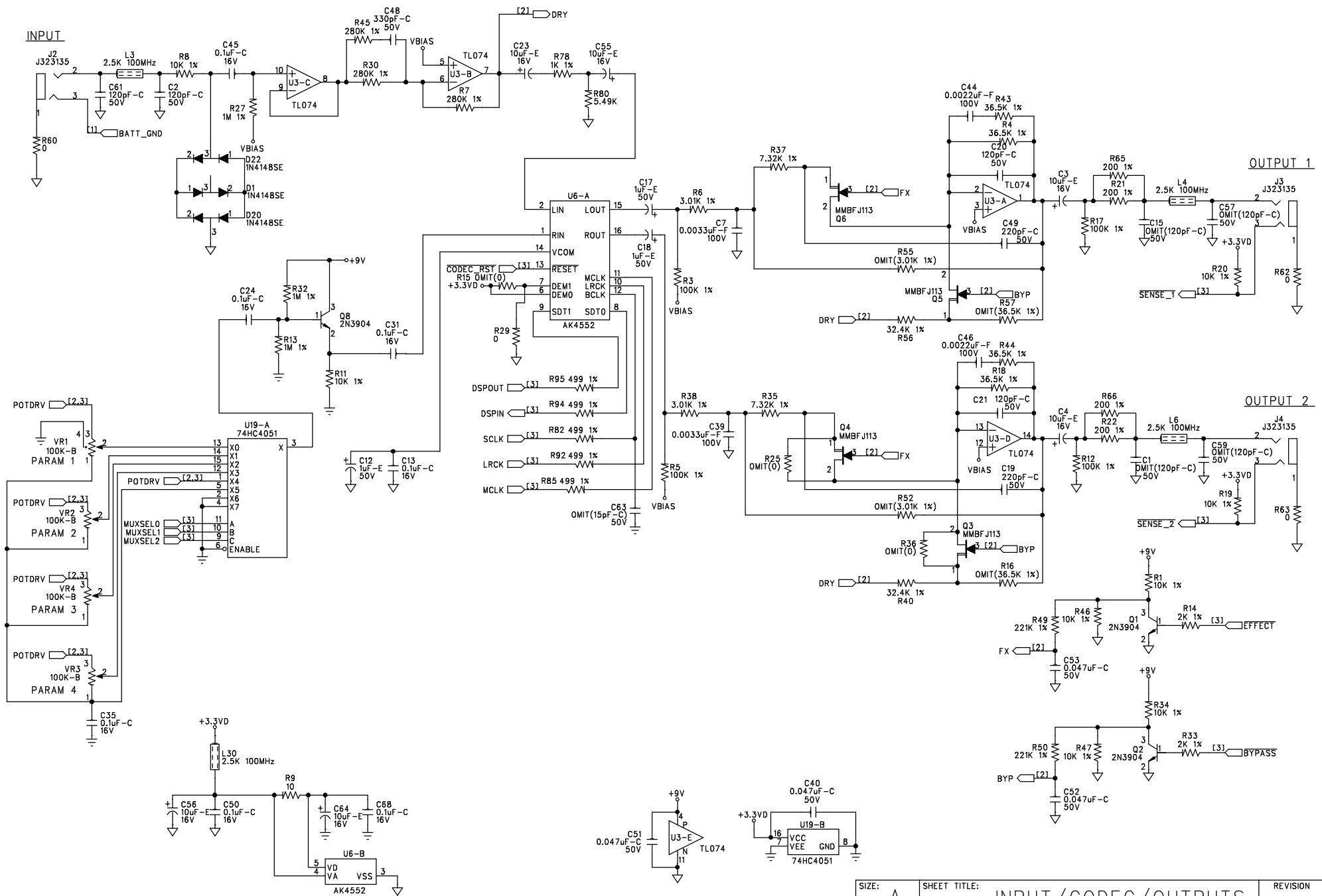
DIGITECH
8760 South Sandy Parkway Sandy Utah 84070

TITLE: **DIGITECH X SERIES - DIGIVERB**

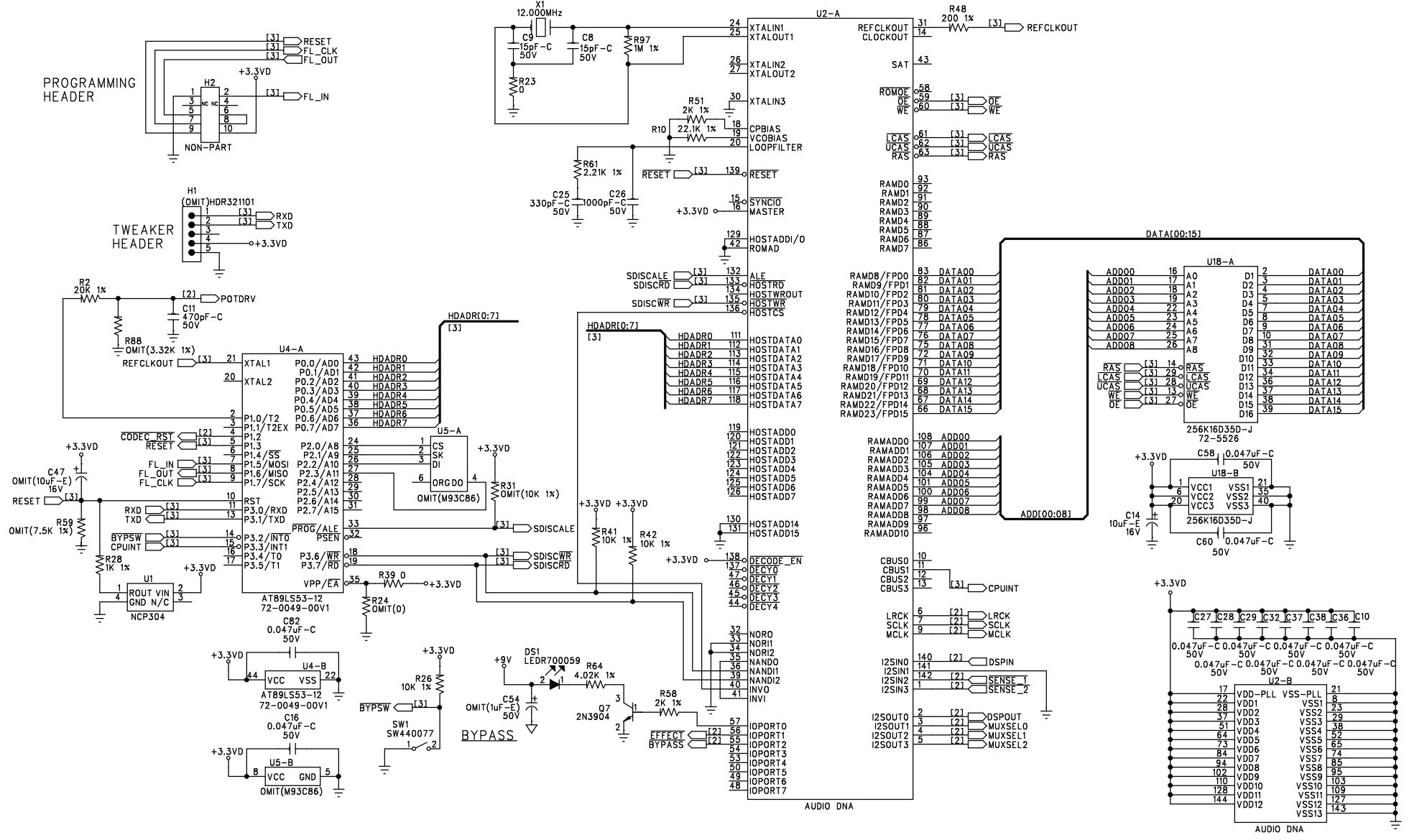
DESIGNER: BONNIE KUMANGAI ENGINEER: CHRIS HAHN

SIZE: **A** DRAWING NO: **05-1809** REVISION: **E0**

DATE: **11-6-03** FILENAME: **051809E0.SCH** SHEET: 1 OF 3



SIZE: A	SHEET TITLE: INPUT/CODEC/OUTPUTS	REVISION: E0
DATE: 11-6-03	DRAWING NO: 05-1809	SHEET: 2 OF 3



Bill Of Materials for 051809E0.sch on Tue Nov 11 13:38:57 2003

Qty	Reference	HMG#	Description	Audit	Schematic Part	PCB Decal
1	PCB1	80-1805	PCB 80-1805 (DIGITECH X SERIES / WITH CLICK POT)	PT2044	80XXXXXY	BARCODE
1	BC2	NON-PART	BATCLIP 20mm DIA. X 3.2 BUTTON STYLE BK (NEG PIN)	PT2761	BC241024-1-NEG	BCLIP5-NEG
1	BC1	24-1024	BATCLIP 20mm DIA. X 3.2 BUTTON STYLE BK (POS PIN)	PT2762	BC241024-1-POS	BCLIP5-POS
2	C44 C46	56-0002	CAP 0.0022uF FILM PTR 100V 5% RF TA	PT1001	C0.0022UF100JR	RFCC200
2	C7 C39	56-0003	CAP 0.0033uF FILM PTR 100V 5% RF TA	PT1103	C0.0033UF100JR	RFCC200
20	C6 C10 C16 C27-29 C32 C36-38 C40-43 C51-53 C58 C60 C82	62-1309	CAP 0.047uF CER 50V 20% Y5V 0603 TA	PT2650	C0.047UC50M0603	0603
7	C13 C24 C31 C35 C45 C50 C68	62-1310	CAP 0.1uF CER 16V 20% Y5V 0603 TA	PT2696	C0.1UC16M0603	0603
1	C26	62-1308	CAP 1000pF CER 50V 20% Y5V 0603 TA	PT2651	C1000PC50M0603	0603
9	C3-4 C14 C23 C33-34 C55-56 C64	60-1071	CAP 10uF EL 16V 20% GP 4x5R 2.5LS TA	PT2197	C10UE16MR1	RED100P
1	C47	OMIT	OMIT CAP 10uF EL 16V 20% GP 4x5R 2.5LS TA (60-1071)	PT2673	C10UE16MR1O	RED100P
4	C2 C20-21 C61	62-1304	CAP 120pF CER 50V 5% NPO 0603 TA	PT2655	C120PC50J0603	0603
4	C1 C15 C57 C59	OMIT	OMIT CAP 120pF CER 50V 5% NPO 0603 TA (62-1304)	PT2750	C120PC50J0603O	0603
2	C8-9	62-1300	CAP 15pF CER 50V 5% NPO 0603 TA	PT2659	C15PC50J0603	0603
1	C63	OMIT	OMIT CAP 15pF CER 50V 5% NPO 0603 TA (62-1300)	PT2666	C15PC50J0603O	0603
3	C12 C17-18	60-1076	CAP 1uF EL 50V 20% GP 4x5R 2.5LS TA	PT2445	C1UE50MR1	RED100P
1	C54	OMIT	OMIT CAP 1uF ELEC 50V 20% GP 4x5R 2.5LS TA (60-1076)	PT2446	C1UE50MR1O	RED100P
2	C19 C49	62-1305	CAP 220pF CER 50V 10% X7R 0603 TA	PT2654	C220PC50K0603	0603
1	C5	60-0010	CAP 22uF EL 35V 20% GP 5x11R 5LS TA	PT2110	C22UE35MR	REE200P
2	C25 C48	62-1306	CAP 330pF CER 50V 10% X7R 0603 TA	PT2653	C330PC50K0603	0603
1	C22	60-0056	CAP 330uF EL 16V 20% GP 8x11R 5LL BK	PT1774	C330UE16MR	REJ138P
1	C11	62-1307	CAP 470pF CER 50V 10% X7R 0603 TA	PT2652	C470PC50K0603	0603
1	D7	70-0017	DIO, 1N4005, 600V, 1 AMP, RDB200, AMMO	PT1455	D1N4005-R	RDB200
3	D1 D20 D22	70-0113	DIO MMBD4148SE DUAL 75V 600mA SOT-23 TA	PT1326	D1N4148SE-S	SOT-23
1	D2	70-0147	DIO SCHOTTKY 1A SS14 DO-214AC/SMA	PT1877	DSS14S	DO-214AC/SMA
3	A3-5	NON-PART	NON-PART, FIDUCIAL, TARGET FOR AUTO INSERTION	PT1271	FIDUCIAL	FIDUCIAL
2	A1-2	NON-PART	NON-PART FIDUCIAL TARGET FOR AI AND XRAY	PT2796	FIDUCIAL-XRAY	FIDUCIAL-XRAY
1	H1	OMIT	OMIT, HDR, 5 PN, 0.079" SP, 1 X 5, 0.020" PS LK SD PO VT MA (32-1101)	PT1825	HDR321101-O	HC579LSPM
1	J1	32-0101	CON JACK BARREL DC 2.0 X 5.5 X 10mm	PT1849	J320101	J320101
3	J2-4	32-3135	CON JACK 1/4" PHONE NON-SHORTING HZ MT	PT2697	J323135	J323135
1	LBL1	30-0121	LABEL BARCODE AUTOINSERTABLE RAW	PT2790	LABEL300121	LABEL300121
1	DS1	70-0059	LED RED DIFFUSED T1.75 CASE WITH 15mm SPC	PT2707	LEDR700059	RLF100
1	L5	26-0000	IND FBD 600 OHM @ 100Hz 200mA 0603 TA	PT2728	LFB260000	0603
4	L3-4 L6 L30	26-0001	IND FBD 2.5K OHM @ 100Hz, 50mA 0603 TA	PT2729	LFB260001	0603
1	L2	26-0215	IND FBD 70 OHM @ 100MHz RIC200 TA	PT1262	LFB260215	RIC200
1	L1	OMIT	OMIT IND FBD 70 OHM @ 100MHz RIC200 TA (26-0215)	PT2678	LFB260215-O	RIC200
1	L9	26-0003	IND 220uH +/-20% .29 AMP SMD	PT2770	LI260003	SLF7032
1	GP1	NON-PART	NON-PART MECCA GND/PWR TIE POINT 2 POS	PT2480	MECCA2	MECCA2
4	MH1-4	NON-PART	NON-PART MOUNTING HOLE 0.156" NON-PLATED #6	PT2797	MH156	MH156
1	H2	NON-PART	NON-PART PD ARY 10 PN 2X5 EDGE CARD SMT	PT2752	PA2X5-EDGE-039-0 00	PA2X5-EDGE-039-0 00
4	Q1-2 Q7-8	70-1058	XSTR, 2N3904, NPN, SOT-23, T&R	PT1203	Q2N3904-S	SOT-23
4	Q3-6	70-1072	XSTR MMBFJ113 N-CHNL JFET SW TA	PT2060	QMMBFJ113-S	SOT-23
6	R23 R29 R39 R60 R62-63	50-1300	RES 0 5% 1/16W SM 0603 TA	PT2508	R0-B5-0603	0603
4	R15 R24-25 R36	OMIT	OMIT RES 0 5% 1/16W SM 0603 TA (50-1300)	PT2509	R0-B5-0603O	0603
1	R9	50-1301	RES 10 5% 1/16W SM 0603 TA	PT2516	R10-B5-0603	0603
6	R3 R5 R12 R17 R53-54	52-1360	RES 100K 1% 1/16W SM 0603 TA	PT2613	R100KB1-0603	0603
11	R1 R8 R11 R19-20 R26 R34 R41-42 R46-47	52-1338	RES 10K 1% 1/16W SM 0603 TA	PT2584	R10KB1-0603	0603
1	R31	OMIT	OMIT RES 10K 1% 1/16W SM 0603 TA (52-1338)	PT2628	R10KB1-0603O	0603
2	R28 R78	52-1313	RES 1K 1% 1/16W SM 0603 TA	PT2550	R1KB1-0603	0603
4	R13 R27 R32 R97	52-1372	RES 1M 1% 1/16W SM 0603 TA	PT2625	R1MB1-0603	0603

1	R61	52-1317	RES 2.21K 1% 1/16W SM 0603 TA	PT2555 R2.21KB1-0603	0603
5	R21-22 R48 R65-66	52-1306	RES 200 1% 1/16W SM 0603 TA	PT2514 R200-B1-0603	0603
1	R2	52-1346	RES 20K 1% 1/16W SM 0603 TA	PT2598 R20KB1-0603	0603
1	R10	52-1347	RES 22.1K 1% 1/16W SM 0603 TA	PT2599 R22.1KB1-0603	0603
2	R49-50	52-1364	RES 221K 1% 1/16W SM 0603 TA	PT2617 R221KB1-0603	0603
3	R7 R30 R45	52-1365	RES 280K 1% 1/16W SM 0603 TA	PT2618 R280KB1-0603	0603
4	R14 R33 R51 R58	52-1316	RES 2K 1% 1/16W SM 0603 TA	PT2553 R2KB1-0603	0603
2	R6 R38	52-1321	RES 3.01K 1% 1/16W SM 0603 TA	PT2559 R3.01KB1-0603	0603
2	R52 R55	OMIT	OMIT RES 3.01K 1% 1/16W SM 0603 TA (52-1321)	BJK(8\ R3.01KB1-0603O 02)	0603
1	R88	OMIT	OMIT RES 3.32K 1% 1/16W SM 0603 TA (52-1324)	PT2763 R3.32KB1-0603O	0603
2	R40 R56	52-1353	RES 32.4K 1% 1/16W SM 0603 TA	PT2605 R32.4KB1-0603	0603
4	R4 R18 R43-44	52-1354	RES 36.5K 1% 1/16W SM 0603 TA	PT2606 R36.5KB1-0603	0603
2	R16 R57	OMIT	OMIT RES 36.5K 1% 1/16W SM 0603 TA (52-1354)	PT2607 R36.5KB1-0603O	0603
1	R64	52-1325	RES 4.02K 1% 1/16W SM 0603 TA	PT2563 R4.02KB1-0603	0603
5	R82 R85 R92 R94-95	52-1308	RES 499 1% 1/16W SM 0603 TA	PT2545 R499-B1-0603	0603
1	R80	52-1330	RES 5.49K 1% 1/16W SM 0603 TA	PT2567 R5.49KB1-0603	0603
2	R35 R37	52-1334	RES 7.32K 1% 1/16W SM 0603 TA	PT2580 R7.32KB1-0603	0603
1	R59	OMIT	OMIT RES 7.5K 1% 1/16W SM 0603 TA (52-1335)	PT2806 R7.5KB1-0603O	0603
1	SW1	44-0077	SWITCH SPST TACT RADIAL	PT1612 SW440077	SW440077
1	U18	72-5526	IC DRAM CMOS 256K x 16 35ns SOJ40-400	PT1923 U256K16D35-J	SOJ40-400
1	U19	72-0085	IC 74HC4051 ANALOG MUX/DEMUX SO16	PT1927 U74HC4051-S	SO16
1	U5	OMIT	OMIT IC M93C86 1K X 16 EEPROM (72-6315)	PT2764 U93C86-S-O	SO8
1	U6	72-0025	IC AK4552 CODEC 3V 96KHz 24BIT	PT2751 UAK4552-T	TSSOP16
1	U2	72-5433	IC AUDIO DNA ATMEL QFP-144	PT2374 UAUDIODNA	QFP144-20X20
1	U7	70-0064	V-REG LM2574S-ADJ SWITCHING REG 1A SO14W	PT2769 ULM2574-S	SO14W
1	U1	72-6308	IC NCP304 VOLTAGE DETECTOR SC-82AB	PT2393 UNCP304	SC-82AB
1	U4	72-0049-00V1	IC AT89LS53-12 12K Flash3.3V 12MHz DIGITECH X SERIES V1	PT2802 UP720049	PLCC-44
1	U3	72-1450	IC, TL074, OP-AMP, QUAD, JFET, -INPUT, SO14, T&R	PT1049 UTL074-S	SO14
3	VR2-4	40-0010	POT 100K B 9mm ROT 37.5mm D-SFT-V 7mm	PT2749 VR100K400010	VR9-25DV
1	VR1	40-0012	POT 100K B 12mm ROT 37.5mm D-SFT-V 7-Dtnt	PT2782 VR100K400012	VR12-375DV
1	X1	76-0201	XTAL, 12.000MHz, METAL CAN, SURFACE MOUNT, T&R	PT1538 Y12.000M760201	XTAL2-V