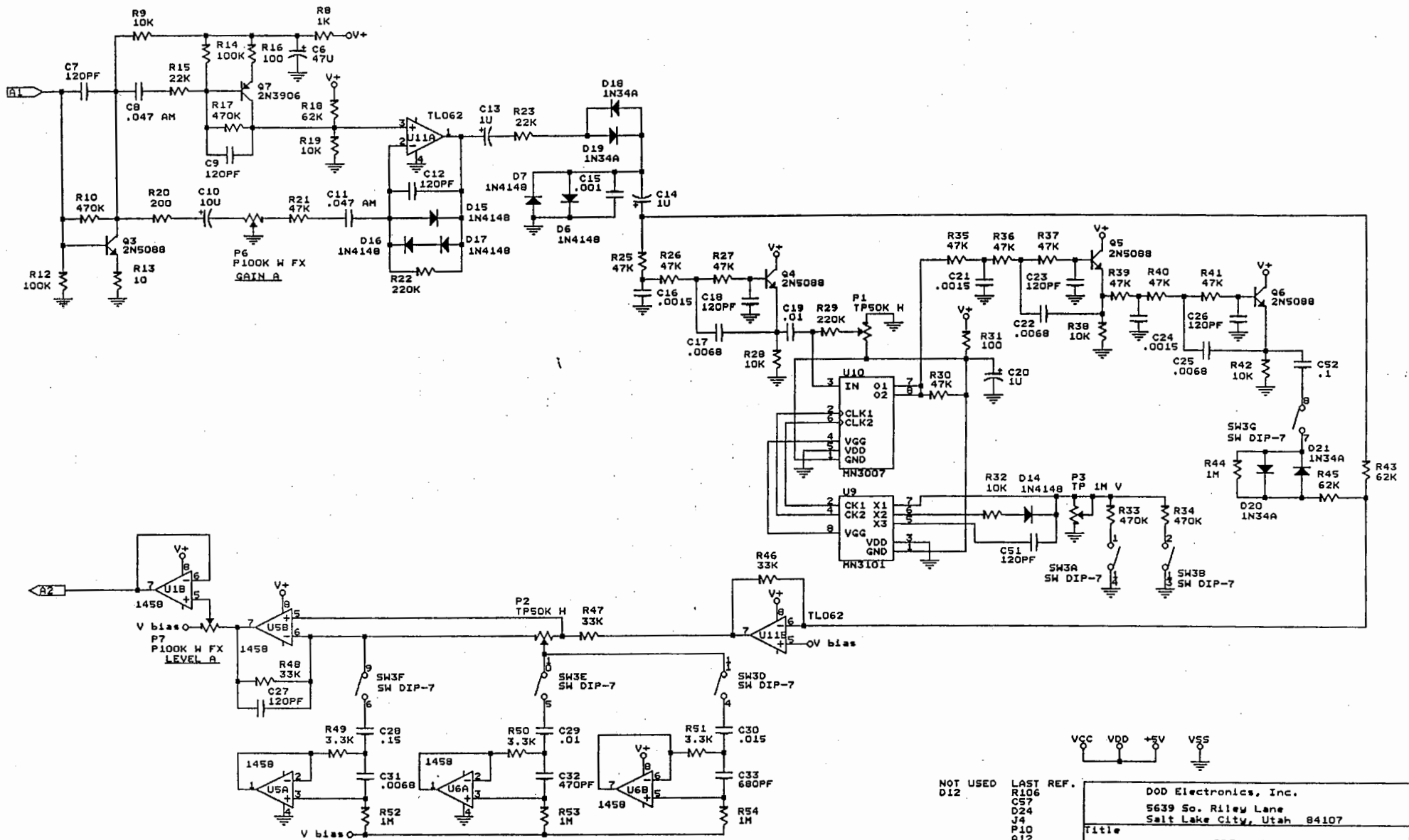


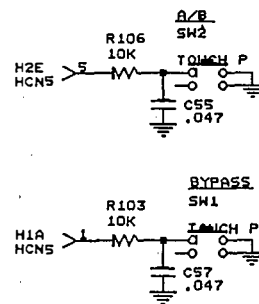
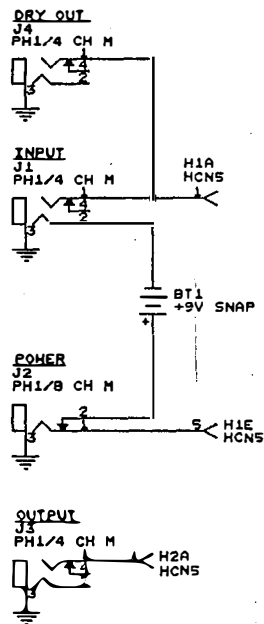
DOD Electronics, Inc.
 5639 So. Riley Lane
 Salt Lake City, Utah 84107
 Title PDS 1550
 Size Document Number REV
 B 1550H001.SCH HO
 Date: November 6, 1989 Sheet 1 of 2



NOT USED
D12

LAST REF.
R106
C57
D24
J4
P10
Q12
S53
U11

DOD Electronics, Inc. 5639 So. Riley Lane Salt Lake City, Utah 84107	
Title	PDS 1550
Size Document Number	1550H002.SCH
B	REV HO
Date: November 6, 1989	Sheet 2 of 2



DOD Electronics, Inc. 5639 So. Riley Lane Salt Lake City, Utah 84107		
Title	PDS 1550	
Size	Document Number	REV
8	1550POCH.SCH	PO
Date:	November 6, 1989	Sheet 1 of 1