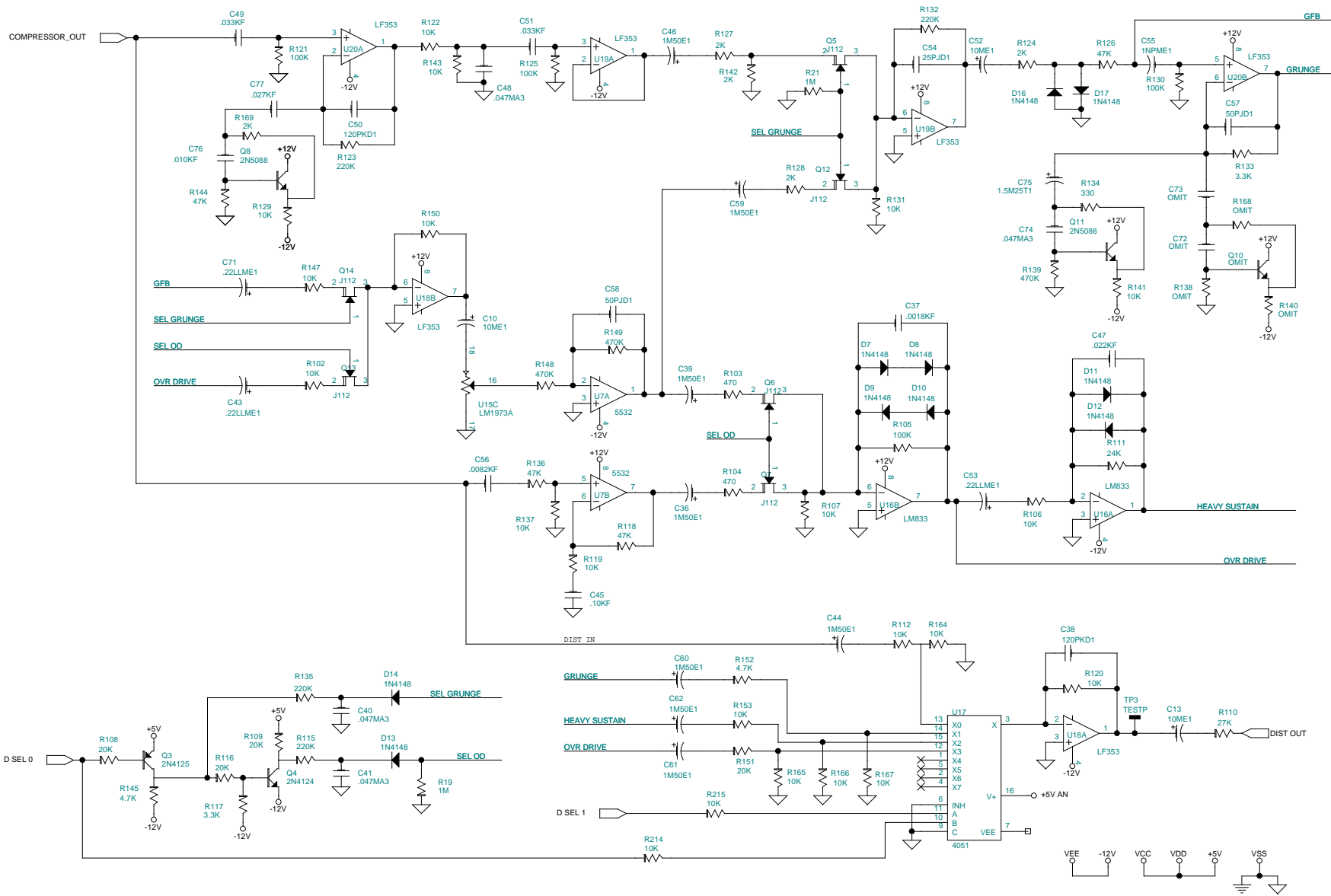
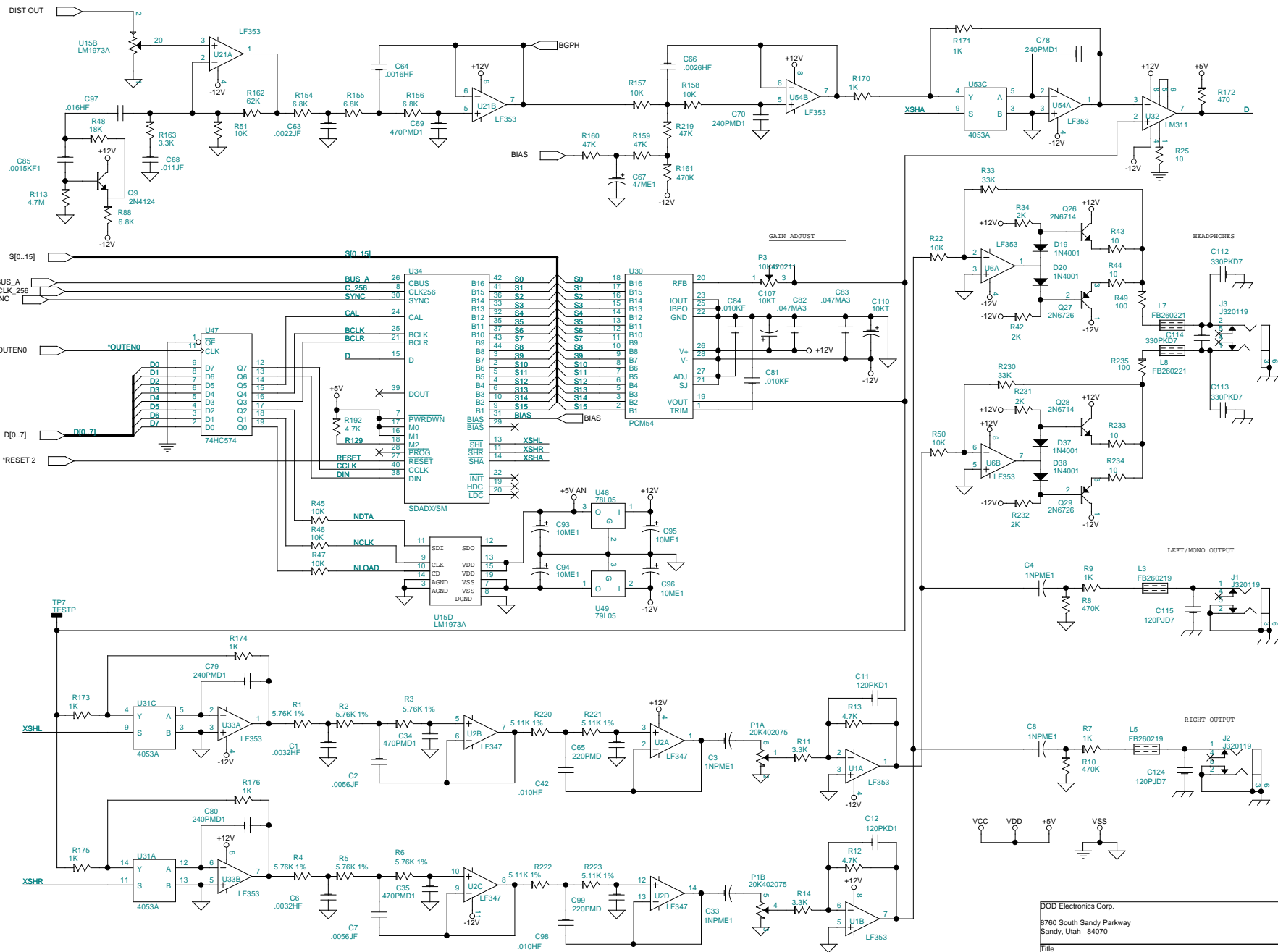


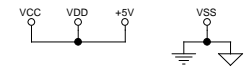
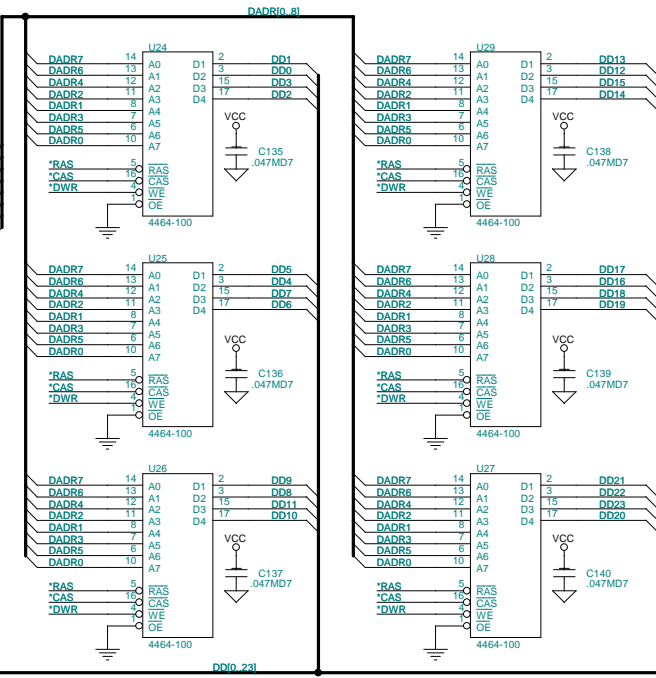
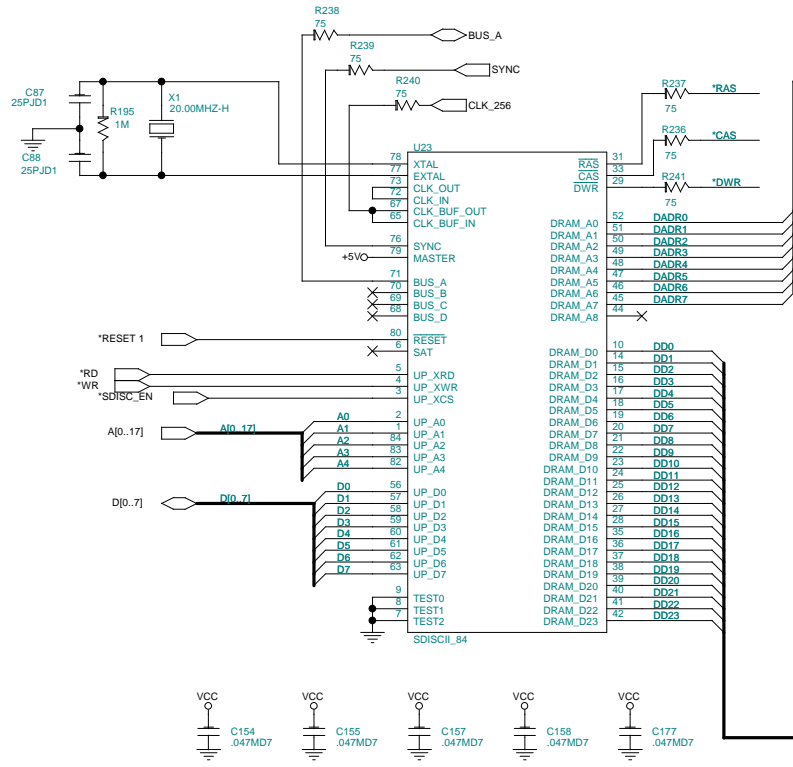
DOD Electronics Corp.		
8760 South Sandy Parkway Sandy, Utah 84070		
Title RP-10 (W/EMI) - IN/COMP/DET		
Size B	Document Number 055042A4.001	Rev A4
Date: Friday, November 10, 2000	Sheet 1 of 6	



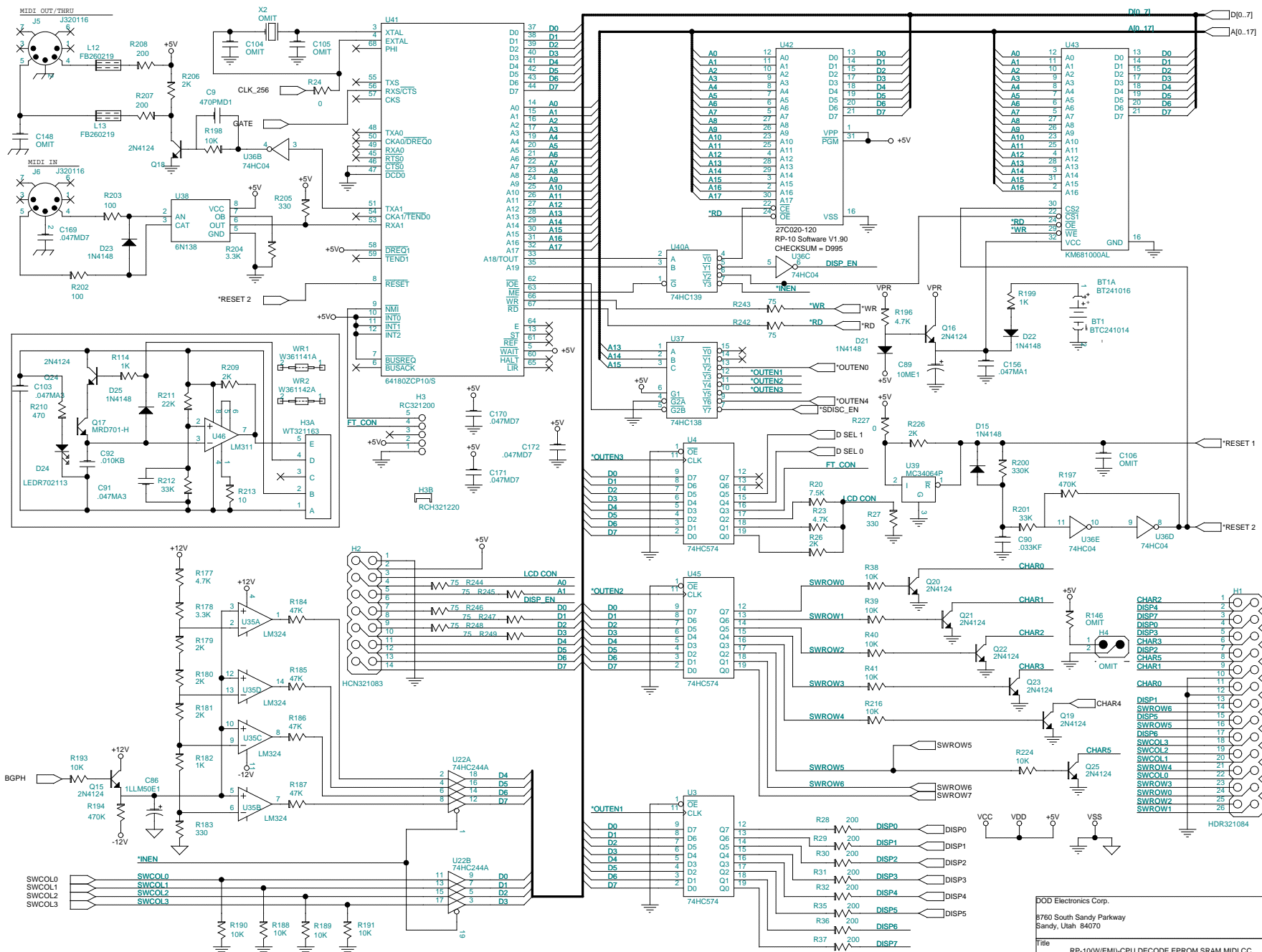
DOD Electronics Corp.		
8760 South Sandy Parkway Sandy, Utah 84070		
Title RP-10 (W/EMI) - DIST		
Size B	Document Number 055042A4.002	Rev A4
Date: Friday, November 10, 2000	Sheet 2 of 6	



DOD Electronics Corp.		
8760 South Sandy Parkway Sandy, Utah 84070		
Title RP-10 (W/EM) - A/D/A, OUTPUTS		
Size B	Document Number 055042A4.003	Rev A4
Date: Friday, November 10, 2000	Sheet 3 of 6	



DOD Electronics Corp.	
8760 South Sandy Parkway Sandy, Utah 84070	
Title RP-10 (W/EM) - DSP, DRAM	
Size B	Document Number 055042A4.004
Date: Friday, November 10, 2000	Rev A4
Sheet 4 of 6	

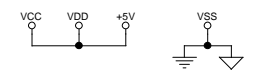
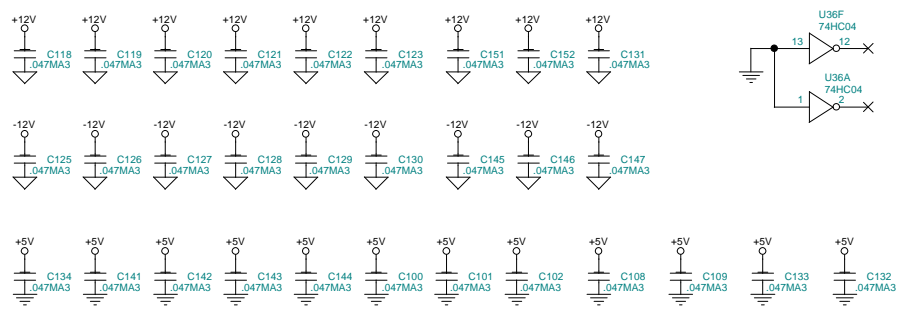
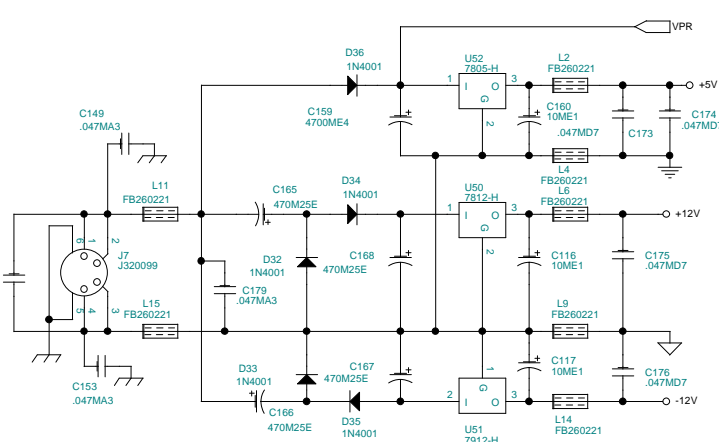
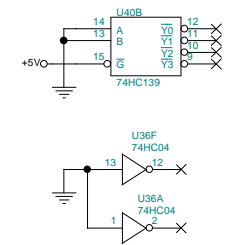
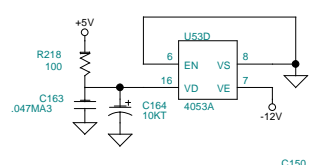
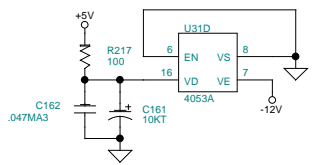
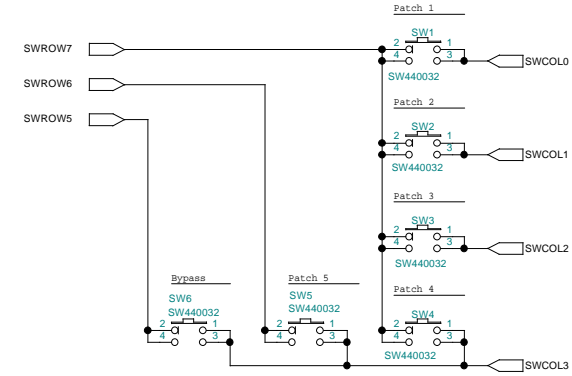
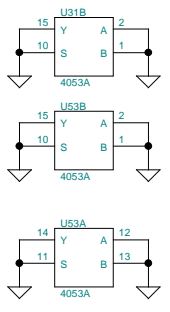
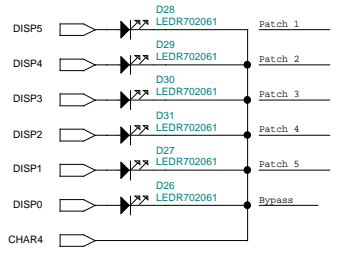


DOD Electronics Corp.  
 8760 South Sandy Parkway  
 Sandy, Utah 84070

Title  
 RP-10(W/EMI)-CPU,DECODE,EPROM,SRAM,MIDI,CC

Size B Document Number 05504244.005 Rev A4

Date: Friday, November 10, 2000 Sheet 5 of 6



DOD Electronics Corp.		
8760 South Sandy Parkway Sandy, Utah 84070		
Title RP-10 (W/EMI) - POWER, SWITCHES		
Size B	Document Number 055042A4.006	Rev A4
Date:	Friday, November 10, 2000	Sheet 6 of 6

RP-10 (W/EMI)  
055042A4.000  
Bill Of Materials

Revised: April 29, 1996  
Revision: A4  
April 29, 1996 10:54:06

Quan	Reference	Part	SYMAN	Description
1	BT1	BTC241014	24-1014	Holder For 3V Battery
1	BT1A	BT241016	24-1016	3V Battery, Lithium, Eveready Part #CR2032
2	C1,C6	.0032HF	56-0076	.0032 uF Cap 100V 3% Poly Film
2	C2,C7	.0056JF	56-1116	.0056 uF Cap 100V 5% Poly Film
6	C3,C4,C8,C30,C33,C55	1NPM1	60-0046-01	1.0 uF Cap 16V -20/+20% Elect., N.P. T&R
45	C5,C17,C40,C41,C48,C74, C82,C83,C91,C100,C101, C102,C103,C108,C109,C118, C119,C120,C121,C122,C123, C125,C126,C127,C128,C129, C130,C131,C132,C133,C134, C141,C142,C143,C144,C145, C146,C147,C149,C151,C152, C153,C162,C163,C179	.047MA3	62-0067	0.047 uF Cap 50V 20% Axial Monolithic
4	C9,C34,C35,C69	470PMD1	62-0003	470 pF Cap 50V 20% Ceramic Disc T&R
11	C10,C13,C52,C89,C93,C94, C95,C96,C116,C117,C160	10ME1	60-0049-01	10 uF Cap 16V -20/+20% Elect., -D T&R
5	C11,C12,C23,C38,C50	120PKD1	62-0002	120 pF Cap 50V 10% Ceramic Disc T&R
4	C14,C111,C115,C124	120PJD7	62-3135	120 pF Cap 50V 5% Cerm SMT 0805
4	C15,C76,C81,C84	.010KF	56-2022	.010 uF Cap 100V 10% Poly Film
2	C16,C20	.33LLM50E1	60-0061-01	.33 uF Cap 50V 20% Elect, LL T&R
9	C18,C19,C25,C26,C31,C32, C43,C53,C71	.22LLME1	60-0039-01	.22 uF Cap 16V -20/+20% Elect, LL-D T&R
1	C21	4.7ME1	60-0048-01	4.7 uF Cap 16V -20/+20% Elect., T&R
1	C22	100M25E1	60-0055	100 uF Cap 25V -20/+20% Elect-D T&R
1	C24	15PJD1	62-0007	15 pF Cap 50V 5% Ceramic Disc T&R
1	C27	200PMD1	62-0009	200 pF Cap 50V 20% Ceramic Disc T&R
2	C28,C47	.022KF	56-2025	.022 uF Cap 100V 10% Poly Film
5	C29,C70,C78,C79,C80	240PMD1	62-0010	240 pF Cap 50V 20% Ceramic Disc T&R
8	C36,C39,C44,C46,C59,C60, C61,C62	1M50E1	60-0044-01	1.0 uF Cap 50V -20/+20% Elect., T&R C&F
1	C37	.0018KF	56-2011	.0018 uF Cap 100V 10% Poly Film
2	C42,C98	.010HF	56-0081	.010 uF Cap 100V 3% Poly Film
1	C45	.10KF	56-2035	.10 uF Cap 100V 10% Poly Film
3	C49,C51,C90	.033KF	56-2027	.033 uF Cap 100V 10% Poly Film
3	C54,C87,C88	25PJD1	62-0001	25 pF Cap 50V 5% Ceramic Disc T&R
1	C56	.0082KF	56-2019	.0082 uF Cap 100V 10% Poly Film
2	C57,C58	50PJD1	62-0008	50 pF Cap 50V 5% Ceramic Disc T&R
1	C63	.0022JF	56-1112	.0022 uF Cap 100V 5% Poly Film
1	C64	.0016HF	56-0073	.0016 uF Cap 100V 3% PET Film
2	C65,C99	220PMD	62-0022	220 pF Cap 50V 20% Ceramic Disc T&R
1	C66	.0026HF	56-0170	.0026 uF Cap 100V 3% Poly Film
1	C67	47ME1	60-0054-01	47 uF Cap 16V -20/+20% Elect., T&R, 5X8mm body
1	C68	.011JF	56-1119	.011 uF Cap 100V 5% Poly Film
1	C75	1.5M25T1	62-0164	1.5 uF Cap 25V 20% Tantalum T&R
1	C77	.027KF	56-2026	.027 uF Cap 100V 10% Poly Film
1	C85	.0015KF1	56-2010	.0015 uF Cap 100V 10% Poly Film T&R
1	C86	1LLM50E1	60-0045-01	1.0 uF Cap 50V 20% Elect., LL T&R
1	C92	.010KB	62-1008-03	.010 uF Cap 100V 10% 5mm Poly. Film Box
1	C97	.016HF	56-0083	.016 uF Cap 100V 3% Poly Film
4	C107,C110,C161,C164	10KT	62-0163	10 uF Cap 16V 10% Tantalum T&R
3	C112,C113,C114	330PKD7	62-3131	330 pF Cap 50V 10% Cerm SMT 0805

DOD Software  
RP-10 (W/EMI)  
055042A4.000  
Bill Of Materials

Revised: April 29, 1996  
Revision: A4  
April 29, 1996 10:54:06



Quan	Reference	Part	SYMAN	Description
21	C135,C136,C137,C138,C139, C140,C150,C154,C155,C157, C158,C169,C170,C171,C172, C173,C174,C175,C176,C177, C178	.047MD7	62-3129	.047 uF Cap 50V 20% Cerm SMT 0805
1	C156	.047MA1	62-0067-01	0.047 uF Cap 50V 20% Axial Monolithic
1	C159	4700ME4	60-0062	4700 uF Cap 16V -20/+20% Elect-L
4	C165,C166,C167,C168	470M25E	60-0058	470 uF Cap 25V -20/+20% Elect
22	D1,D2,D3,D4,D5,D6,D7,D8, D9,D10,D11,D12,D13,D14, D15,D16,D17,D18,D21,D22, D23,D25	1N4148	70-0002	1N4148 Diode Silicon Switching, 75 Volts PIV
9	D19,D20,D32,D33,D34,D35, D36,D37,D38	1N4001	70-0001	1N4001 Silicon Rectifier, 1 Amp, 50 Volts PIV
1	D24	LEDR702113	70-2113	Red Light Emitting Diode, T1 Ammo
6	D26,D27,D28,D29,D30,D31	LEDR702061	70-2061	LED Red, T1 Case (Use only with led spacers)
1	H1	HDR321084	32-1084	26 Pin Hdr, 13x2, 0.1" spacing, 0.025 pins, Right Angle
1	H2	HCN321083	32-1083	14 Pin Hdr, 7x2, 0.1" spacing, 0.025 pins, .375
1	H3	RC321200	32-1200	5 Pin Ribbon Cable, 2mm spacing, 2.00" Length
1	H3A	WT321163	32-1163	5 Circuit Wire Trap Connector, 2mm Pitch
1	H3B	RCH321220	32-1220	5 Pin Ribbon Cable, Holder, 2mm spacing
1	HS1	HS704204	70-4204	Heatsink, 3 Regulator, Top
1	HS2	HS704205	70-4205	Heatsink, L-Shape Base
1	I1	INS704209	70-4209	Insulator, 3 Regulator Heatsink
4	J1,J2,J3,J4	J320119	32-0119	1/4 Phone Jack, Hor. Mount, Full Nose Thread Slimline
2	J5,J6	J320116	32-0116	JACK, Shielded 5 pin DIN, PCB mount
1	J7	J320099	32-0099	4 Pin Din JACK, Female PCB Mount, R/A Shielded U/M
5	L1,L3,L5,L12,L13	FB260219	26-0219	Ferrite Bead, 600 ohms @100Mhz, SMT 0805
9	L2,L4,L6,L7,L8,L9,L11, L14,L15	FB260221	26-0221	Ferrite Bead w/axial lead
2	MM1,MM2	MP300H156	00-0000	This is not a part
1	P1	20K402075	40-2075	20 K "B" 16mm, Rot Pot x2, 25mm D shaft
1	P2	50K420222	42-0222	50 K Trim Pot, Vertical Mount, 3/4 turn
1	P3	10K420211	42-0211	10 K Trim Pot, Horizontal Mount, 3/4 turn
1	PCB1	80-5042-A	80-5042-A	RP10 MAIN BOTTOM PCB RAW (EMI)
13	Q1,Q4,Q9,Q15,Q16,Q18,Q19, Q20,Q21,Q22,Q23,Q24,Q25	2N4124	70-1009	2N4124 NPN, Gen. Purp. Amplifier/Switching Xstr T&R
2	Q2,Q3	2N4125	70-1008	2N4125 PNP, Gen. Purp. Amplifier/Switching Xstr
6	Q5,Q6,Q7,Q12,Q13,Q14	J112	70-1012	J112A JFET, National Only
2	Q8,Q11	2N5088	70-1007	2N5088 NPN, Transistor, T&R
1	Q17	MRD701-H	70-2010	Photo Transistor, Horizontal (MRD701)
2	Q26,Q28	2N6714	70-1155	2N6714 NPN, Transistor
2	Q27,Q29	2N6726	70-1156	2N6726 PNP, Transistor
6	R1,R2,R3,R4,R5,R6	5.76K 1%	52-0116	5.76 KOhm Resistor 1% 1/4 Watt Metal Film
12	R7,R9,R75,R114,R170,R171, R173,R174,R175,R176,R182, R199	1K	50-0012	1 KOhm Resistor 5% 1/4 Watt Carbon Film
9	R8,R10,R16,R139,R148, R149,R161,R194,R197	470K	50-0042	470 KOhm Resistor 5% 1/4 Watt Carbon Film
9	R11,R14,R86,R87,R117, R133,R163,R178,R204	3.3K	50-0014	3.3 KOhm Resistor 5% 1/4 Watt Carbon Film
9	R12,R13,R23,R62,R145,	4.7K	50-0015	4.7 KOhm Resistor 5% 1/4 Watt Carbon Film
DOD Software				Page
RP-10 (W/EMI)				Revised: April 29, 1996
055042A4.000				Revision: A4
Bill Of Materials				April 29, 1996 10:54:06
Quan Reference	Part	SYMAN	Description	
1	R152,R177,R192,R196			
1	R15	10K-7	50-1503	10 KOhm Resistor 5% 1/10 Watt CF, SMT 0805

54	R17,R22,R38,R39,R40,R41, R45,R46,R47,R50,R51,R55, R63,R77,R84,R89,R90,R95, R96,R97,R98,R101,R102, R106,R107,R112,R119,R120, R122,R129,R131,R137,R141, R143,R147,R150,R153,R157, R158,R164,R165,R166,R167, R188,R189,R190,R191,R193, R198,R214,R215,R216,R224, R229	10K	50-0020	10	KOhm Resistor	5%	1/4	Watt Carbon Film
5	R18,R61,R70,R81,R85	15K	50-0019	15	KOhm Resistor	5%	1/4	Watt Carbon Film
4	R19,R21,R59,R195	1M	50-0045	1	MOhm Resistor	5%	1/4	Watt Carbon Film
1	R20	7.5K	50-0017	7.5	KOhm Resistor	5%	1/4	Watt Carbon Film
2	R24,R227	0	50-0050	0	Ohm Resistor	5%	1/4	Watt Carbon Film
6	R25,R43,R44,R213,R233, R234	10	50-0001	10	Ohm Resistor	5%	1/4	Watt Carbon Film
16	R26,R34,R42,R124,R127, R128,R142,R169,R179,R180, R181,R206,R209,R226,R231, R232	2K	50-0013	2	KOhm Resistor	5%	1/4	Watt Carbon Film
4	R27,R134,R183,R205	330	50-0005	330	Ohm Resistor	5%	1/4	Watt Carbon Film
10	R28,R29,R30,R31,R32,R35, R36,R37,R207,R208	200	50-0004	200	Ohm Resistor	5%	1/4	Watt Carbon Film
5	R33,R68,R201,R212,R230	33K	50-0028	33	KOhm Resistor	5%	1/4	Watt Carbon Film
1	R48	18K	50-0022	18	KOhm Resistor	5%	1/4	Watt Carbon Film
7	R49,R64,R202,R203,R217, R218,R235	100	50-0003	100	Ohm Resistor	5%	1/4	Watt Carbon Film
14	R52,R54,R56,R57,R91,R92, R93,R94,R99,R100,R108, R109,R116,R151	20K	50-0023	20	KOhm Resistor	5%	1/4	Watt Carbon Film
2	R53,R78	150K	50-0038	150	KOhm Resistor	5%	1/4	Watt Carbon Film
1	R58	51	50-0002	51	Ohm Resistor	5%	1/4	Watt Carbon Film
7	R60,R66,R83,R105,R121, R125,R130	100K	50-0036	100	KOhm Resistor	5%	1/4	Watt Carbon Film
1	R65	120K	50-0037	120	KOhm Resistor	5%	1/4	Watt Carbon Film
15	R67,R71,R72,R79,R118, R126,R136,R144,R159,R160, R184,R185,R186,R187,R219	47K	50-0030	47	KOhm Resistor	5%	1/4	Watt Carbon Film
2	R69,R211	22K	50-0025	22	KOhm Resistor	5%	1/4	Watt Carbon Film
2	R73,R162	62K	50-0032	62	KOhm Resistor	5%	1/4	Watt Carbon Film
1	R74	10KRX9	54-0355	10	KOhm 10-Pin SIP BX-103			
6	R76,R80,R115,R123,R132, R135	220K	50-0040	220	KOhm Resistor	5%	1/4	Watt Carbon Film
4	R88,R154,R155,R156	6.8K	50-0016	6.8	KOhm Resistor	5%	1/4	Watt Carbon Film
4	R103,R104,R172,R210	470	50-0006	470	Ohm Resistor	5%	1/4	Watt Carbon Film
1	R110	27K	50-0027	27	KOhm Resistor	5%	1/4	Watt Carbon Film
1	R111	24K	50-0026	24	KOhm Resistor	5%	1/4	Watt Carbon Film
1	R113	4.7M	50-0291	4.7	MOhm Resistor	5%	1/4	Watt Carbon Film
1	R200	330K	50-0041	330	KOhm Resistor	5%	1/4	Watt Carbon Film

DOD Software

RP-10 (W/EMI)

055042A4.000

Bill Of Materials

Quan Reference

Revised: April 29, 1996

Revision: A4

April 29, 1996 10:54:06

Part SYMAN Description

Page

4	R220,R221,R222,R223	5.11K 1%	52-0117	5.11	KOhm Resistor	1%	1/4	Watt Metal Film
1	R228	12K	50-0021	12	KOhm Resistor	5%	1/4	Watt Carbon Film
14	R236,R237,R238,R239,R240, R241,R242,R243,R244,R245, R246,R247,R248,R249	75	50-0171	75	Ohm Resistor	5%	1/4	Watt Carbon Film
1	S7	DIP8S	70-3020	8	Pin Dip Socket			
1	S15	DIP20S	70-3018	20	Pin Dip Socket			

## 055042a4.pls

6	S24,S25,S26,S27,S28,S29	DIP18S	70-3160	18 Pin Dip Socket
1	S30	DIP28S	70-3161	28 Pin Dip Socket, .600 wide
2	S42,S43	DIP32S	70-3017	32 Pin Dip Socket
2	SR1,SR2	SR280058	28-0058	Screw, 6-32 x 3/8", Pozi, Pan, Black
2	SR3,SR4	SR280059	28-0059	Screw, 6-32 x 1/4", Pozi, Pan, Black
1	SS3	MP250H120	00-0000	This is not a part
6	SW1,SW2,SW3,SW4,SW5,SW6	SW440032	44-0032	Lite Touch Switch For FX/PDS
4	TP1,TP2,TP3,TP7	TESTP	00-0000	Test point, Standard
9	U1,U6,U13,U18,U19,U20, U21,U33,U54	LF353	72-4030	LF353 Wide Bandwidth Dual JFET Input Op-Amp
3	U2,U5,U12	LF347	72-4040	LF347 Wide Bandwidth Quad JFET Input Op-Amp
5	U3,U4,U14,U45,U47	74HC574	72-1112	Octal D-Type Pos. Edge Triggered Flip-Flops
1	U7	5532	72-4023	5532 Low Noise Dual Op-Amp
2	U9,U16	LM833	72-4246	Low Noise Dual Audio Operational Amp
2	U10,U17	4051	72-0081	8 CH Analog Multiplex
1	U11	DBX2155	72-4055	dbx 2155 Voltage Controlled Amplifier
1	U15	LM1973A	72-4043	LM1973 Triple digital controlled analog attenuator
1	U22	74HC244A	72-1107	Octal Buffer-Line Driver W/3-State Outputs
1	U23	SDISCI1_84	72-3177	SDISCI1,ASIC, Digitech Custom DSP, 84 PIN PLCC
6	U24,U25,U26,U27,U28,U29	4464-100	72-3149-10	4464, 64K X 4 Dynamic RAM -100ns LH2464
1	U30	PCM54	72-3079	16 BIT DAC
2	U31,U53	4053A	72-0086	Triple 2 Pole Analog Mux
2	U32,U46	LM311	72-4027	LM311 Analog Voltage Comparator
1	U34	SDADX/SM	72-3176	A/D/A Interface ASIC, SMT
1	U35	LM324	72-4028	Low Power Quad Operational Amplifier
1	U36	74HC04	72-1098	Hex Inverter 74HC04
1	U37	74HC138	72-1108	3 Line to 8 Line Decoder/Demultiplexer
1	U38	6N138	70-2139	6N138 Opto-Isolator
1	U39	MC34064P	70-5004	MC34064 Undervoltage Sensing Circuit
1	U40	74HC139	72-1100	Dual 2 Line to 4 Line Decoder/Demultiplexer
1	U41	64180ZCP10	72-3154	CPU Z180 Microprocessor,SMT
1	U42	72-3076-08	72-3076-08	27C020-120 EPROM w/window V1.90 (RP10)
1	U43	KM681000AL	72-3059	128K X 8 RAM Static
1	U48	78L05	70-4012	78L05 +5 Volt 100 mA Voltage Regulator TO-92
1	U49	79L05	70-4127	79L05 -5 Volt 100 mA Voltage Regulator TO-92
1	U50	7812-H	70-4013	7812 +12 Volt 1 Amp Voltage Regulator TO-220 HORIZ
1	U51	7912-H	70-4017	7912 -12 Volt 1 Amp Voltage Regulator TO-220 HORIZ
1	U52	7805-H	70-4014	7805 +5 Volt 1 Amp Voltage Regulator TO-220 HORIZ
4	WA1,WA2,WA3,WA4	WA280187	28-0187-A	Washer, for grounding J320119
1	WR1	W361141A	36-1141-A	Wire, 2 End, 3.00", BLK, 24AWG, stripped, tinned
1	WR2	W361142A	36-1142-A	Wire, 2 End, 3.00", RED, 24AWG, stripped, tinned
1	X1	20.00MHZ-H	76-0321	20.00 MHZ Crystal, Horiz
15	X2,H4,Q10,S34A,C72,C73, R82,C104,C105,C106,R138, R140,R146,C148,R168	OMIT	00-0000	This part has been omitted