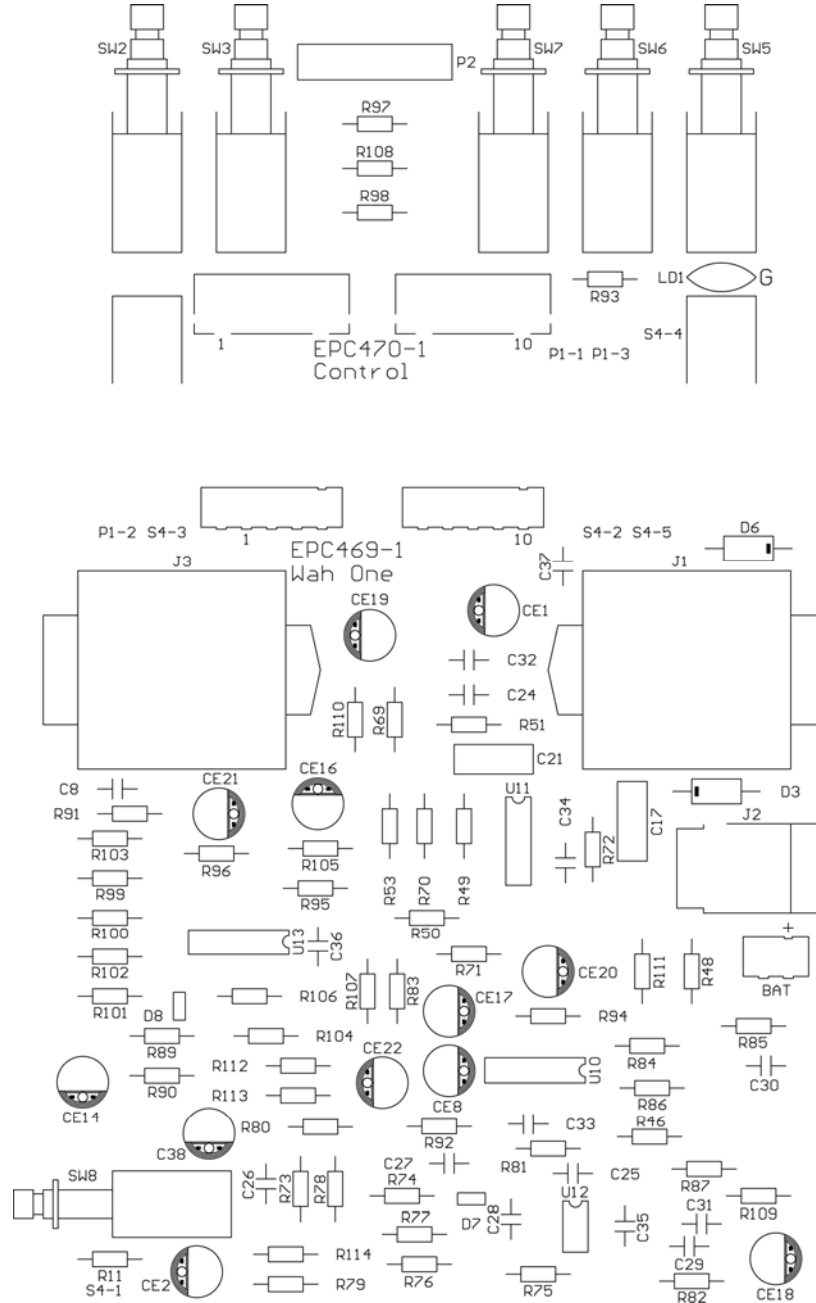


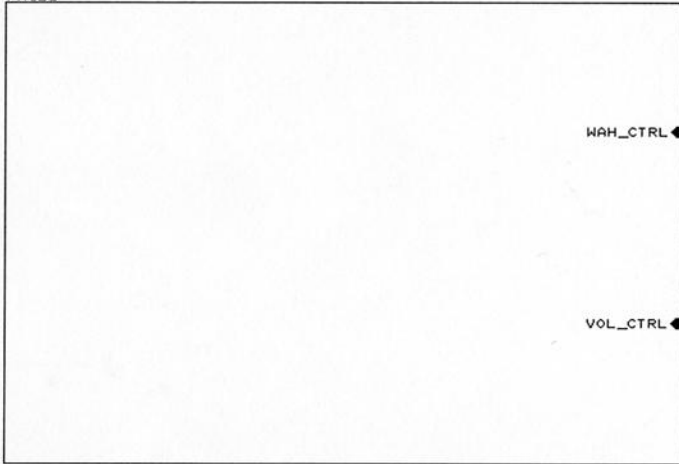
COMPONENT LIST:

Item	Qty	Reference	Part	Description
1	2	C8,C26	22p CC05	Capacitor Ceramic
2	1	C29	100p CC05	Capacitor Ceramic
3	3	C25,C30,C31	470p CC05	Capacitor Ceramic
4	1	C24	1n CC05	Capacitor Ceramic
5	1	C32	4.7n CC05	Capacitor Ceramic
6	7	C27,C28,C33,C34,C35,C36,C37	100n CC05	Capacitor Ceramic Multilayer
7	2	C17,C21	6.8n CF21	Capacitor Metalized Polyester
8	1	Cx	47n CF21	Capacitor Metalized Polyester
9	2	CE2,CE14	0.47u/35V CES22	Capacitor Ellyt Miniature
10	1	C38	2.2u/50V CES22	Capacitor Ellyt Miniature
11	2	CE8,CE21	4.7u/16V CES22	Capacitor Ellyt Miniature
12	6	CE16,CE17,CE18,CE19,CE20,CE22	10u/25V CES22	Capacitor Ellyt Miniature
13	1	CE1	220u/16V CES24	Capacitor Ellyt Standard
14	1	U10	SSM2164S	SMD Quad VCA (Analog Devices)
15	1	U11	TL064D	SMD Op Amp Quad J-FET Low Power
16	1	U12	TS462CD	SMD Op Amp Dual Low Noise
17	1	U13	TS925ID	SMD Op Amp Quad /w GND Ref
18	1	D7	BAS28	SMD Dual Diode Small Signal
19	1	D8	BAT74	SMD Dual Diode Schottky
20	2	D3,D6	1N4004	Diode 1A 400V
21	1	LD1	LEDDUAL	LED Dual Red/Green 3mm
22	2	R105,R106	100 R200	Resistor Metal Film 0.2W 1%
23	4	R79,R81,R85,R87	470 R200	Resistor Metal Film 0.2W 1%
24	4	R69,R76,R77,R93	1.5k R200	Resistor Metal Film 0.2W 1%
25	2	R70,R80	2.2k R200	Resistor Metal Film 0.2W 1%
26	2	R53,R113	3.3k R200	Resistor Metal Film 0.2W 1%
27	1	R94	6.8k R200	Resistor Metal Film 0.2W 1%
28	5	R49,R50,R71,R72,R112	10k R200	Resistor Metal Film 0.2W 1%
29	5	R83,R84,R86,R98,R107	15k R200	Resistor Metal Film 0.2W 1%
30	3	R89,R95,R101	22k R200	Resistor Metal Film 0.2W 1%
31	1	R82	27k R200	Resistor Metal Film 0.2W 1%
32	3	R51,R92,R114	33k R200	Resistor Metal Film 0.2W 1%
33	4	R73,R78,R100,R108	47k R200	Resistor Metal Film 0.2W 1%
34	7	R11,R74,R75,R99,R109,R110,R111	100k R200	Resistor Metal Film 0.2W 1%
35	2	R96,R97	150k R200	Resistor Metal Film 0.2W 1%
36	1	R103	330k R200	Resistor Metal Film 0.2W 1%
37	1	R102	470k R200	Resistor Metal Film 0.2W 1%
38	2	R46,R48	680k R200	Resistor Metal Film 0.2W 1%
39	2	R90,R104	1MEG R200	Resistor Metal Film 0.2W 1%
40	1	R91	10MEG R200	Resistor Metal Film 0.2W 1%
41	1	Rx	10k R400	Resistor Metal Film 0.6W 1%
42	1	P2	100kB ALPH	Potentiometer Carbon Lin Alpha Alpha RV16A-20B1-15K-B100K-101
43	1	P1	WAH PEDAL	Potentiometer Pedal Alpha RV24-10-20K-B25K-001
44	1	SW4	FOOTSW	Foot Switch 3-pole
45	1	SW8	SPPJ3	Switch PC-Mounted DPDT (Alps)
46	5	SW2,SW3,SW5,SW6,SW7	SPP2P	Switch PC-Mounted STD DPDT 3.3mm Alpha SP70030-0202-13F1-01-NN
47	2	J1,J3	LJB0664	Jack Stereo Plastic Lih Sheng
48	1	BT1	BATTERY 9V	Battery Connector 9V
49	1	J2	ELJAP	Adapter Jack 2.1mm center
50	1	JX	PCLIST10	PCB Interconnection 10-pole

COMPONENT PLACEMENT COMPONENT SIDE:



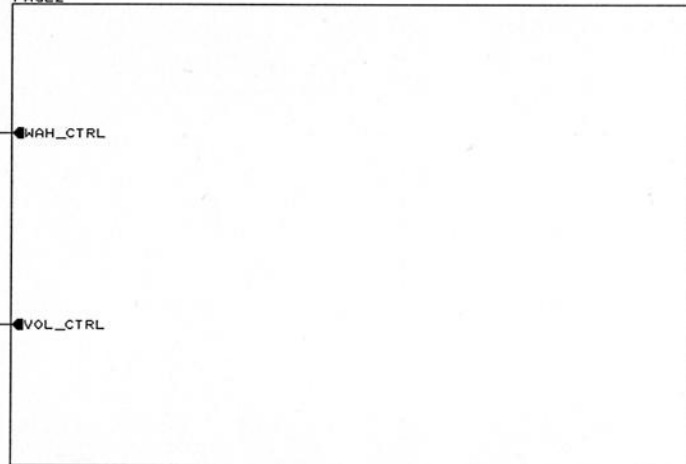
PAGE1



WAH_CTRL

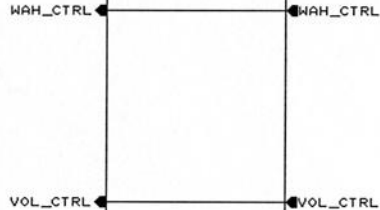
VOL_CTRL

PAGE2



WAH_CTRL


VOL_CTRL

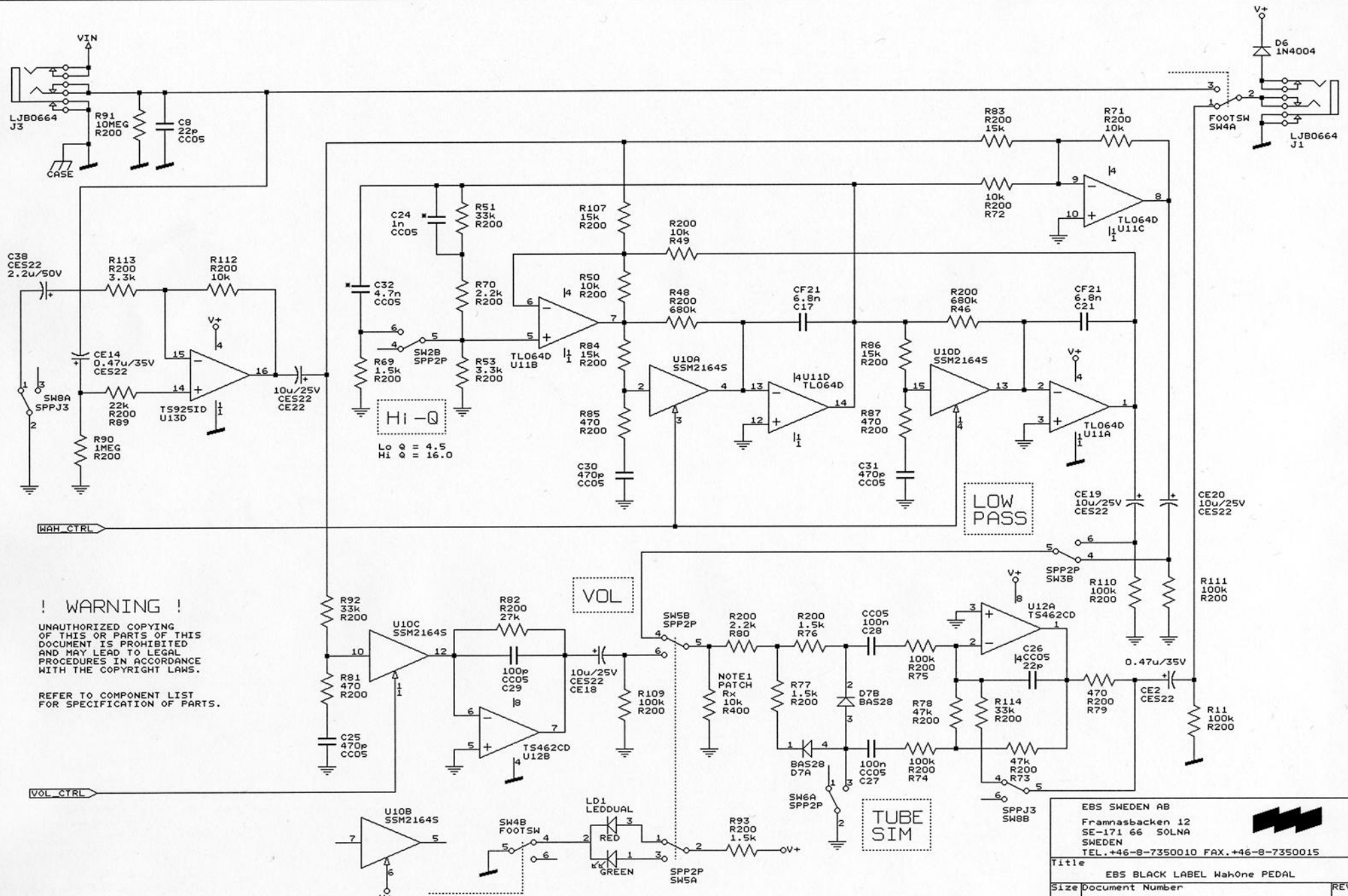


! WARNING !

UNAUTHORIZED COPYING
 OF THIS OR PARTS OF THIS
 DOCUMENT IS PROHIBITED
 AND MAY LEAD TO LEGAL
 PROCEDURES IN ACCORDANCE
 WITH THE COPYRIGHT LAWS.

REFER TO COMPONENT LIST
 FOR SPECIFICATION OF PARTS.

EBS SWEDEN AB			
Framnasbacken 12			
SE-171 66 SOLNA			
SWEDEN			
TEL.+46-8-7350010 FAX.+46-8-7350015			
Title			
EBS WahOne PEDAL			
Size	Document Number		REV
A	BL_WAH.		A
Date: February 13, 2006 Sheet 1 of 3			



! WARNING !

UNAUTHORIZED COPYING OF THIS OR PARTS OF THIS DOCUMENT IS PROHIBITED AND MAY LEAD TO LEGAL PROCEDURES IN ACCORDANCE WITH THE COPYRIGHT LAWS.

REFER TO COMPONENT LIST FOR SPECIFICATION OF PARTS.

Hi-Q
Lo Q = 4.5
Hi Q = 16.0

LOW PASS

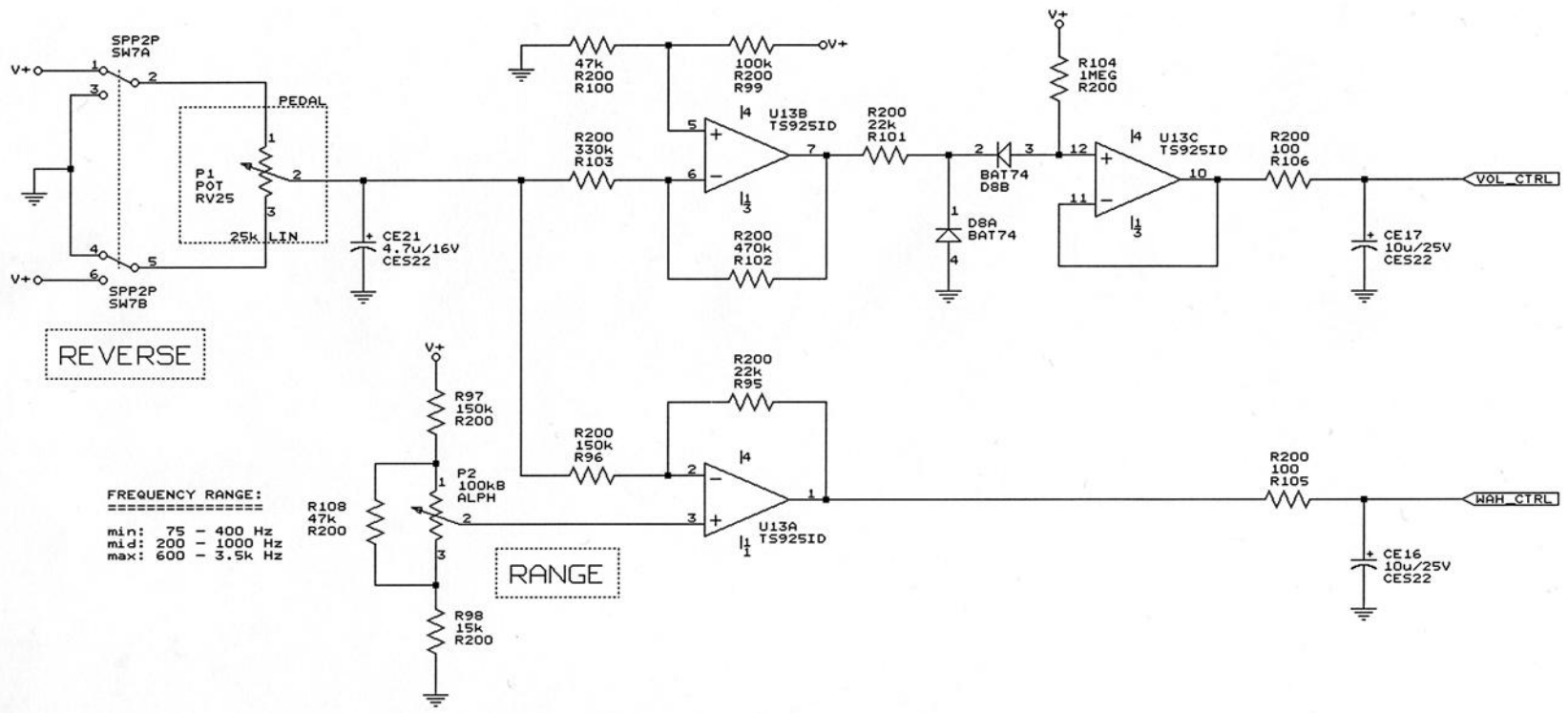
VOL

TUBE SIM

EBS SWEDEN AB
Framnasbacken 12
SE-171 66 SOLNA
SWEDEN
TEL. +46-8-7350010 FAX. +46-8-7350015

Title		
EBS BLACK LABEL WahOne PEDAL		
Size	Document Number	REV
A	BL_WAH1.	A
Date:	February 13, 2006	Sheet 2 of 3

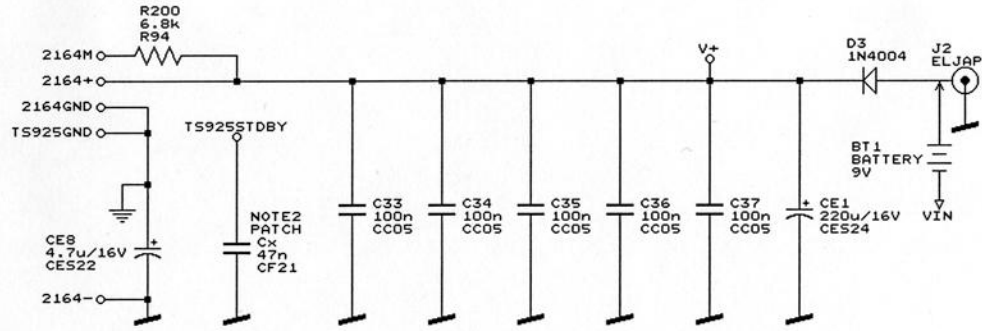
* = FOR EXTENDED FREQUENCY RANGE > 3.5kHz



REVERSE

FREQUENCY RANGE:
 =====
 min: 75 - 400 Hz
 mid: 200 - 1000 Hz
 max: 600 - 3.5k Hz

RANGE



! WARNING !

UNAUTHORIZED COPYING
 OF THIS OR PARTS OF THIS
 DOCUMENT IS PROHIBITED
 AND MAY LEAD TO LEGAL
 PROCEDURES IN ACCORDANCE
 WITH THE COPYRIGHT LAWS.

EBS SWEDEN AB		
Framnasbacken 12		
SE-171 66 SOLNA		
SWEDEN		
TEL.+46-8-7350010 FAX.+46-8-7350015		
Title EBS WahOne PEDAL		
Size	Document Number	REV
A	BL_WAH2.	A
Date: February 13, 2006 Sheet 3 of 3		