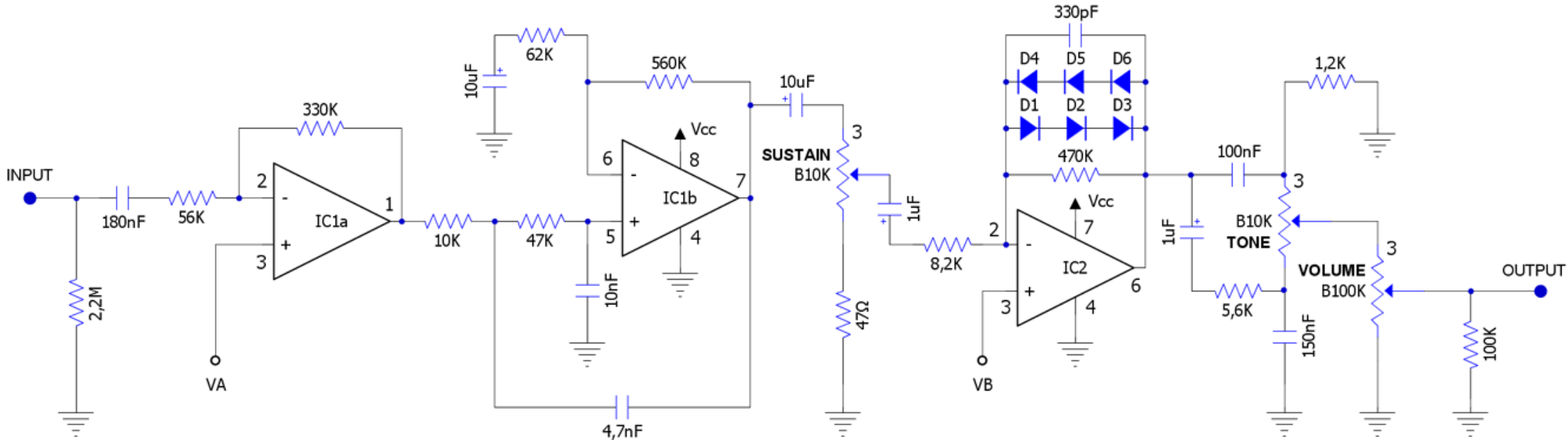


# Big Muff PI '77 OpAmp

IC1 is JRC4558, IC2 is LM741

D1-D6 are 1N4148

Note : If FET opamp is used for IC2 (ie TL071), swap 820K \* for 1M



Schematic / Layout by DoitFuzz.com © 2020  
 All rights reserved. Authorisation for personal use only.  
 Any commercial use is forbidden.  
 Permission refused for posting from other sites.