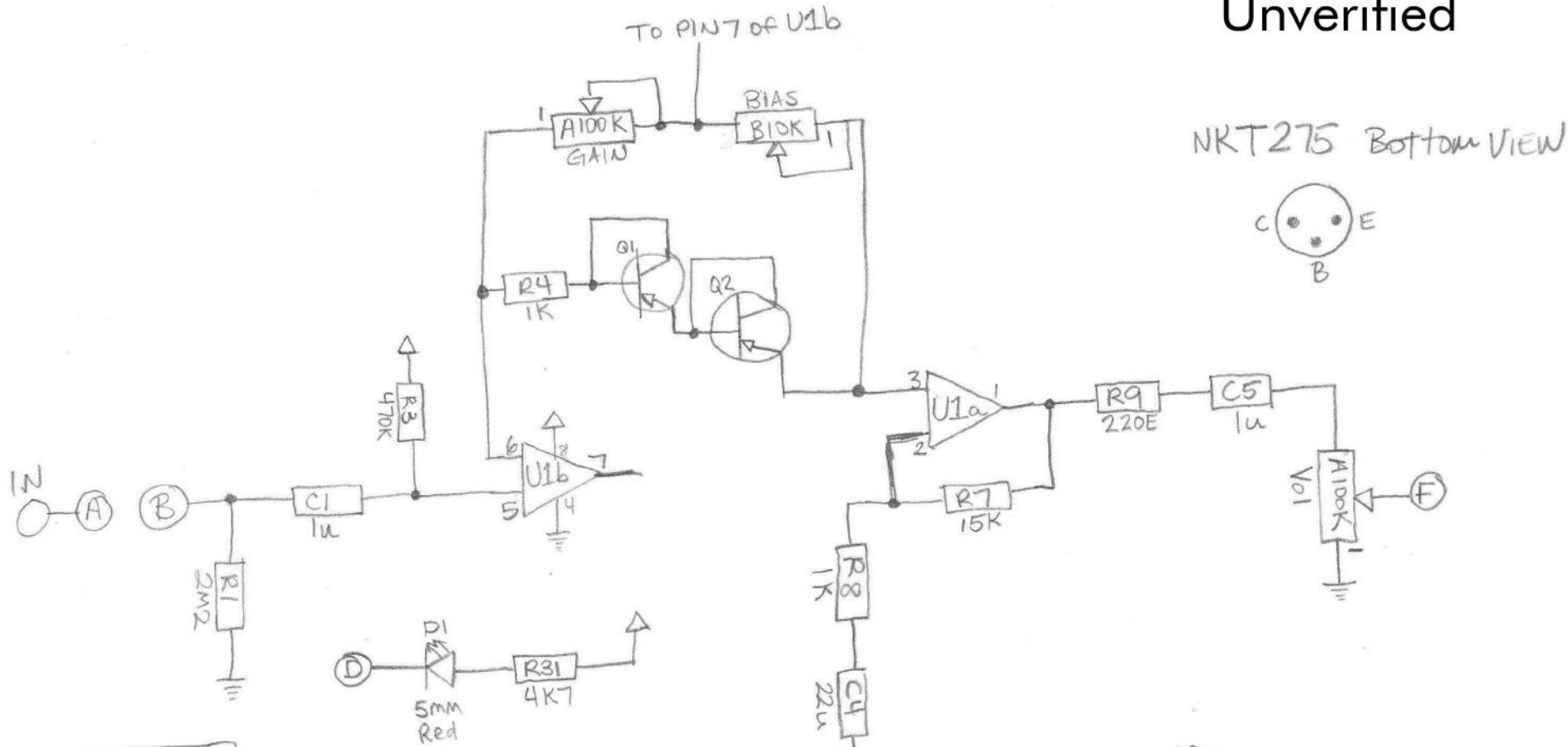


BIG MUFF GERMANIUM⁴ DISTORTION SIDE

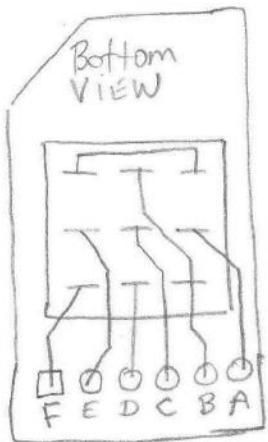
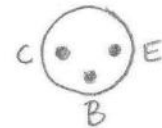
EC-D66 REV.B

11-16-2012
B. DAKLEY

Unverified

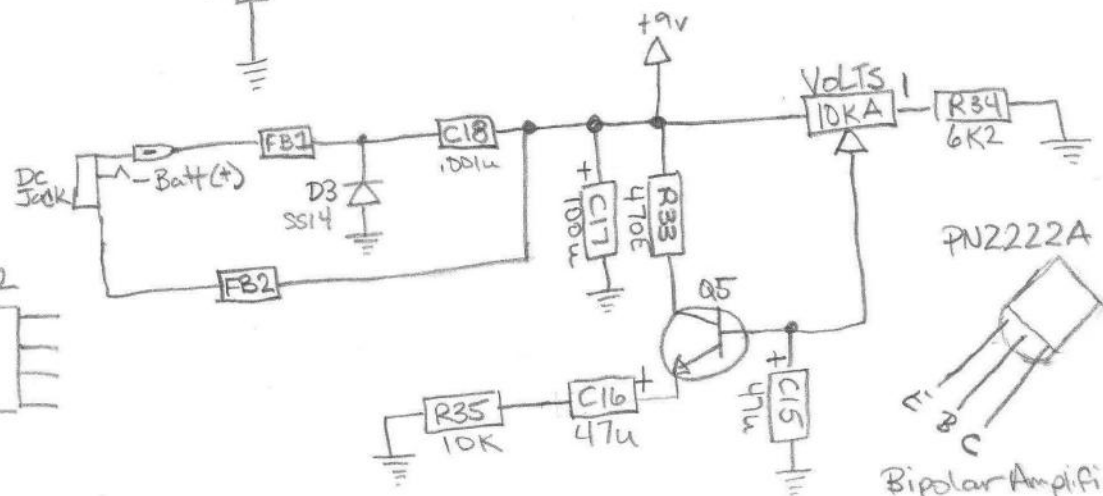


NKT275 Bottom View

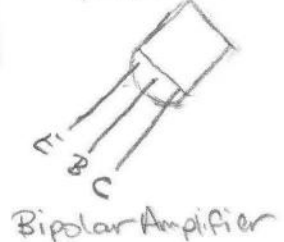


C - GND
E - To DD switch (G)

U1 - TL072
Q1-2 - NKT275



PN2222A



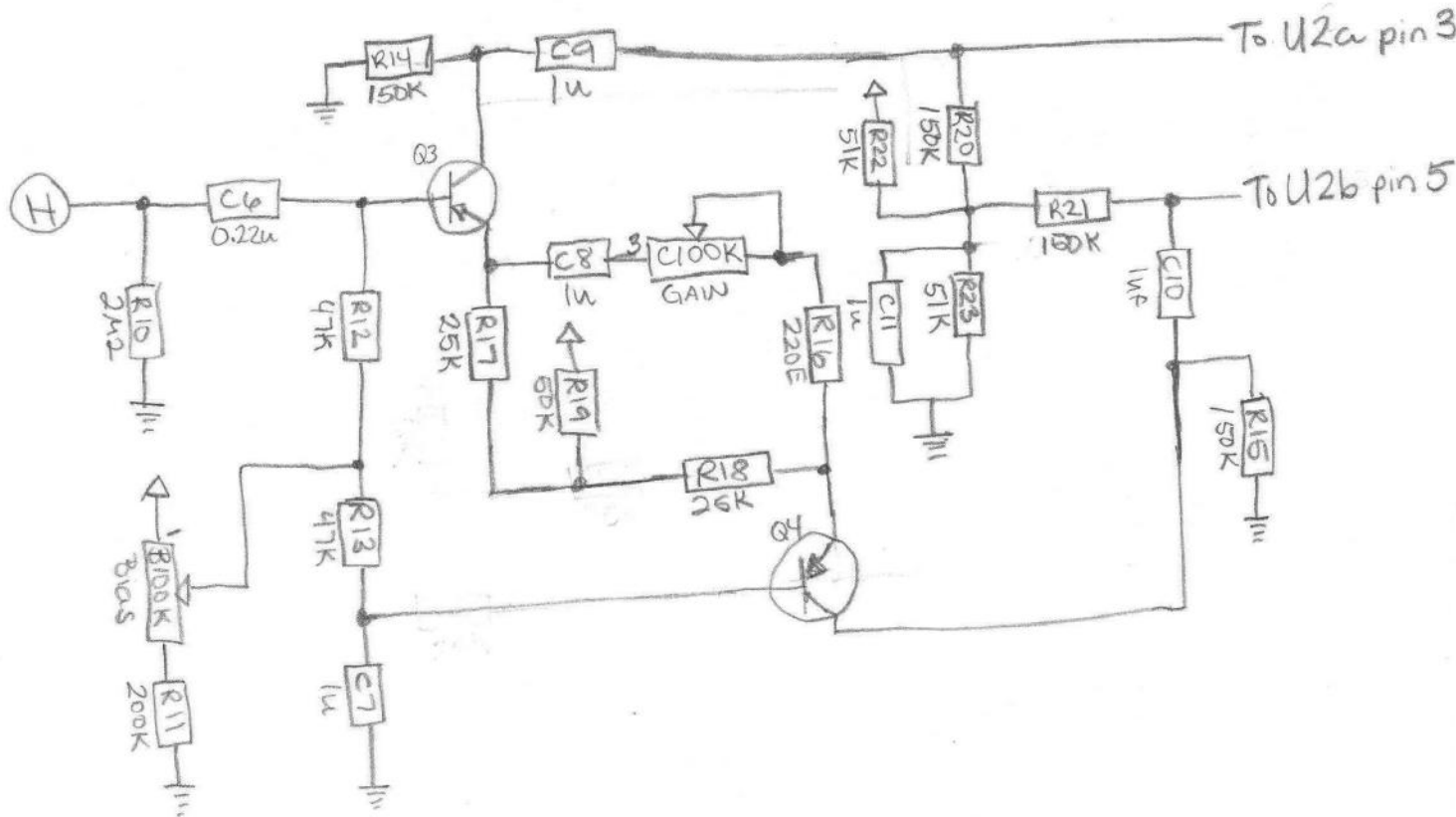
Bipolar Amplifier

BIG MUFF GERMANIUM OVERDRIVE SIDE EC-D66 Rev. B

11-16-2012

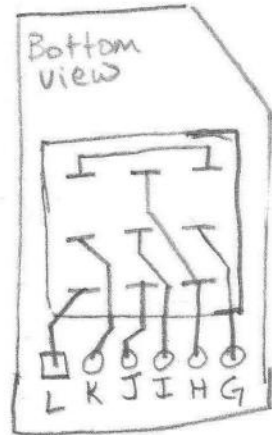
B. Oakley

Unverified

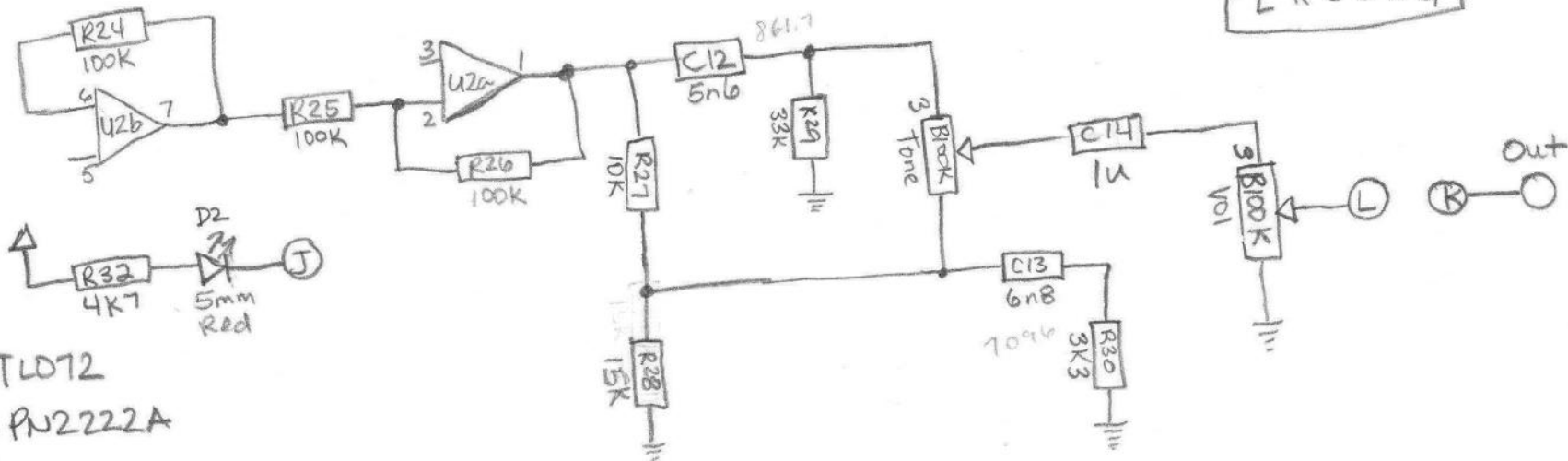


To U2a pin 3

To U2b pin 5



I-GND
G-IN From
Dist
Switch



Out

U2-TL072
Q3-Q4-PN2222A

