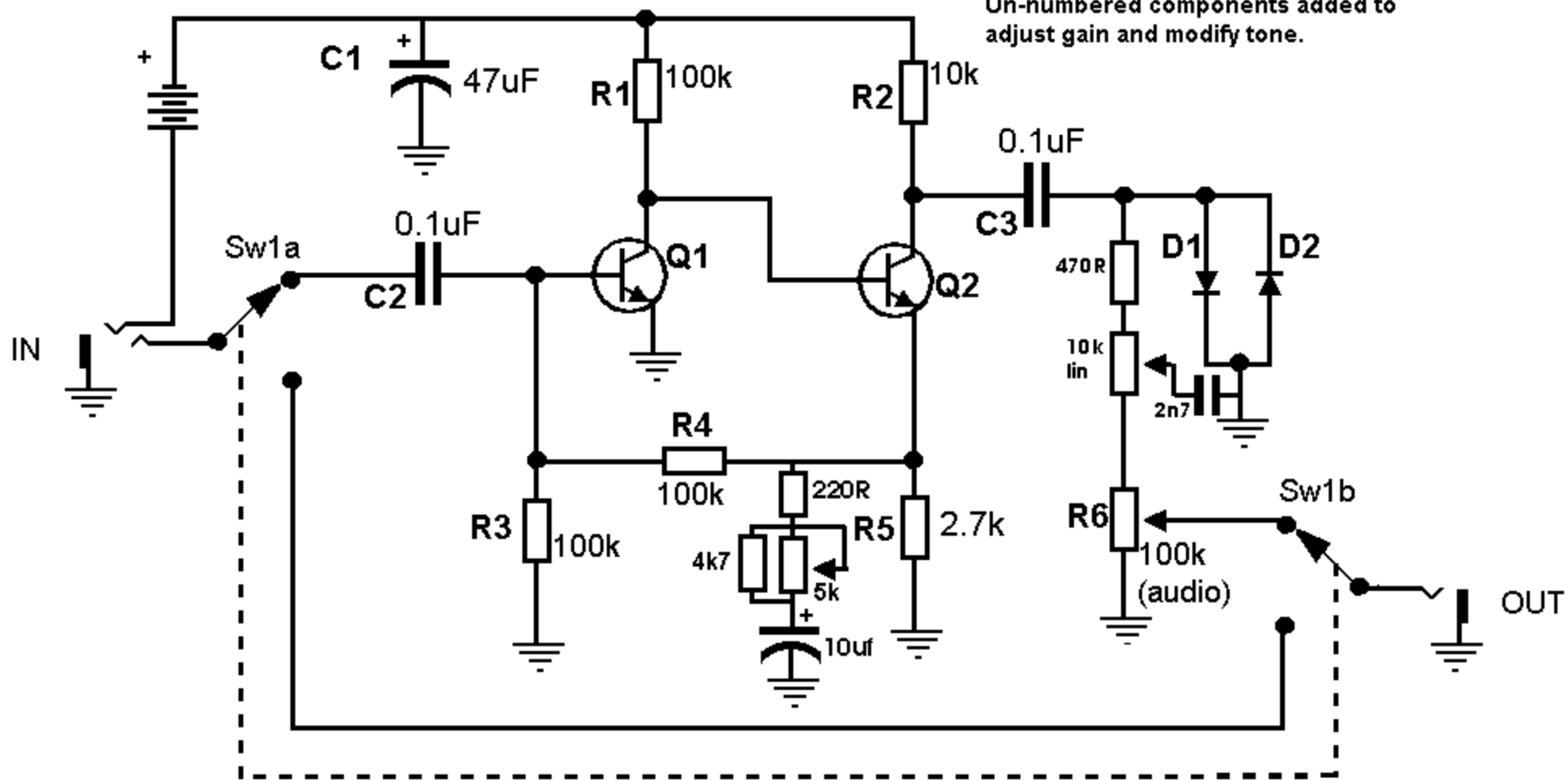


Muff Fuzz

Original drawn by JD Sleep, 1999
Mods added by Mark Hammer - 2009

Un-numbered components added to
adjust gain and modify tone.



This is the Muff Fuzz with true bypass switching. The transistors are 2N5088 or 2N5089 and the diodes are 1N914/1N4148 or 1N34A.