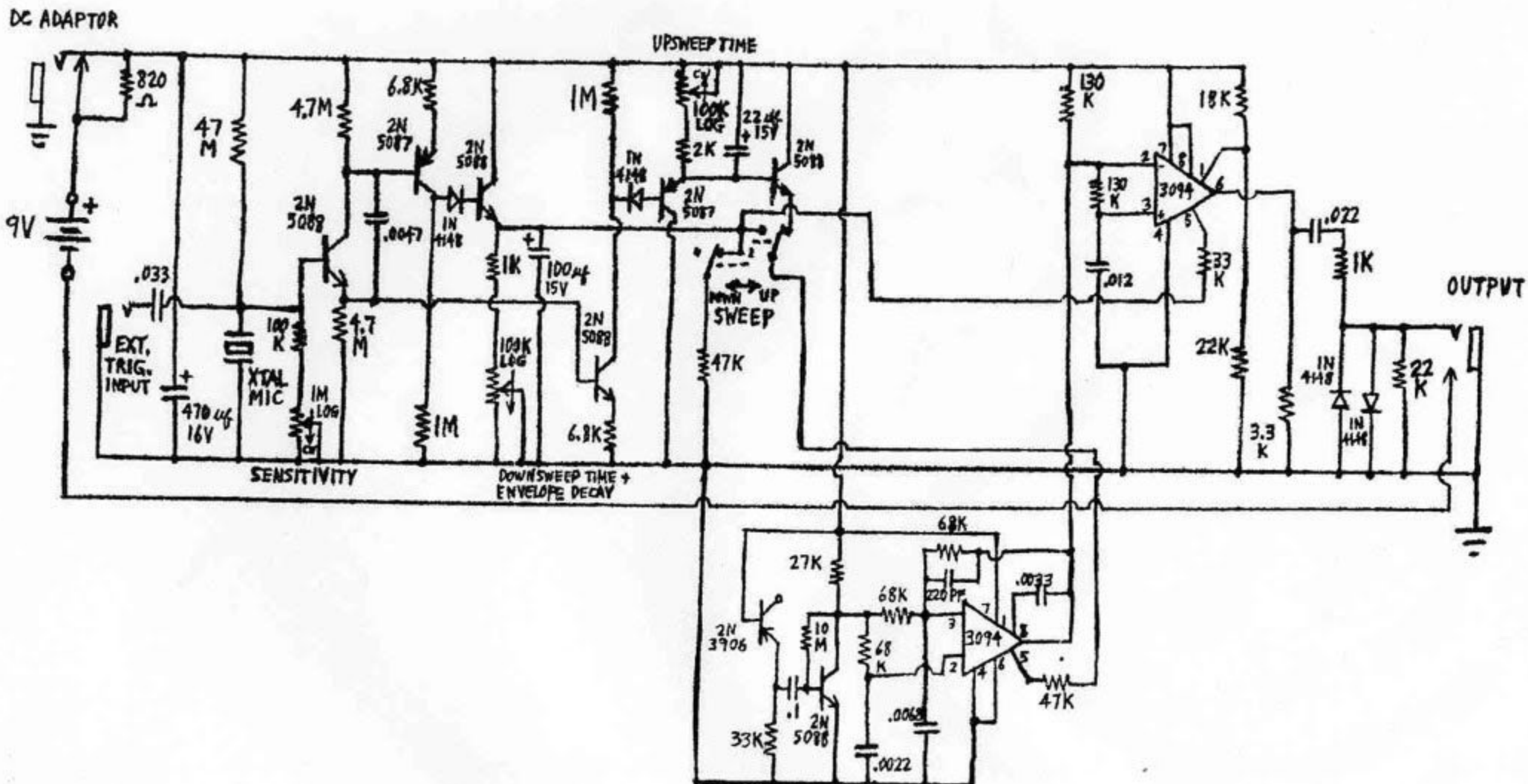


I.D.

Percusser

12/21/79



ALL R'S \pm W 5%, NON-LYTIC
C'S .10%