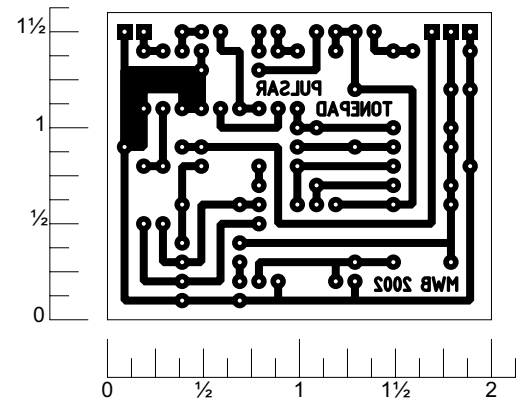
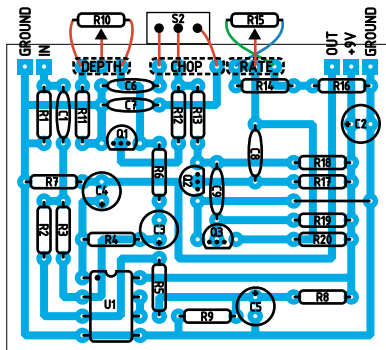


This circuit is a workalike of the ultra-rare Electro Harmonix Pulsar tremolo pedal. Jacks and bypass switch are not shown on the layout. Any registered trademarks remain the property of their owners. Visit [tonepad.com](http://tonepad.com) for more information on this project.



READY TO TRANSFER

### Resistors

- R1 - 1M
- R2, R7, R18, R20 - 47k
- R3, R9 - 30k
- R4 - 33k
- R5 - 39k
- R6, R11 - 10k
- R8 - 27k
- R10, R15 - 100k log pot

R12, R13 - 200k

- R14 - 68k
- R16 - 1k1
- R17 - 2M2
- R19 - 330k

### Capacitors

- C1 - 0.1uF
- C2 - 47uF electro
- C3 - 4.7uF electro

C4 - 1uF electro

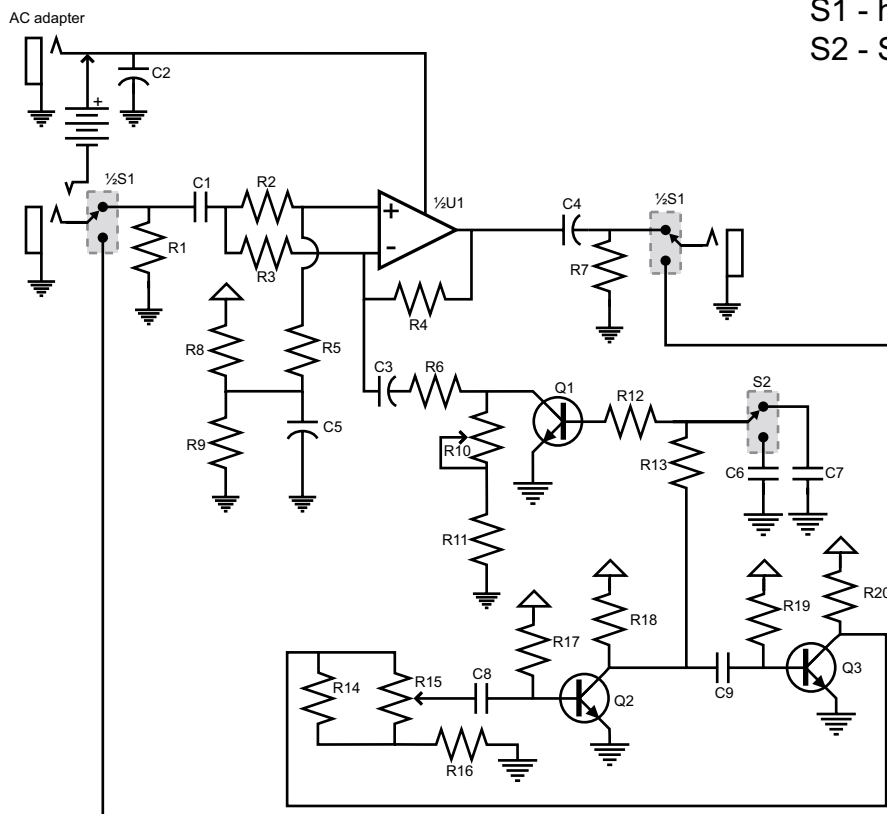
- C5 - 22uF electro
- C6 - 0.22uF
- C7 - 0.022 uF
- C8, C9 - 0.47 uF

### Semiconductors

- Q1, Q2, Q3 - 2N5088
- U1 - TL072

### Switches

- S1 - heavy-duty DPDT
- S2 - SPDT toggle or stomp switch



Layout and presentation by Matthew Burnside 2002®.  
 All rights reserved. Authorization for personal use only,  
 three units maximum. Any commercial use is forbidden.  
 Permission for posting/serving limited to  
<http://www.tonepad.com>  
 Redistribution or retransmission expressly prohibited.