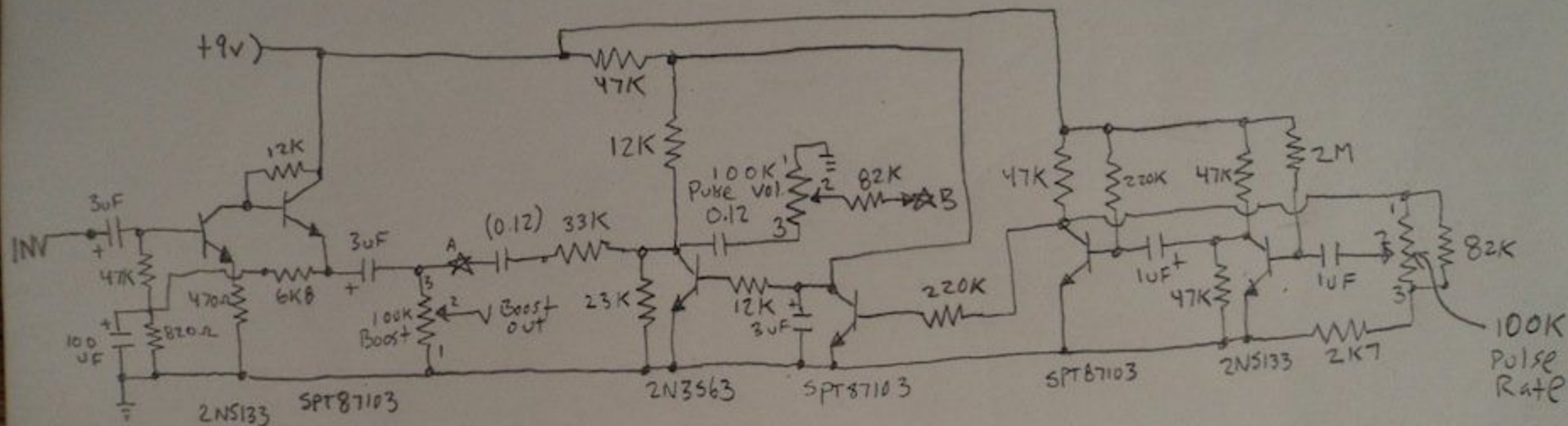
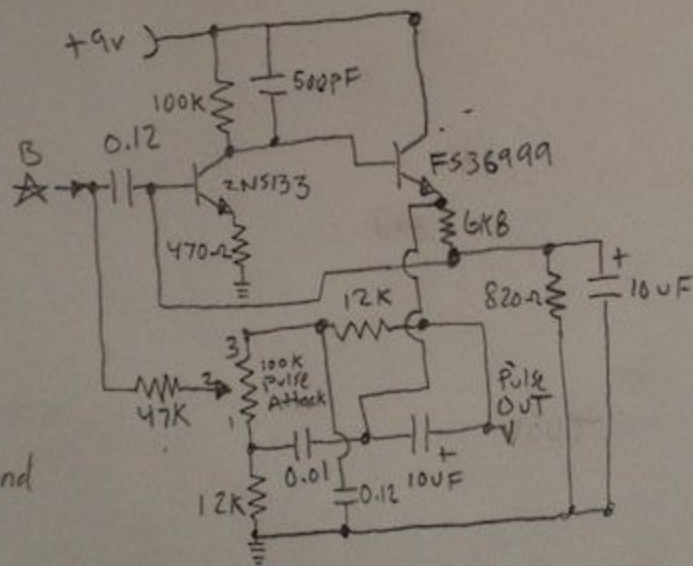


# EH Pulse Modulator



## wiring notes:

- Boost out is wired directly to boost out jack.
- Pulse out is wired to footswitch, with the other switch lug connected to pulse sound out jack. Footswitch goes between pulse sound and no sound at all in a SPST setup.



## circuit Notes:

- A\* → B\* = Add 3 of these circuits in parallel for original design
- 3 82K resistors from wipers of pulse vol. pots meet at the B\* point to output amp and tone control.
- (0.12) after A\* is 0.022 in one of the 3 pulse circuits. (Far Right on original)