

Hoowf

Modified Violet Era Big Muff Clone

www.BigMuffPage.com

Q1/4 Silicon transistors • Q2/3 Germanium transistors

D1-4 are LED diodes, 5mm clear or red

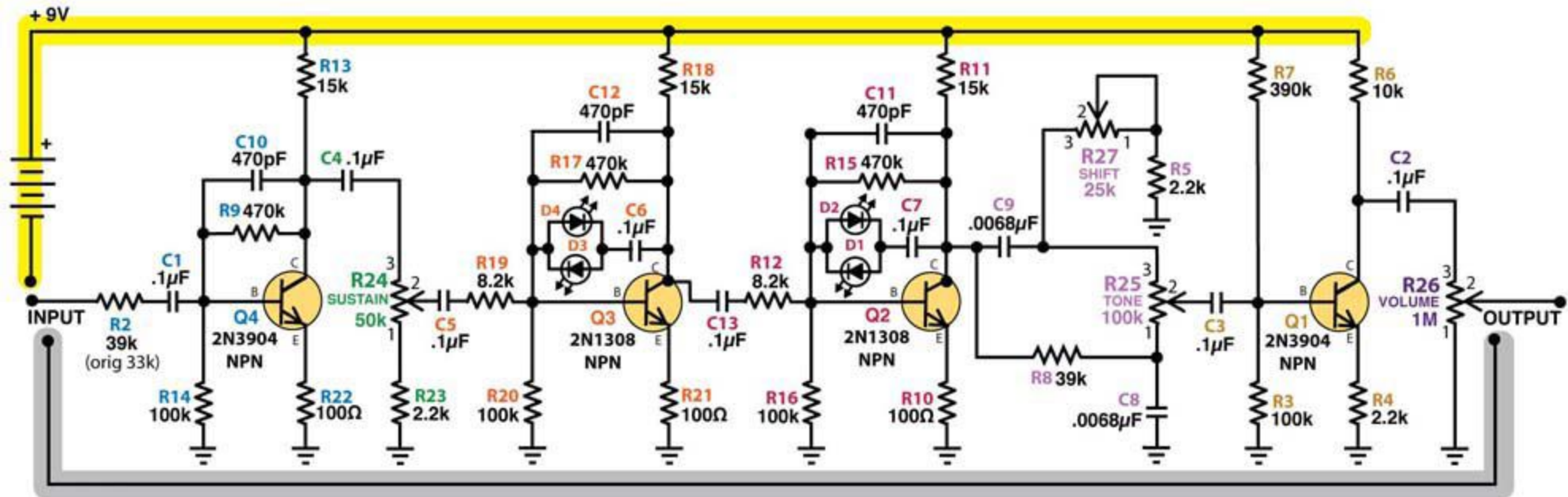
Metal film resistors

.1 μ F caps are film • 470pF caps are ceramic

R24/25/27 are linear taper potentiometers and R26 is a logarithmic taper



Circuit traced by Kit Rae. © Kit Rae



Clone of a violet era Ram's Head Big Muff circuit, circa 2007, with mods to the clipping and tone stages. Standard Silicon clipping diodes have been replaced with LED's, and Germanium transistors in the two clipping stages, give a different voice to the tone. LED's compress the signal less than Silicon, resulting in lower volume and a slightly cleaner and brighter distortion. These two mods result in a slightly grittier, sputtery distortion. The Shift control is based on the AMZ tone/presence control mod, which alters the mid range scoop and bass cut, giving a wide range of tonal adjustment.