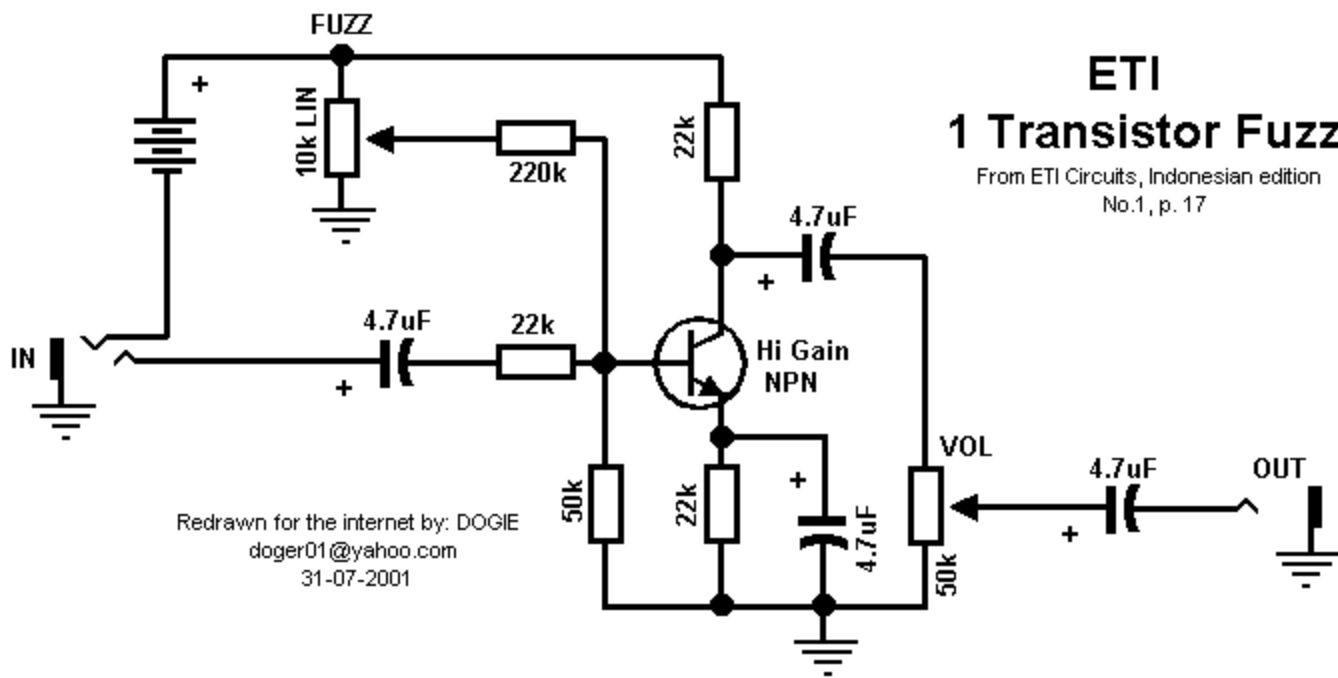


# ETI 1 Transistor Fuzz

From ETI Circuits, Indonesian edition  
No.1, p. 17



Redrawn for the internet by: DOGIE  
doger01@yahoo.com  
31-07-2001