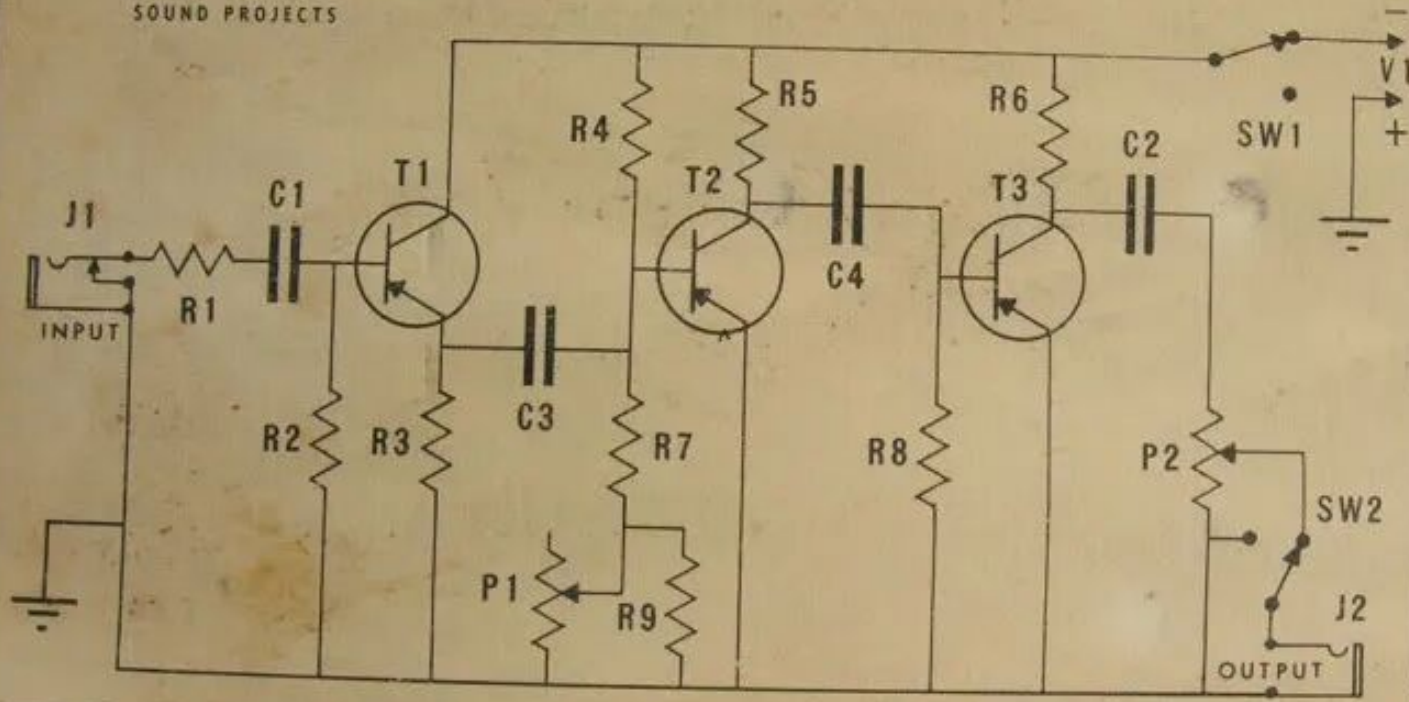


Lectrolab

SOUND PROJECTS



FUZZ BUZZ

PARTS LIST

R1	100 K	1/4	WATT
R2	1 MEG	1/4	WATT
R3	10 K	1/4	WATT
R4	470 K	1/4	WATT
R5	10 K	1/4	WATT
R6	10 K	1/4	WATT
R7	2200 OHM	1/4	WATT
R8	10 K	1/4	WATT
R9	22 K	1/4	WATT
C1	.01 MFD	400	VDC
C2	.0047 MFD	400	VDC
C3	1 MFD	6	VDC
C4	1 MFD	6	VDC
P1	50 K	FUZZ CONTROL	
P2	50 K	VOLUME CONTROL	
J1	CLOSED CIRCUIT	INPUT JACK	
J2	OUTPUT	JACK	
V1	AA	1.5 V PENLIGHT BATT.	
T1	2N2613, 14	TRANSISTOR	
T2	2N2613, 14	TRANSISTOR	
T3	2N2613, 14	TRANSISTOR	
SW1	ON OFF	SLIDE SWITCH	
SW2	FOOT	PUSH SWITCH	